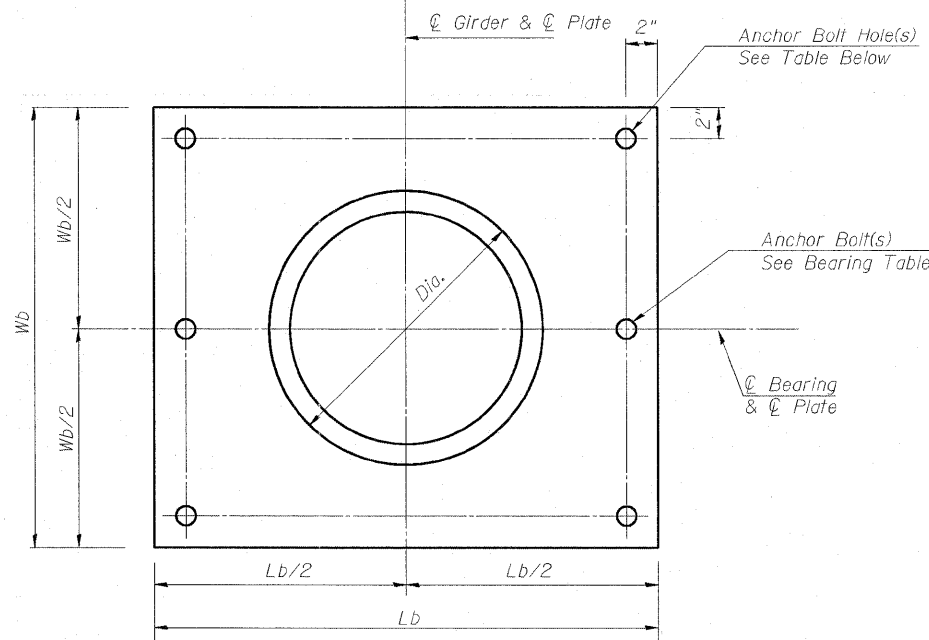
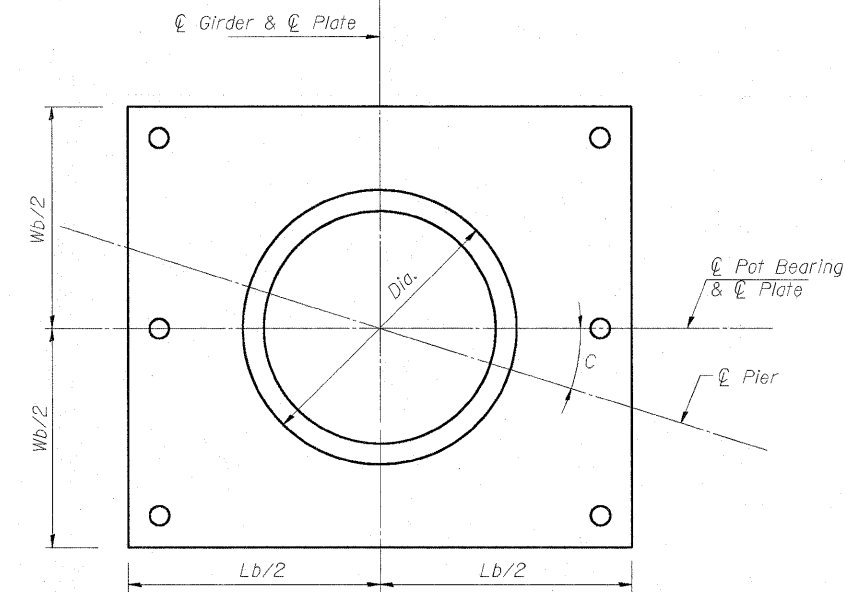


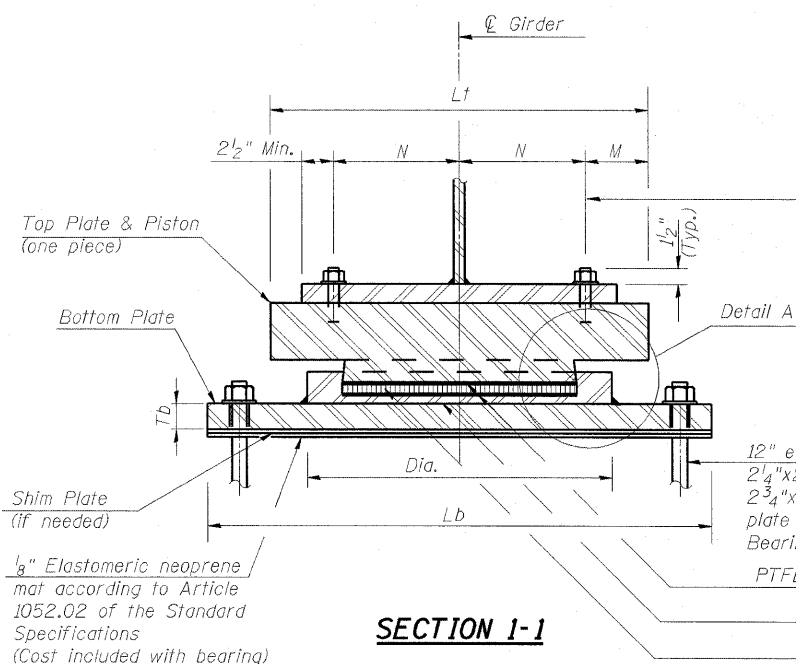
TOP BEARING PLATE AND PISTON PLAN



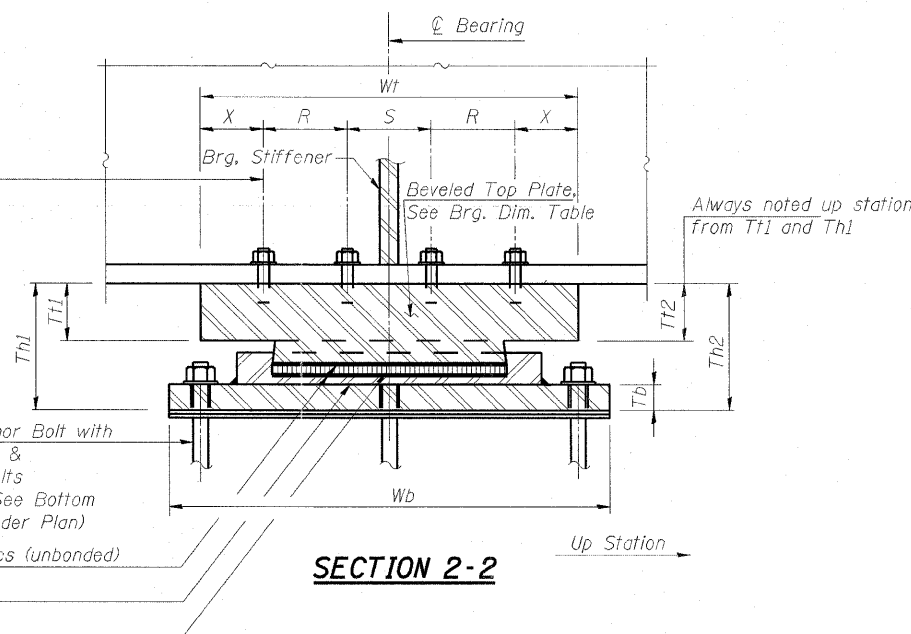
BOTTOM BEARING PLATE AND BASE CYLINDER PLAN @ 90° PIERS



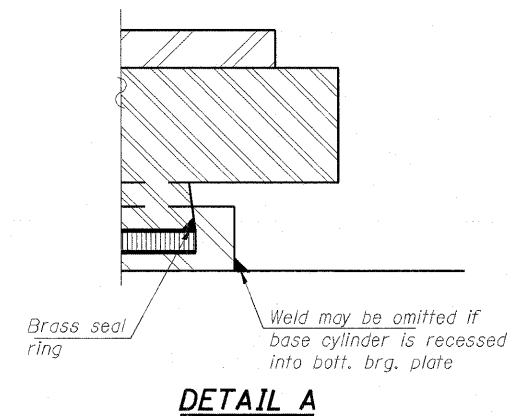
BOTTOM BEARING PLATE AND BASE CYLINDER PLAN PIERS 2 & 5



SECTION 1-1



SECTION 2-2



DETAIL A

BASE PLATE HOLE TABLE

Anchor Bolt ϕ	Max. Hole ϕ
1"	1 1/2"
1 1/2"	1 3/4"

Notes:
 The Structural Steel for the top & bottom bearing plates shall be AASHTO M270 Grade 50.
 For anchor bolt type and details see Bearing Dimensions Table.
 Top & bottom plates, threaded studs, washers & shim plates are included in the cost of the Bearings.
 Anchor bolts for bearings shall be placed in holes drilled in the concrete through holes in the bottom bearing plate after members are in place.
 Drilled and set anchor bolts shall be installed according to Article 521.06 of the Standard Specifications.
 Two 1/8 in. adjusting shims shall be provided for each bearing in addition to all other plates or shims and placed as shown on bearing details.



USER NAME =	DESIGNED - LLV	REVISED -
PLOT SCALE = 8/2" = 1' IN.	DRAWN - BRD	REVISED -
PLOT DATE = 6/27/2011	CHECKED - PJL	REVISED -
	DATE - 07-01-11	REVISED -

STATE OF ILLINOIS
DEPARTMENT OF TRANSPORTATION

FIXED POT BEARING ASSEMBLIES - I
I-70E OVER I-55, CSX & KCS RAILROADS

SCALE: SHEET S-137 OF S-234 SHEETS STA. TO STA.

F.A.I. RTE. 70	SECTION 82-1-B-2	COUNTY ST. CLAIR	TOTAL SHEETS 399	SHEET NO. 264
S.N. 082-0322 & S.N. 082-0324		CONTRACT NO. 76C76		
FED. ROAD DIST. NO. ILLINOIS FED. AID PROJECT				