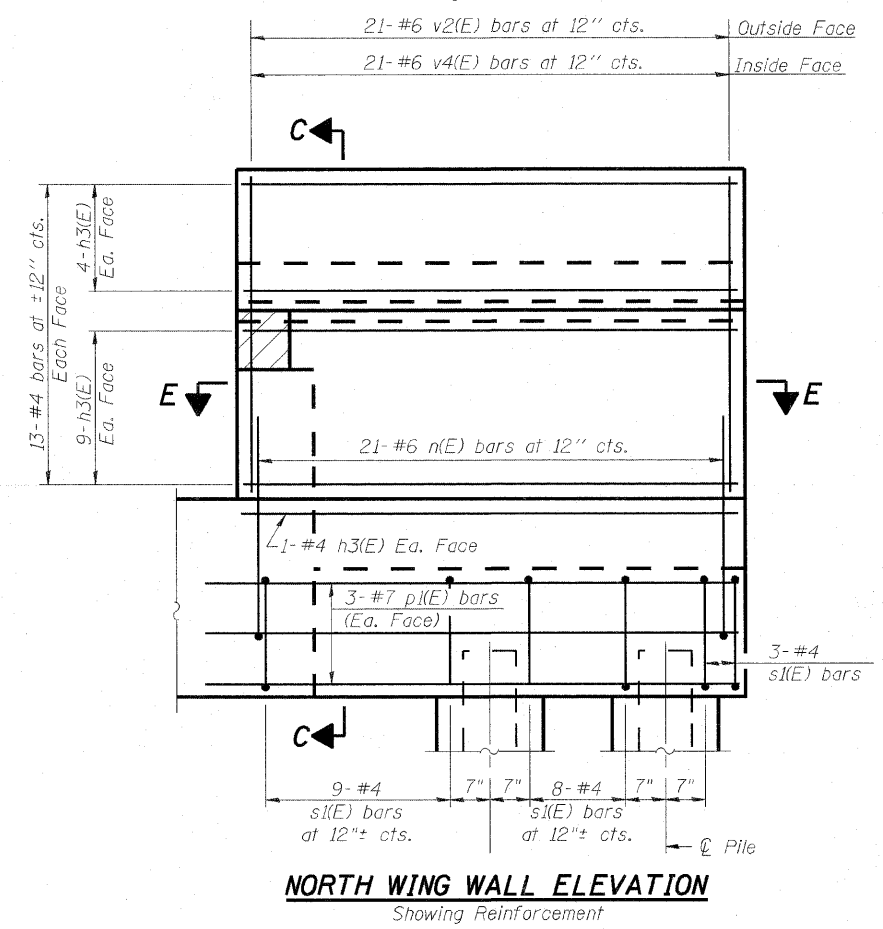
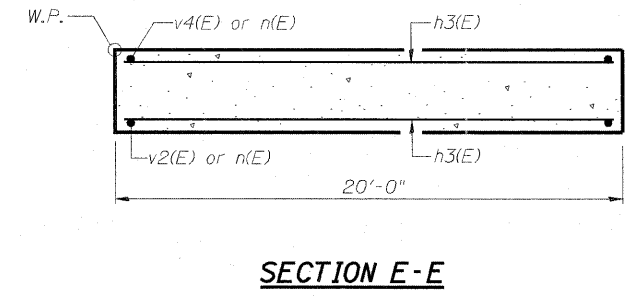
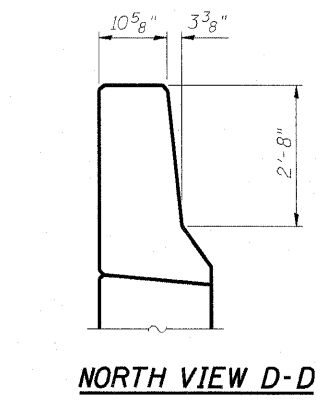
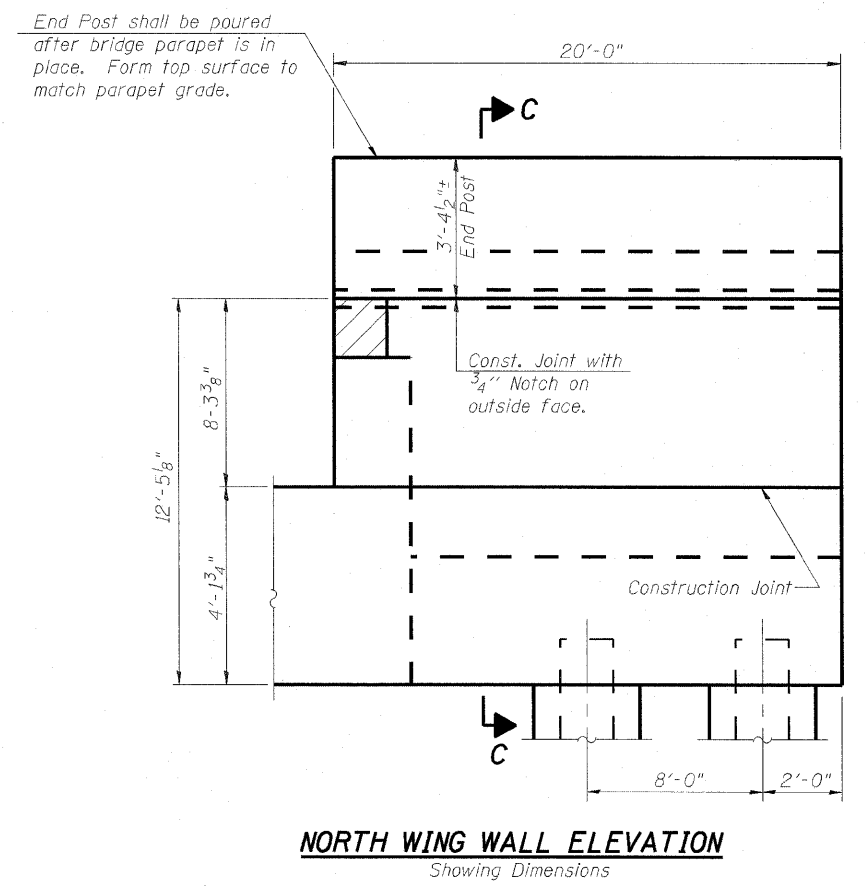
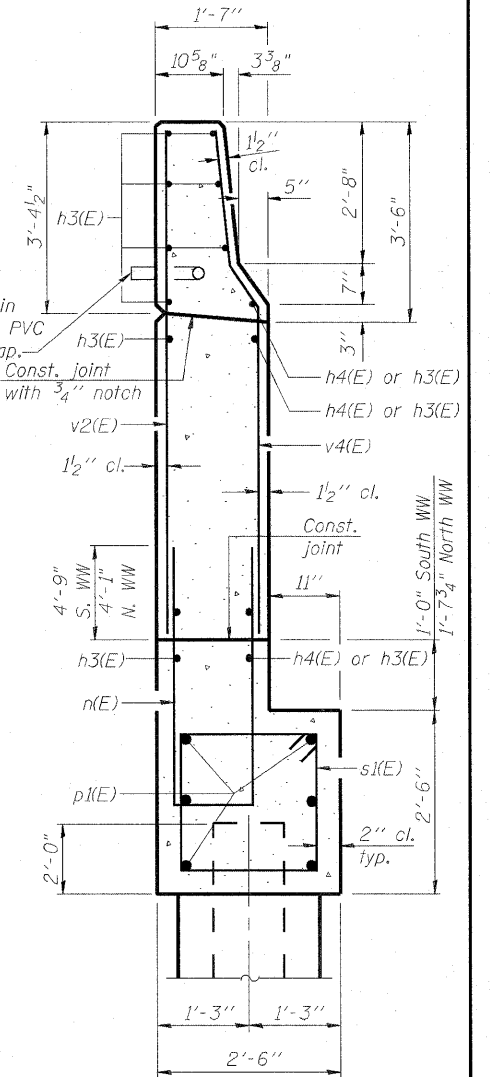
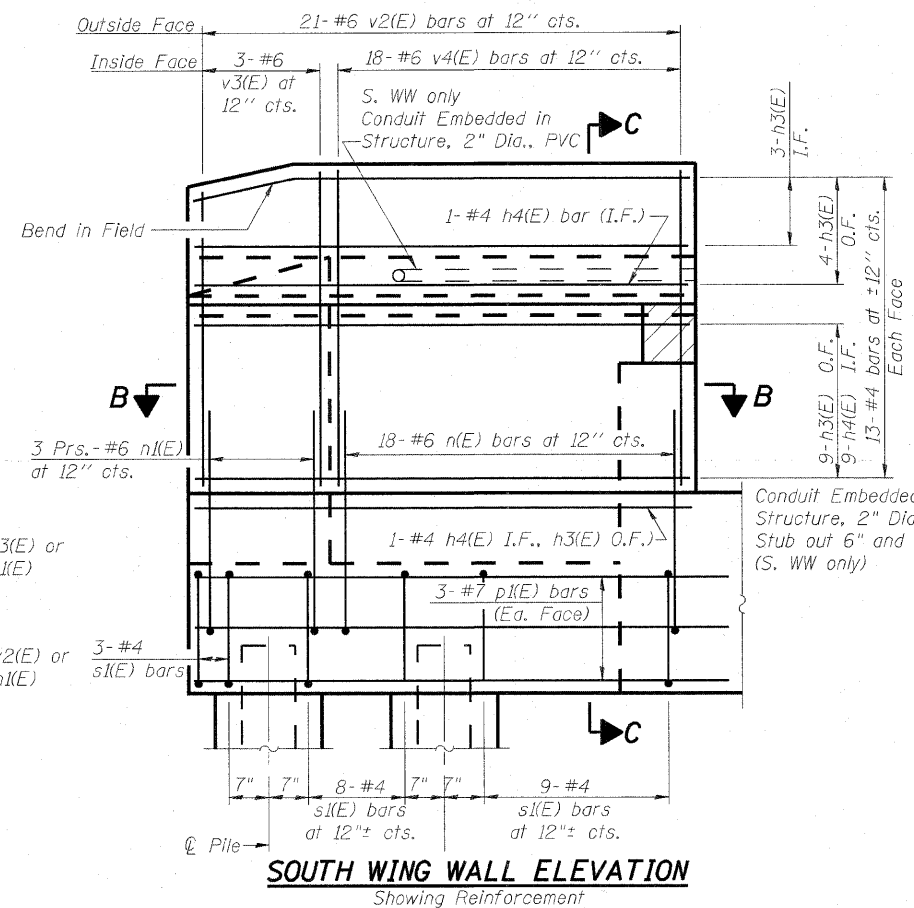
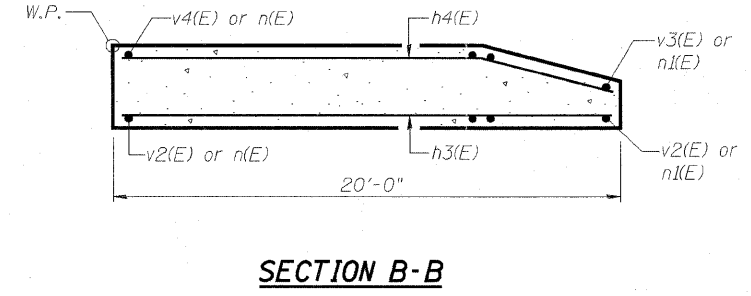
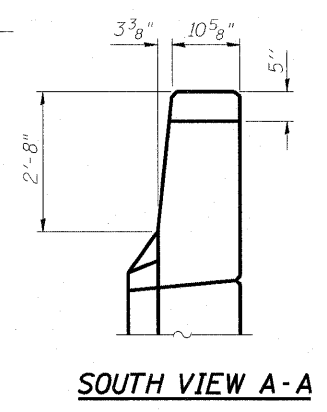
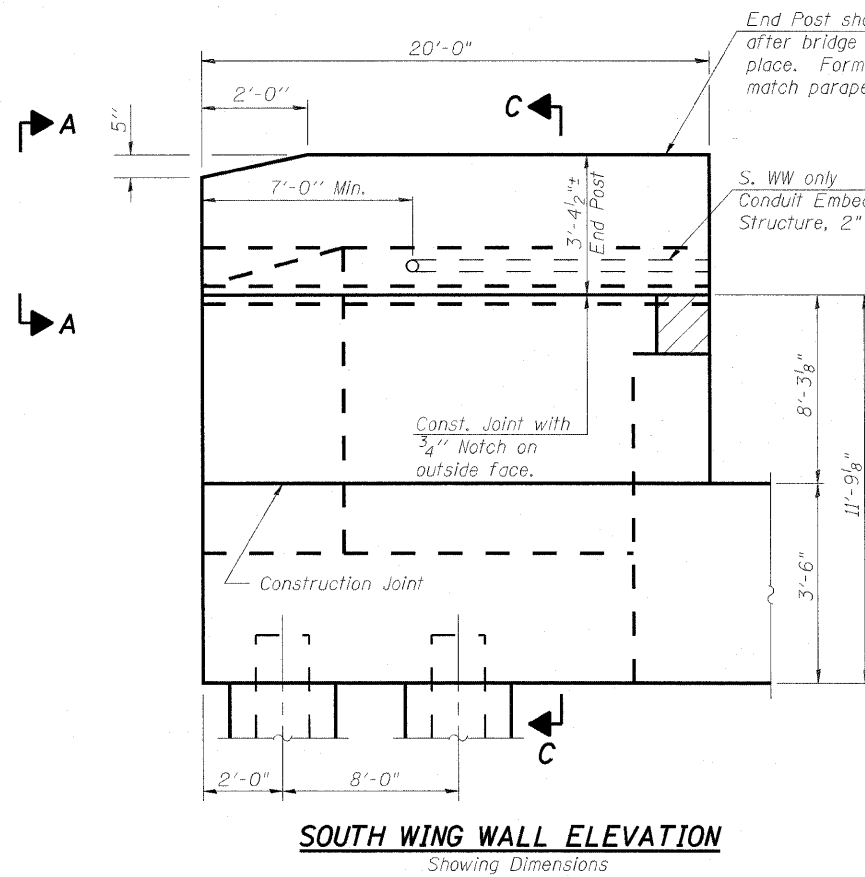


I:\projects\80846509\80846509-082-0322 & 0324\Figures\1988.cad\901.dwg; 1760808\_master.comps\addted\structural\082-0322-0324-76C76-5F93-0322.tbl; 3-dim



USER NAME =	DESIGNED - DDB	REVISED -
PLOT SCALE = 0/2" = 1' IN.	DRAWN - BRD	REVISED -
PLOT DATE = 5/27/2011	CHECKED - LLV	REVISED -
	DATE - 07-01-11	REVISED -

**STATE OF ILLINOIS**  
**DEPARTMENT OF TRANSPORTATION**

**ABUTMENTS - S.N. 082-0322 - W. ABUTMENT - DETAILS**  
**I-70E OVER I-55, CSX & KCS RAILROADS**

SCALE: SHEET S-141 OF S-234 SHEETS STA. TO STA.

F.A.I. RTE. TO	SECTION 82-1-B-2	COUNTY ST. CLAIR	TOTAL SHEETS 399	SHEET NO. 268
S.N. 082-0322 & S.N. 082-0324		CONTRACT NO. 76C76		
FED. ROAD DIST. NO.		ILLINOIS FED. AID PROJECT		