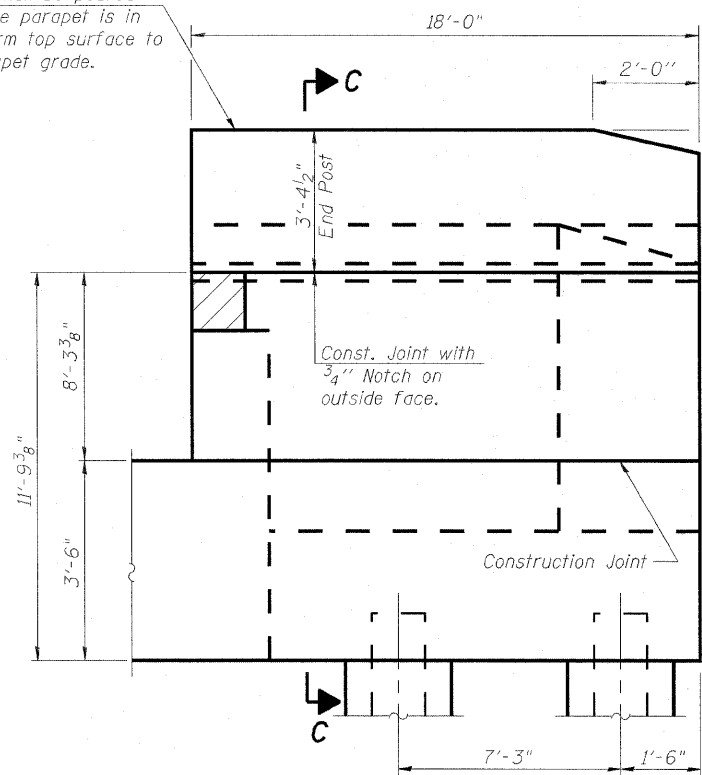
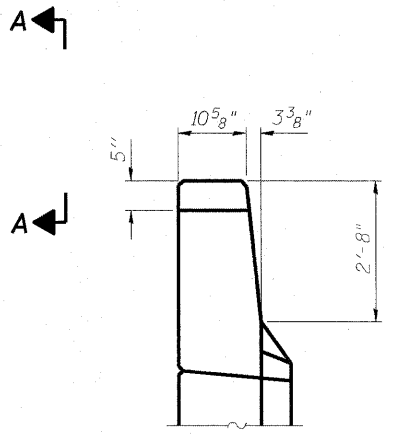


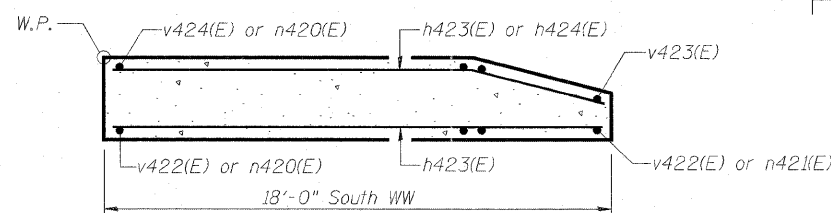
End Post shall be poured after bridge parapet is in place. Form top surface to match parapet grade.



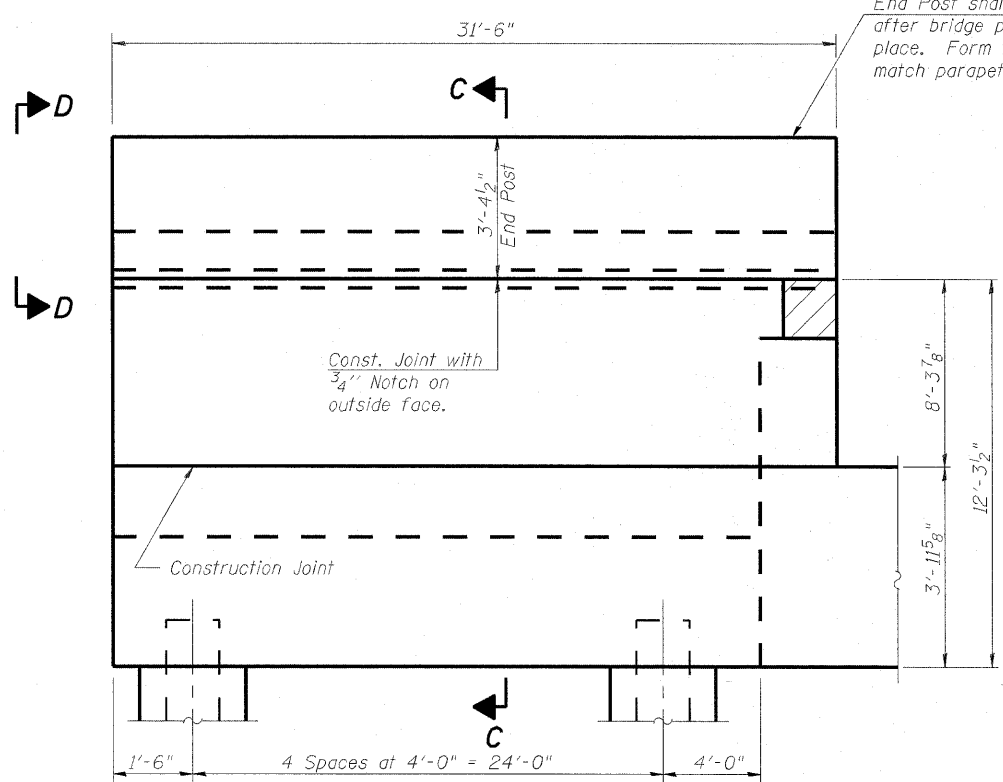
SOUTH WING WALL ELEVATION
Showing Dimensions



SOUTH VIEW A-A

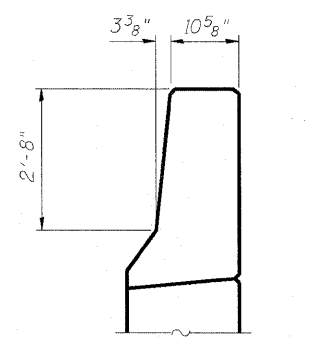


SECTION B-B

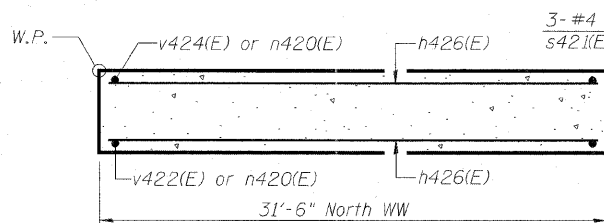


NORTH WING WALL ELEVATION
Showing Dimensions

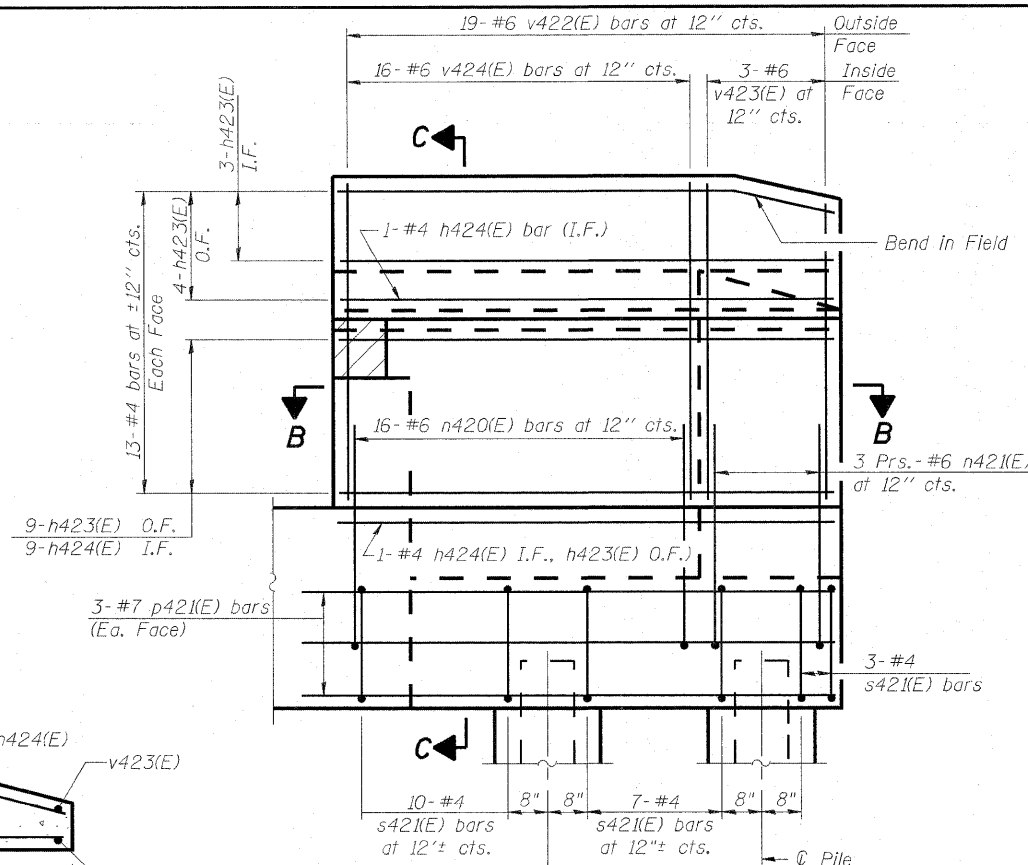
End Post shall be poured after bridge parapet is in place. Form top surface to match parapet grade.



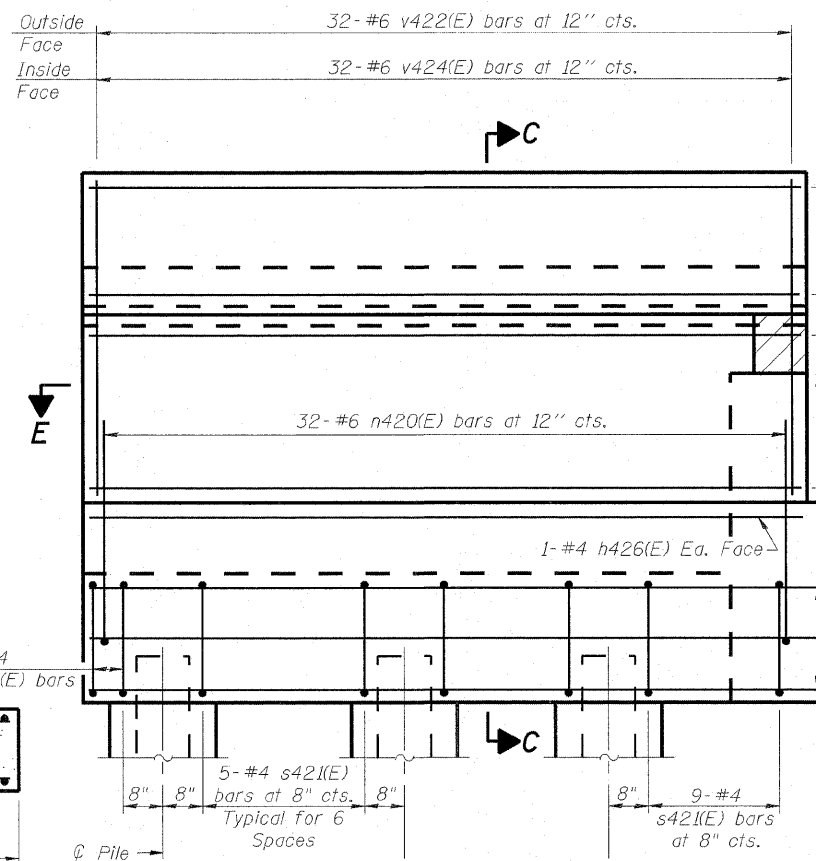
SOUTH VIEW D-D



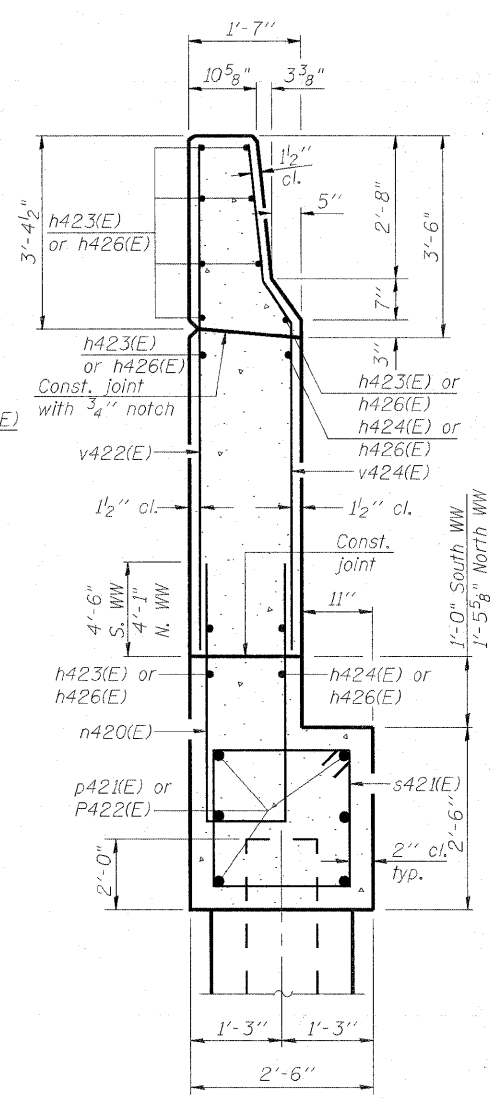
SECTION E-E



SOUTH WING WALL ELEVATION
Showing Reinforcement



NORTH WING WALL ELEVATION
Showing Reinforcement



SECTION C-C



USER NAME =	DESIGNED - DDB	REVISED -
PLOT SCALE = 0/2" = 1' / IN.	DRAWN - BRD	REVISED -
PLOT DATE = 6/27/2011	CHECKED - LLV	REVISED -
	DATE - 07-01-11	REVISED -

STATE OF ILLINOIS
DEPARTMENT OF TRANSPORTATION

ABUTMENTS - S.N. 082-0324 - E. ABUTMENT - DETAILS
I-70E OVER I-55, CSX & KCS RAILROADS

SCALE: SHEET S-147 OF S-234 SHEETS STA. TO STA.

F.A.I. RTE. TO	SECTION 82-1-B-2	COUNTY ST. CLAIR	TOTAL SHEETS 399	SHEET NO. 274
S.N. 082-0322 & S.N. 082-0324		CONTRACT NO. 76C76		
FED. ROAD DIST. NO. ILLINOIS FED. AID PROJECT				