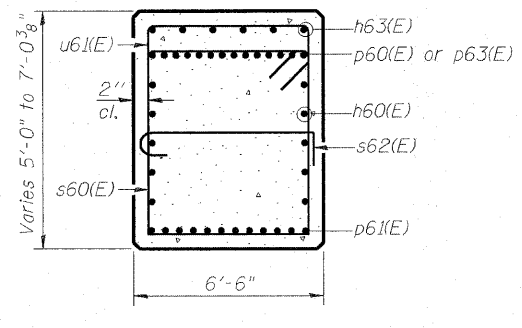
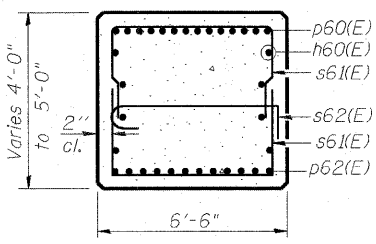


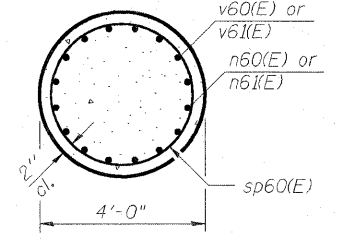
FOOTING PLAN



SEC. A-A

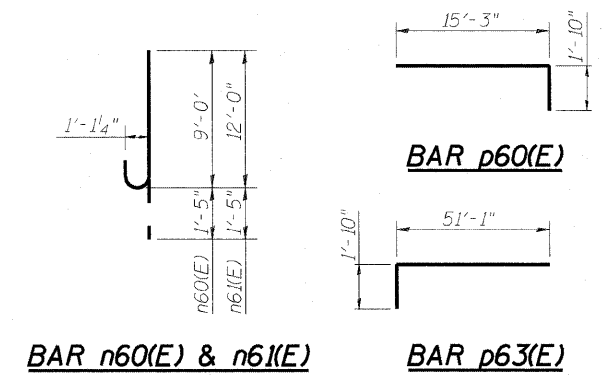


SEC. B-B

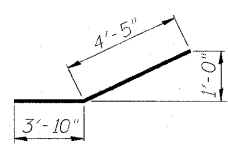


SEC. C-C

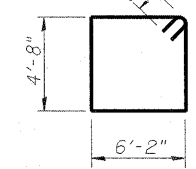
*Alternate Splice Locations
Min. Laps
#7 bar: 3'-7"
#8 bar: 4'-2"



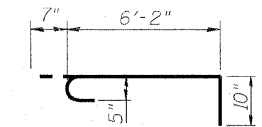
BAR n60(E) & n61(E) **BAR p60(E)**



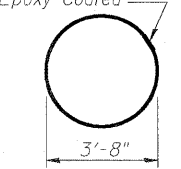
BAR p62(E)



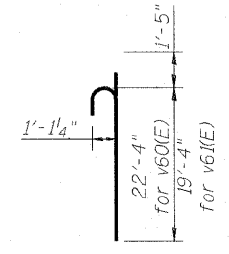
BAR s60(E)



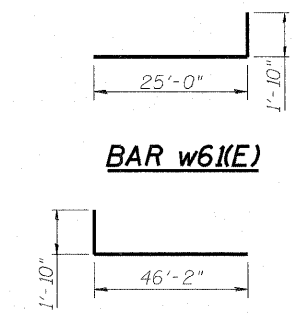
BAR s62(E)



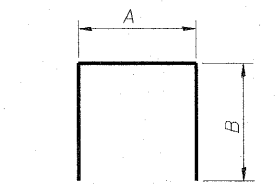
BAR s63(E)



BAR v60(E) or v61(E)

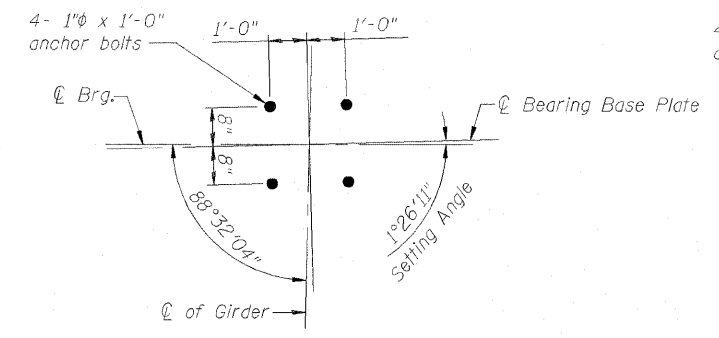


BAR w61(E) **BAR w63(E)**

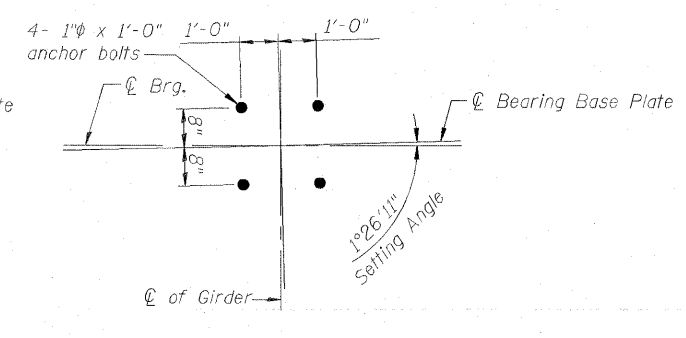


BARS A & B DIMENSIONS

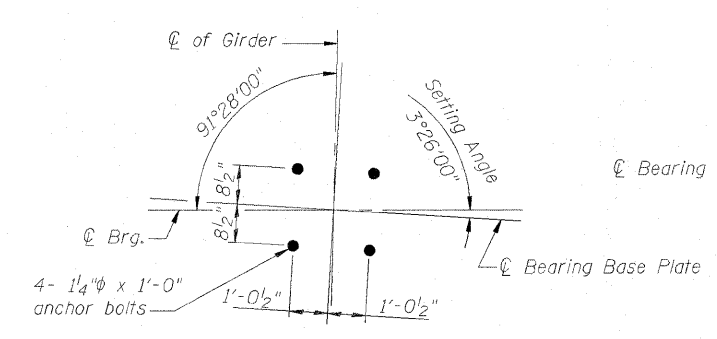
Bar	A	B
s61(E)	6'-2"	3'-8"
t61(E)	14'-8"	1'-10"
u60(E)	6'-2"	3'-0"
u61(E)	6'-1"	4'-0"



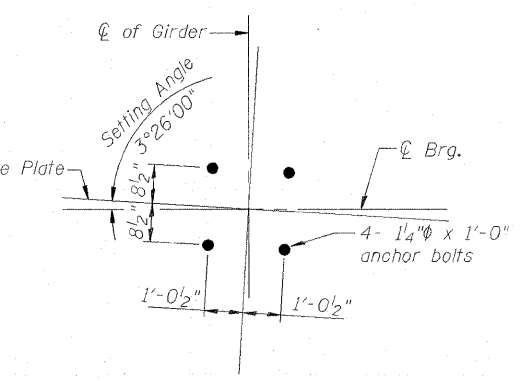
ANCHOR BOLT LOCATION DETAIL, GIRDERS 1 - 3
CL of BEARING STA. 56+84.50



ANCHOR BOLT LOCATION DETAIL, GIRDERS 4 - 8
CL of BEARING STA. 56+84.50



ANCHOR BOLT LOCATION DETAIL, GIRDERS 1 - 4
CL of BEARING STA. 56+87.50



ANCHOR BOLT LOCATION DETAIL, GIRDERS 7 - 9 & 11
CL of BEARING STA. 56+87.50



USER NAME =	DESIGNED - DDB	REVISED -
PLOT SCALE = 0.166667" / IN.	DRAWN - BRD	REVISED -
PLOT DATE = 6/30/2011	CHECKED - LLV	REVISED -
	DATE - 07-01-11	REVISED -

STATE OF ILLINOIS DEPARTMENT OF TRANSPORTATION

PIER - UNIT 1 - PIER 3 - DETAILS	
I-70E OVER I-55, CSX & KCS RAILROADS	
SCALE:	TO STA.
SHEET S-153 OF S-234 SHEETS	STA.

F.A.I. RTE. TO	SECTION 82-1-B-2	COUNTY ST. CLAIR	TOTAL SHEETS 399	SHEET NO. 280
S.N. 082-0322 & S.N. 082-0324		CONTRACT NO. 76C76		
FED. ROAD DIST. NO. ILLINOIS FED. AID PROJECT				