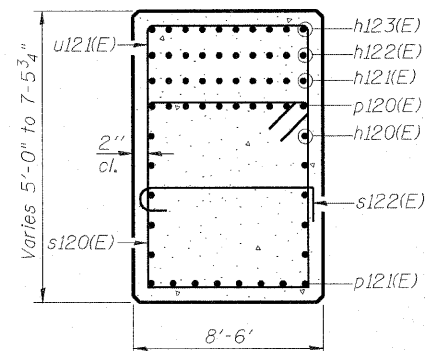
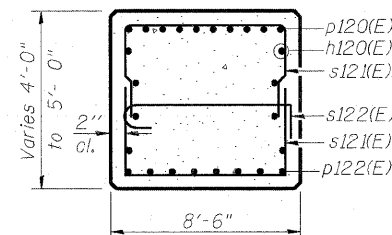


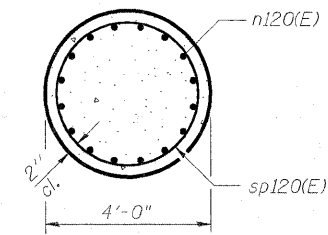
FOOTING PLAN



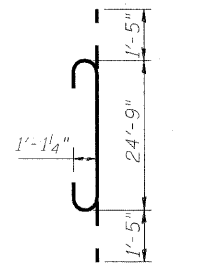
SEC. A-A



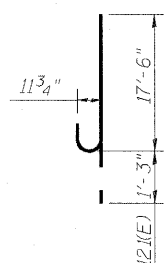
SEC. B-B



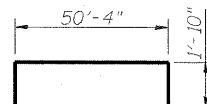
SEC. C-C



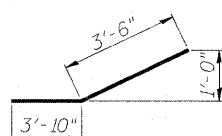
BAR n120(E)



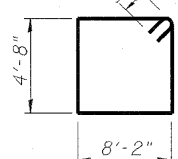
BAR n121(E)



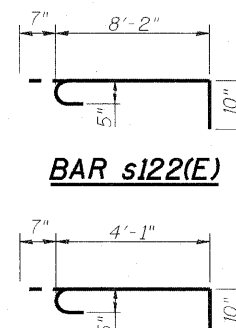
BAR p120(E)



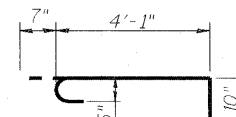
BAR p122(E)



BAR s120(E)

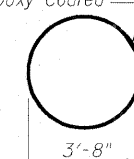


BAR s122(E)

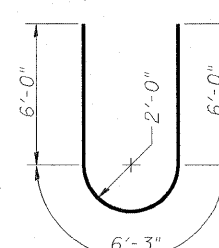


BAR s126(E)

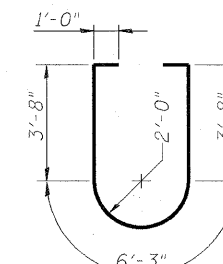
Shop welded per AWS D1.4 or mechanically spliced; cost included in Reinforcement Bars, Epoxy Coated



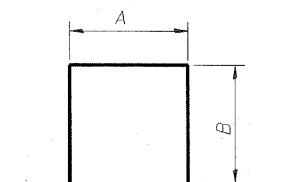
BAR s124(E)



BAR u120(E)



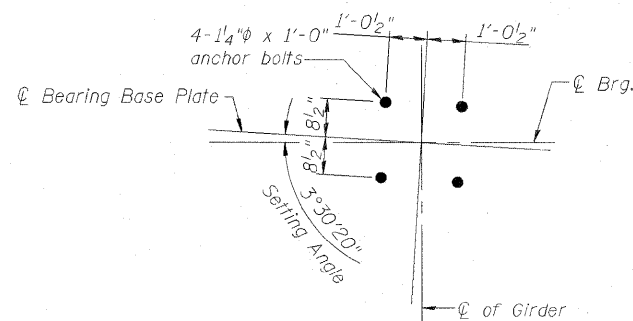
BAR u123(E)



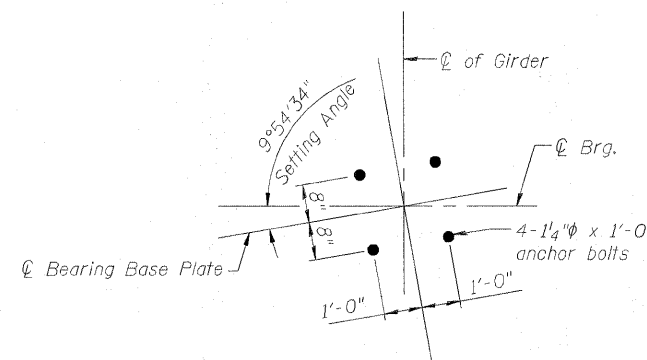
BARS

A & B DIMENSIONS

Bar	A	B
s121(E)	8'-2"	3'-8"
s123(E)	3'-10"	2'-3"
s125(E)	3'-10"	17'-6"
#121(E)	14'-8"	1'-10"
u121(E)	8'-2"	4'-6"
u122(E)	8'-1"	3'-0"



ANCHOR BOLT LOCATION DETAIL, GIRDERS 6 - 11
 C of BEARING STA. 61+76.50



ANCHOR BOLT LOCATION DETAIL, GIRDERS 1 - 6
 C of BEARING STA. 61+79.50



USER NAME =
 PLOT SCALE = 0.168667' / IN.
 PLOT DATE = 8/15/2011

DESIGNED - DDB
 DRAWN - BRD
 CHECKED - LLV
 DATE - 08-12-11

REVISED -
 REVISED -
 REVISED -
 REVISED -

STATE OF ILLINOIS
 DEPARTMENT OF TRANSPORTATION

PIER - UNIT 2 - PIER 6 - DETAILS
 I-70E OVER I-55, CSX & KCS RAILROADS

SCALE: SHEET S-159 OF S-234 SHEETS STA. TO STA.

F.A.I. RTE.	SECTION	COUNTY	TOTAL SHEETS	SHEET NO.
TO	82-1-B-2	ST. CLAIR	399	286
S.N. 082-0322 & S.N. 082-0324		CONTRACT NO. 76C76		
FED. ROAD DIST. NO. ILLINOIS FED. AID PROJECT				