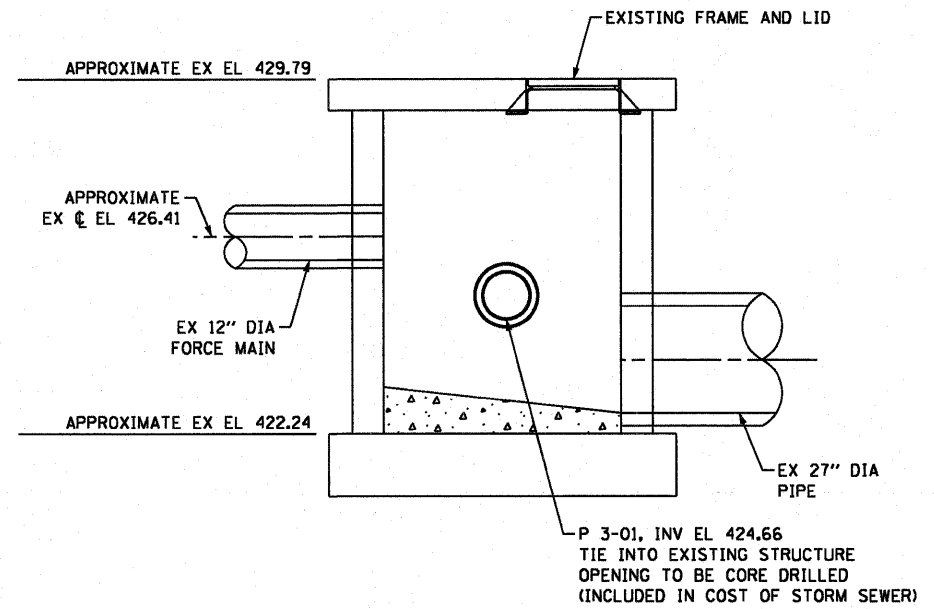


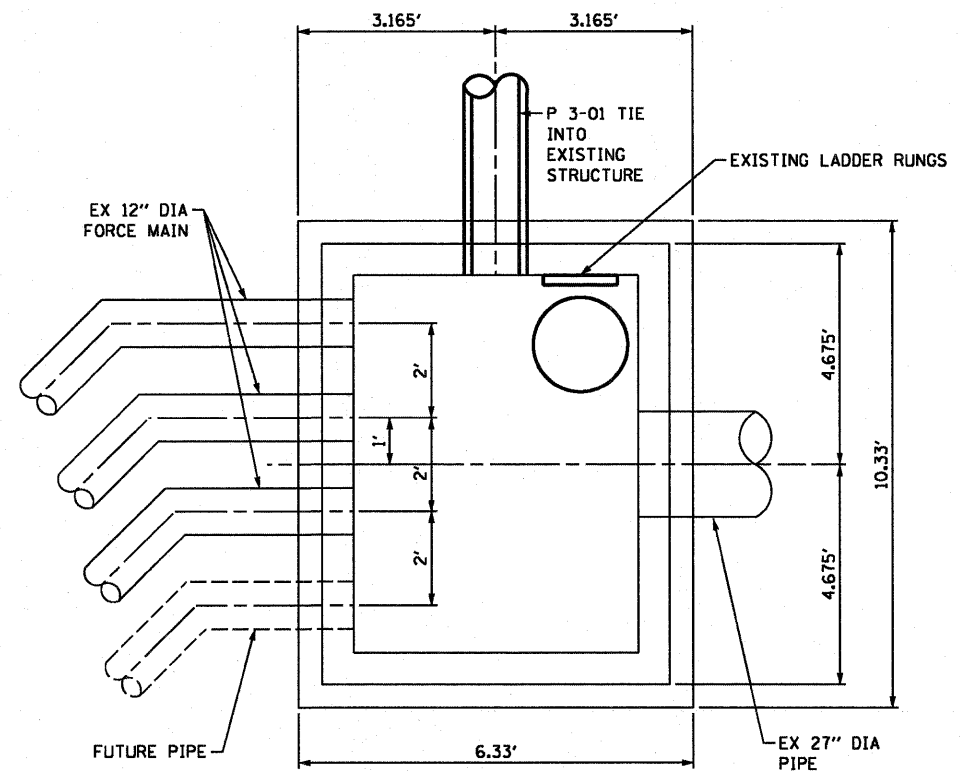
PAVED DITCH (SPECIAL)

SCALE: NONE



SECTIONAL VIEW

SCALE: NONE



PLAN VIEW

SCALE: NONE

NOTE: CONTRACTOR MUST MAINTAIN FLOW IN FORCE MAINS DURING CONSTRUCTION.

FORCE MAIN STRUCTURE TIE-IN DETAIL

SCALE: NONE

USER NAME = searsb	DESIGNED BS/OP	REVISED -
PLDT SCALE = 20.000' / in.	DRAWN BS/OP	REVISED -
PLDT DATE = 6/30/2011	CHECKED DBM	REVISED -
	DATE 07-01-11	REVISED -

STATE OF ILLINOIS
DEPARTMENT OF TRANSPORTATION

DRAINAGE DETAIL 5

SCALE: NONE SHEET NO. 5 OF 5 SHEETS STA. TO STA.

F.A.I. RTE. 64/998	SECTION 82-1-B-2	COUNTY ST. CLAIR	TOTAL SHEETS 399	SHEET NO. 377A
FED. ROAD DIST. NO.		ILLINOIS FED. AID PROJECT		
CONTRACT NO. 76C76				