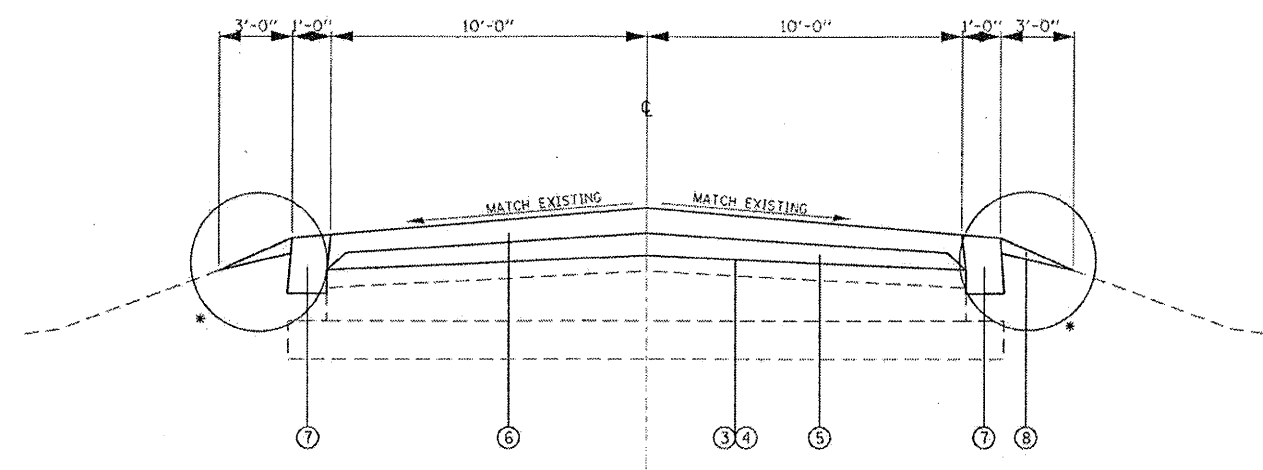


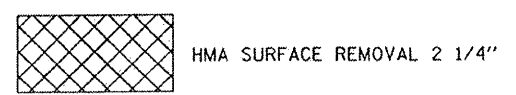
EXISTING TYPICAL SECTION
LOCATION 3 + 4



PROPOSED TYPICAL SECTION
LOCATION 3 + 4

LEGEND

- ① EXISTING SUB-BASE
 - ② EXISTING HOT-MIX ASPHALT PAVEMENT
 - ③ PROPOSED BITUMINOUS MATERIALS (PRIME COAT)
 - ④ PROPOSED AGGREGATE (PRIME COAT)
 - ⑤ PROPOSED LEVELING BINDER (MACHINE METHOD), N70 - 3/4"
 - ⑥ PROPOSED HOT MIX ASPHALT SURFACE COURSE, MIX "D", N90 - 1 1/2"
 - ⑦ PROPOSED HOT MIX ASPHALT SHOULDER, 8"
 - ⑧ PROPOSED AGGREGATE SHOULDER, TYPE B
- *SEE SAFETY EDGE DETAIL (LOCATION 3)



FILE NAME : c:\pwworkspace\dat\alforab\ed26246\ed26246.dwg	USER NAME : alforab	DESIGNED : -	REVISED : -
	DESIGNER : alforab	DRAWN : -	REVISED : -
	PLOT SCALE : 1/8" = 1'-0"	CHECKED : -	REVISED : -
	PLOT DATE : 12/21/2011	DATE : -	REVISED : -

STATE OF ILLINOIS
DEPARTMENT OF TRANSPORTATION

TYPICAL SECTIONS LOCATIONS 3 + 4			
SCALE:	SHEET NO.	OF SHEETS	STA. TO STA.

VAR R.T.E.	SECTION	COUNTY	TOTAL SHEETS	SHEET NO.
VAR	D-S RESURFACING 2012-2	MADISON	14	7
CONTRACT NO. 76F06				
FED. ROAD DIST. NO. ILLINOIS FED. AID PROJECT				