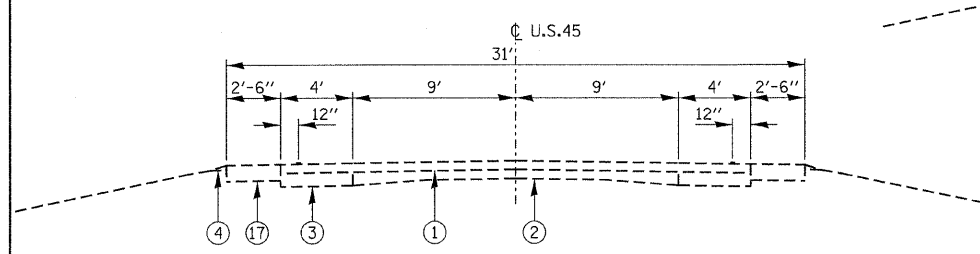
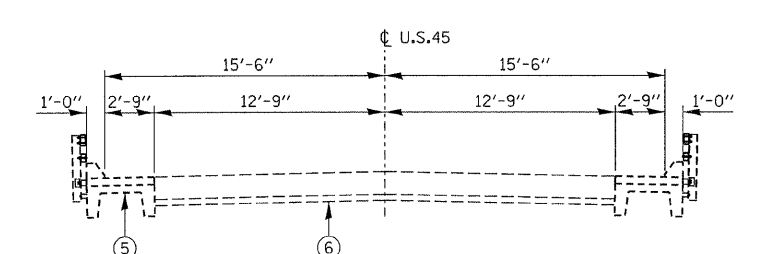


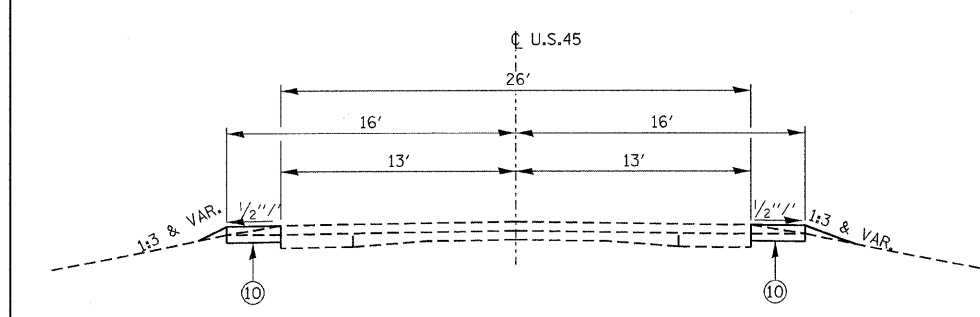
**EXISTING TYPICAL CROSS SECTION**  
 STA. 652+49.00 TO STA. 653+36.00  
 STA. 656+50.00 TO STA. 658+71.00



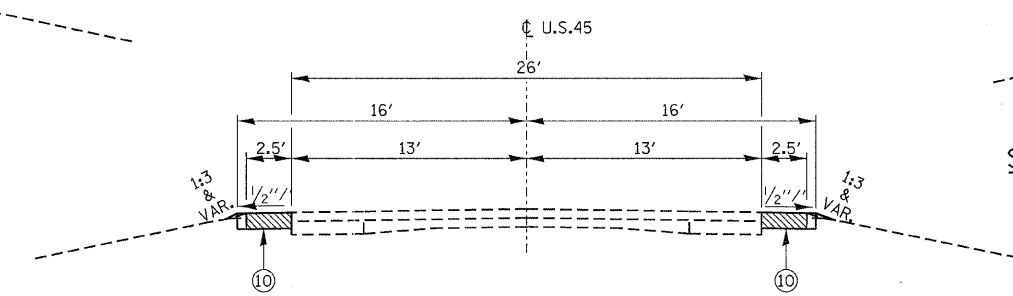
**EXISTING TYPICAL CROSS SECTION**  
 STA. 653+36.00 TO STA. 654+16.80  
 STA. 655+39.20 TO STA. 656+50.00



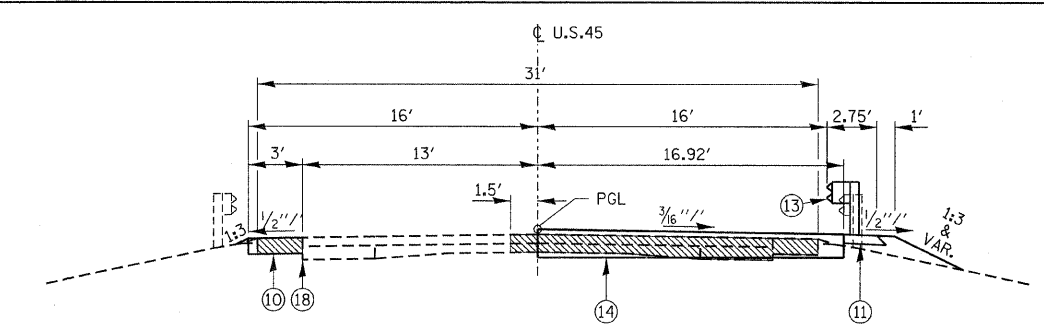
**EXISTING BRIDGE APPROACH TYPICAL CROSS SECTION**  
 STA. 654+16.80 TO STA. 654+28.80  
 STA. 655+27.20 TO STA. 655+39.20



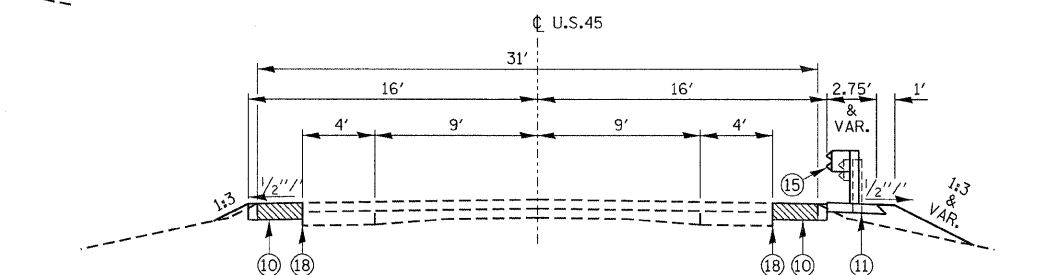
**STAGE 1 TYPICAL CROSS SECTION**  
 STA. 652+67.00 TO STA. 653+36.00



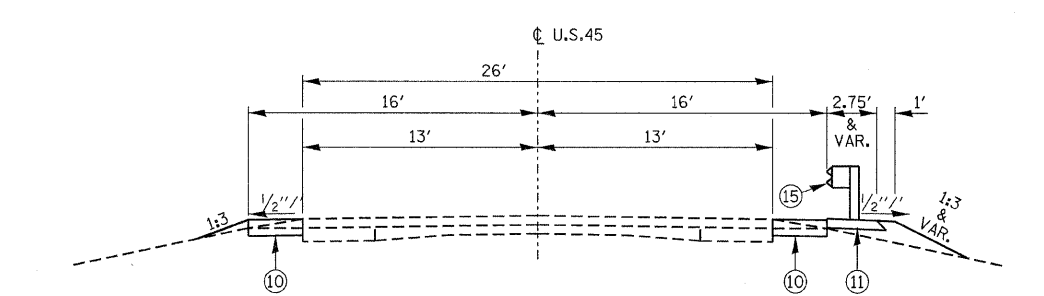
**STAGE 1 TYPICAL CROSS SECTION**  
 STA. 653+36.00 TO STA. 653+78.50



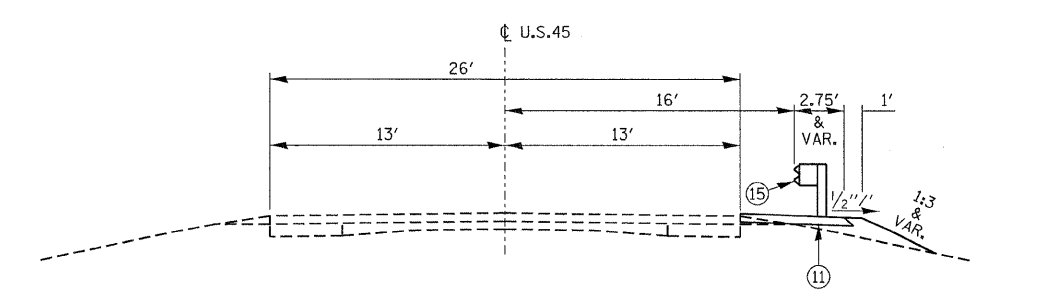
**STAGE 1 APPROACH SLAB & PCC CONNECTOR TYPICAL CROSS SECTION**  
 STA. 653+78.50 TO STA. 653+84.50 PCC CONNECTOR  
 STA. 653+84.50 TO STA. 654+14.50 APPROACH PAVEMENT  
 STA. 655+41.50 TO STA. 655+71.50 APPROACH PAVEMENT  
 STA. 655+71.50 TO STA. 655+77.50 PCC CONNECTOR



**STAGE 1 TYPICAL CROSS SECTION**  
 STA. 655+77.50 TO STA. 656+50.00



**STAGE 1 TYPICAL CROSS SECTION**  
 STA. 656+50.00 TO STA. 656+89.00



**STAGE 1 TYPICAL CROSS SECTION**  
 STA. 656+89.00 TO STA. 657+12.00

**LEGEND**

- ① EXISTING HMA OVERLAY
- ② EXIST CONCRETE PAVEMENT
- ③ EXISTING BASE COURSE WIDENING 9"
- ④ EXISTING AGGREGATE SHOULDERS
- ⑤ EXISTING PRECAST CONCRETE UNITS WITH WEARING SURFACE
- ⑥ EXISTING BRIDGE APPROACH PAVEMENT
- ⑦ EXISTING PAVEMENT MARKING
- ⑧ HOT-MIX ASPHALT SURFACE COURSE, MIX "C", N90 (1 1/2" MIN)
- ⑨ LEVELING BINDER (MACHINE METHOD), N90 (3/4" MIN)
- ⑩ HMA BASE COURSE WIDENING 10 3/4"
- ⑪ HMA SHOULDERS 8"
- ⑫ AGGREGATE SHOULDERS TYPE A 8"
- ⑬ TRAFFIC BARRIER TERMINAL, TYPE 6 OR 6 (SPECIAL)
- ⑭ BRIDGE APPROACH PAVEMENT CONNECTOR (PCC) OR BRIDGE APPROACH PAVEMENT
- ⑮ STEEL PLATE BEAM GUARD RAIL, TYPE A, 6 FOOT POST
- ⑯ PROPOSED PAVEMENT MARKING
- ⑰ EXISTING PCC BASE COURSE WIDENING 8"
- ⑱ SAW CUT INCLUDED WITH PAVEMENT REMOVAL
- ▨ EXISTING PAVEMENT REMOVAL

FILE NAME = 090148-sh1-typesections.dgn	USER NAME =	DESIGNED - L.F.S.	REVISED -	<b>STATE OF ILLINOIS DEPARTMENT OF TRANSPORTATION</b>	<b>TYPICAL SECTIONS U.S. ROUTE 45</b>			F.A.P.	SECTION	COUNTY	TOTAL SHEETS	SHEET NO.
HAMPTON, LENZINI AND RENWICK, INC. 3086 STEVENSON DRIVE, SUITE 201 SPRINGFIELD, ILLINOIS 62735	PLOT SCALE =	DRAWN - T.W.K.	REVISED -		328	105B-1	WHITE	54	4			
ILLINOIS PROFESSIONAL DESIGN FIRM 131 PEI SE CORP. 184.000989	PLOT DATE = 7/13/2011	CHECKED - J.W.F.	REVISED -		CONTRACT NO. 78161				ILLINOIS FED. AID PROJECT			
		DATE - 04/05/11	REVISED -		SCALE:	SHEET NO.	OF SHEETS	STA.	TO STA.			