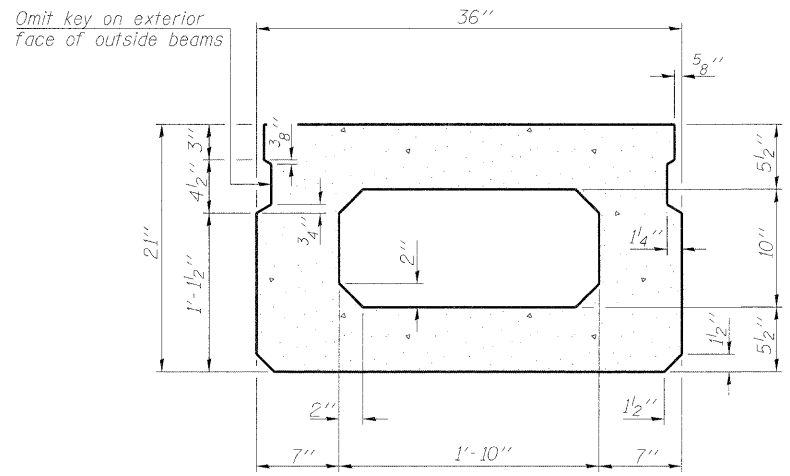
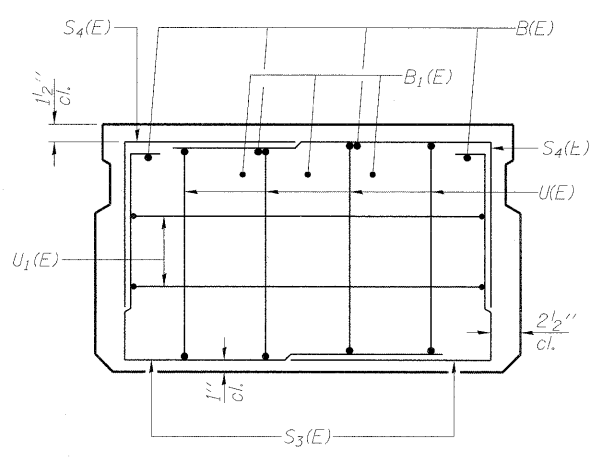


SECTION A-A

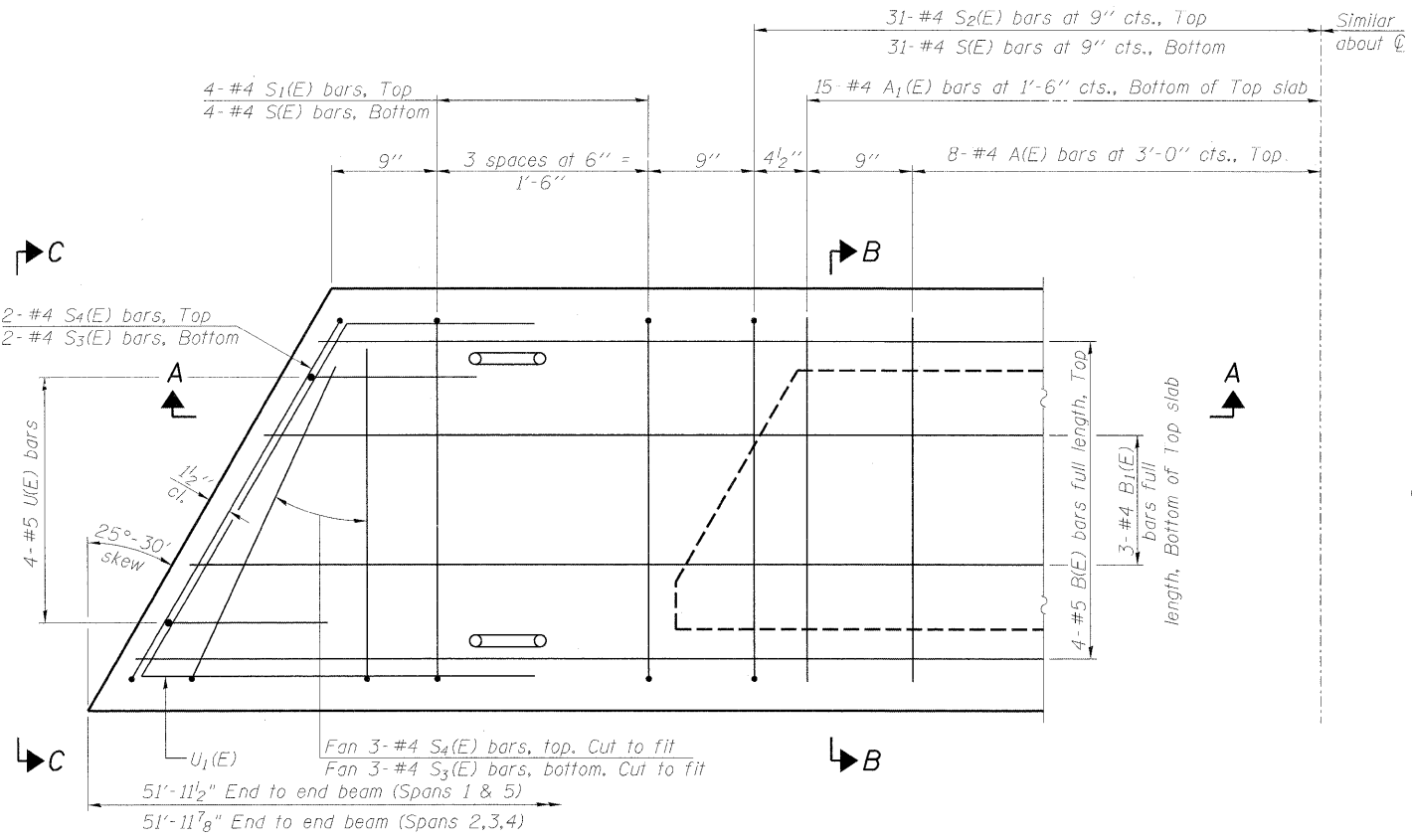
Note:
See sheet 11 of 22 for lifting loop locations and details.



SECTION B-B
(Showing dimensions)

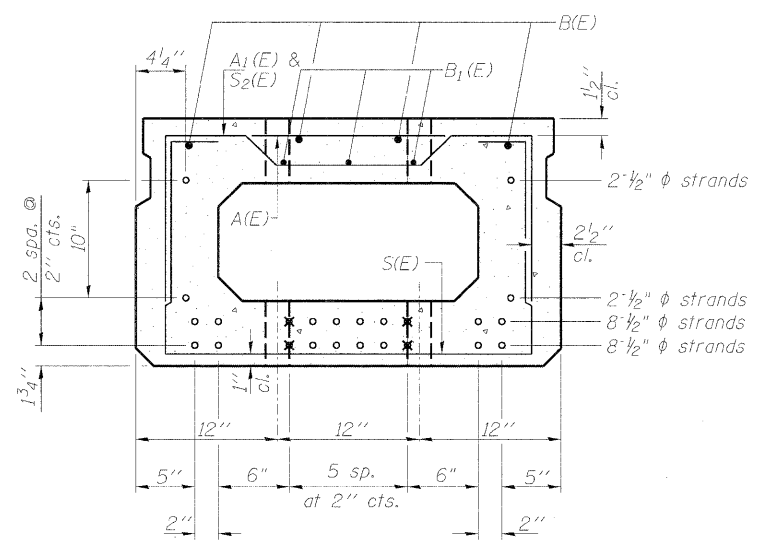


VIEW C-C



PLAN VIEW

Note: Spacing of S(E) and S2(E) bars may be adjusted up to 4" in the immediate area of the transverse tie diaphragms to miss the block outs for the transverse ties.



SECTION B-B

(Showing reinforcement and permissible strand locations)

Note: Place the number of strands specified in each row symmetrically about the centerline of beam in the permissible strand locations shown.

X Strands shall only be provided at permissible strand locations with more than 2" of clear cover between the dowel bar and the prestressing strand.

MINIMUM BAR LAP

#4 bar = 2'-0"
#5 bar = 2'-6"

BAR LIST
ONE BEAM ONLY
(For information only)

Bar	No.	Size	Length	Shape
A(E)	16	#4	2'-7"	—
A1(E)	31	#4	2'-10"	—
B(E)	4	#5	5'-8"	—
B1(E)	3	#4	5'-8"	—
S(E)	70	#4	6'-5"	U
S1(E)	8	#4	4'-11"	U
S2(E)	62	#4	5'-2"	U
S3(E)	10	#4	4'-5"	U
S4(E)	10	#4	3'-8"	U
U(E)	8	#5	4'-0"	U
U1(E)	4	#4	6'-6"	U

Note: See sheet 11 of 22 for additional details and Bill of Material.