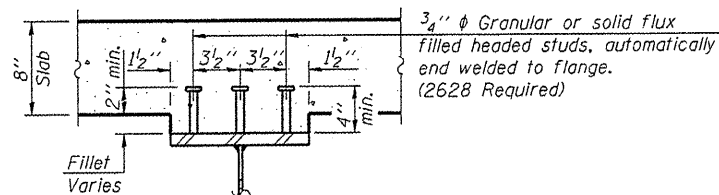
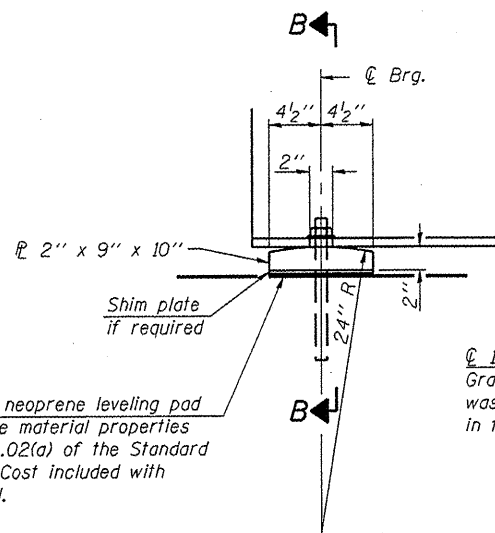


STATE OF ILLINOIS  
DEPARTMENT OF TRANSPORTATION



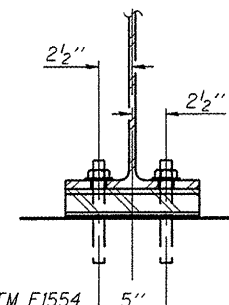
SECTION A-A

Notes:  
Structural steel for splice shall be AASHTO M270 Gr. 50W.  
Load carrying components designated "NTR" shall conform to the Supplemental Provisions for Notch Toughness, Zone 2.



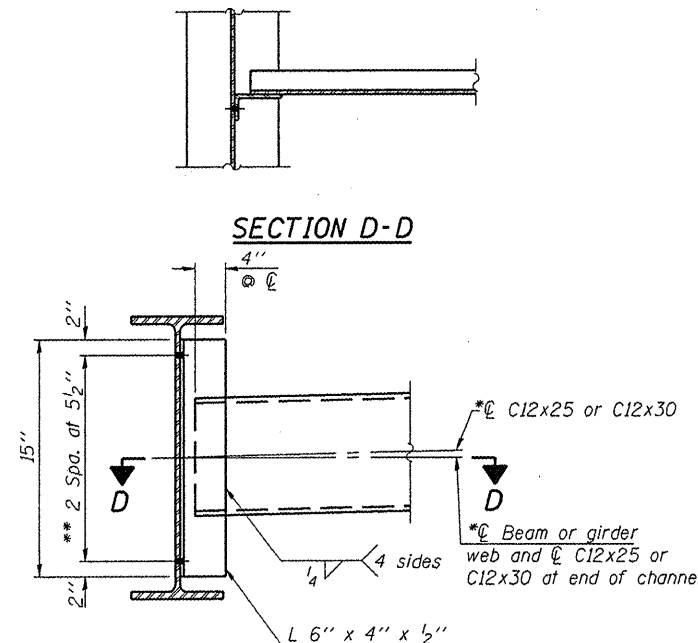
ELEVATION AT ABUTMENT

1/8" elastomeric neoprene leveling pad according to the material properties of Article 1052.02(a) of the Standard Specifications. Cost included with Structural Steel.



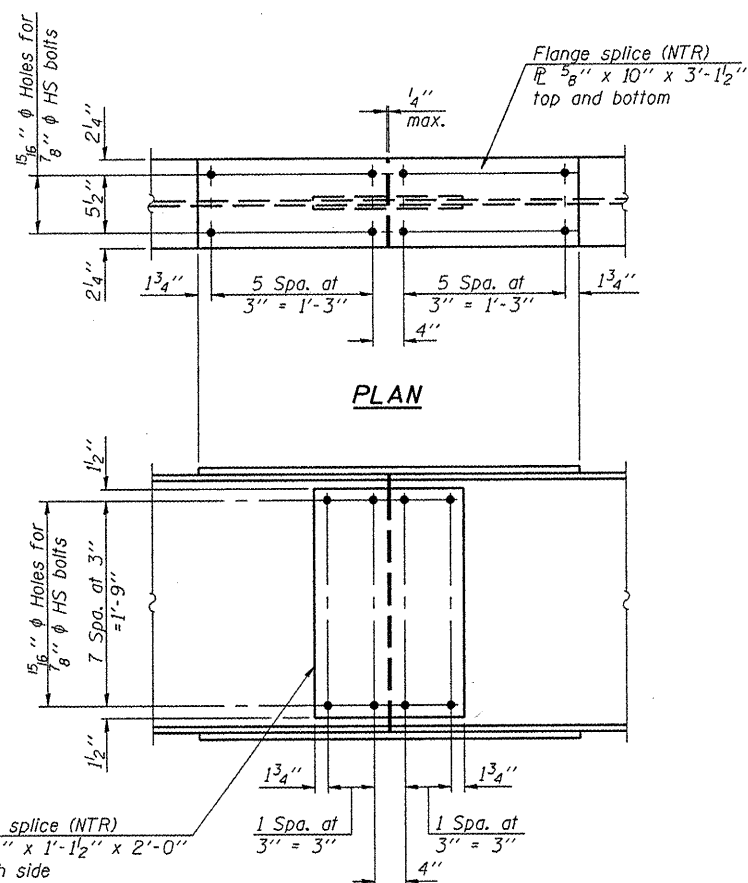
SECTION B-B

1" x 12" anchor bolts (ASTM F1554 Grade 36) with 2 1/4" x 2 1/4" x 3/16" plate washer under nut. 1 3/8" x 2" slotted hole in flange. 1 1/2" holes in bearing plate.



DIAPHRAGM D

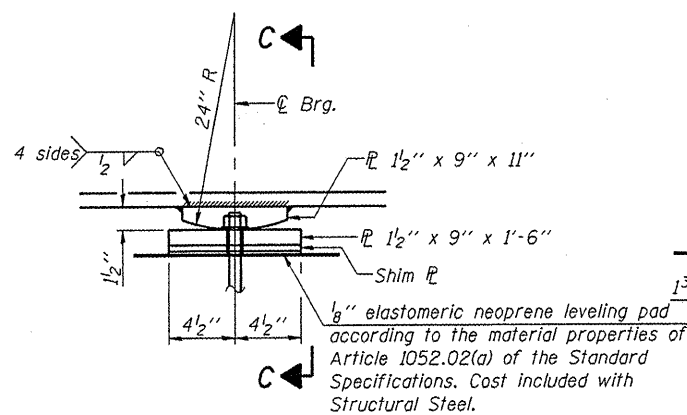
Note:  
Two hardened washers required for each set of oversized holes.  
\*Alternate channels are permitted to facilitate material acquisition. Calculated weight of structural steel is based on the lighter section. The alternate, if utilized, shall be provided at no additional cost to the Department.  
\*\*3/4" HS bolts, 5/16" holes



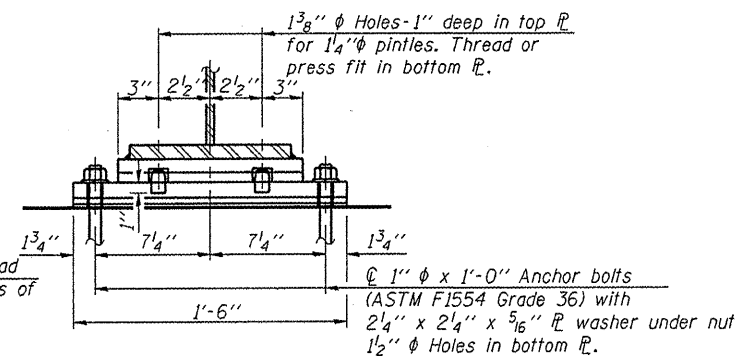
ELEVATION  
SPLICE DETAIL  
(6 Required)

FIXED BEARING AT ABUTMENTS

Notes:  
Anchor bolts shall be ASTM F1554 all-thread (or an Engineer-approved alternate material of the grade(s) and diameter(s) specified. ASTM A307 Grade C anchor bolts may be used in lieu of ASTM F1554 Grade 36 (Fy=36ksi). The corresponding specified grade of AASHTO M314 anchor bolts may be used in lieu of ASTM F1554.  
Anchor bolts at fixed bearings may be either cast in place or installed in holes drilled after the supported member is in place.  
Drilled and set anchor bolts shall be installed according to Article 521.05 of the Standard Specifications.  
Structural steel for bearings shall be AASHTO M270 Gr. 50W.  
Two 1/8" adjusting shims shall be provided for each bearing in addition to all other plates or shims and placed as shown on bearing details.

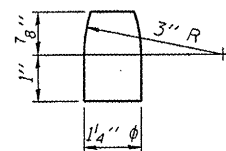


ELEVATION AT PIER



SECTION C-C

FIXED BEARING AT PIERS



PINTLE

DESIGNED - JAE
CHECKED - BAS
DRAWN - SGM
CHECKED - BAS

FRAMING DETAILS  
STRUCTURE NO. 090-3244

SHEET NO. 13	T.R.	SECTION	COUNTY	TOTAL SHEETS	SHEET NO.
	22 SHEETS	156	06-07109-00-BR	TAZEWELL	53
			CONTRACT NO. 89472		
FED. ROAD DIST. NO. ILLINOIS FED. AID PROJECT					

