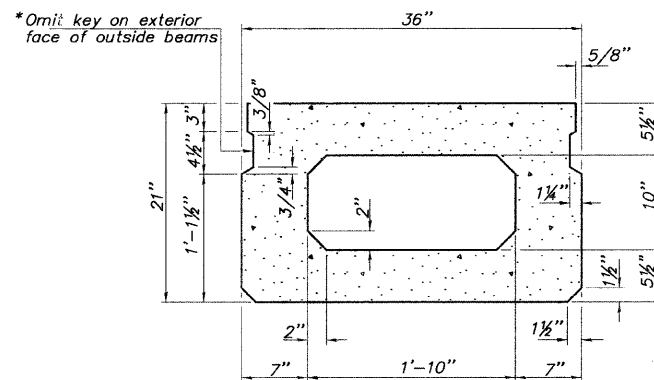
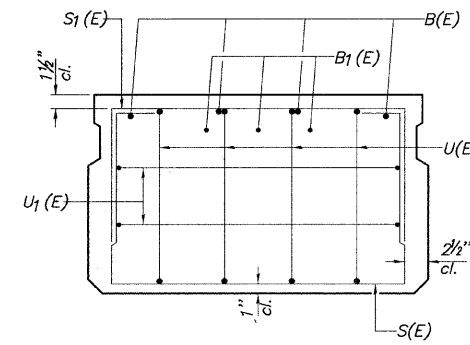


SECTION A-A

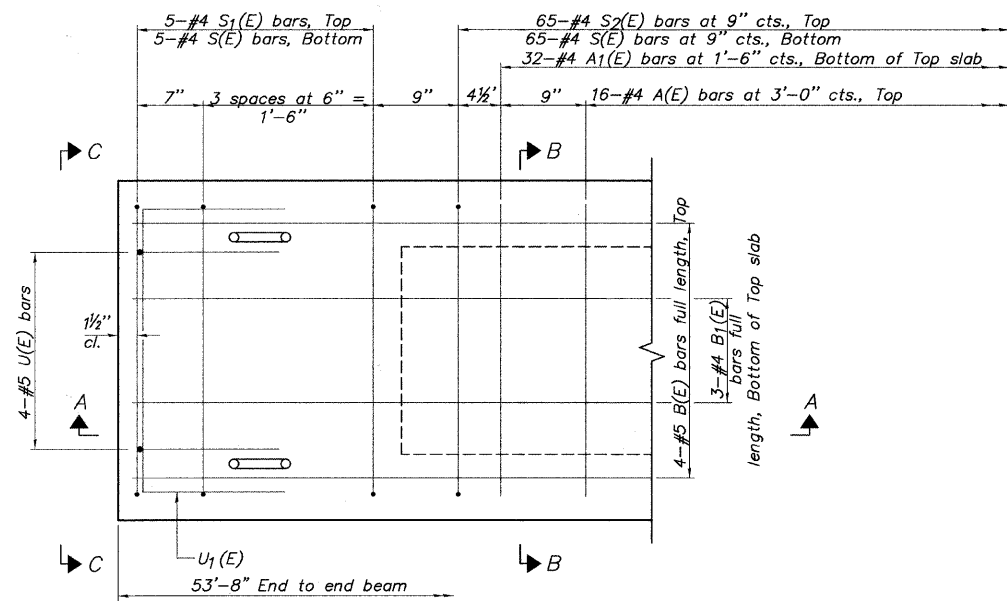


SECTION B-B  
(Showing dimensions)

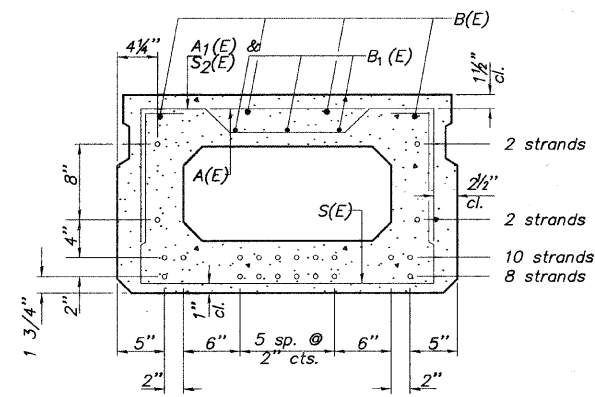


VIEW C-C

\*Rail Post Anchor Devices (Sht. 7 of 7.)  
To Be Cast Into Exterior Face Of Outside Beams



PLAN VIEW



SECTION B-B  
(Showing reinforcement and permissible strand locations)

Note: Place the number of strands specified in each row symmetrically about the centerline of beam in the permissible strand locations shown.

BAR LIST  
ONE BEAM ONLY  
(For information only)

Bar	No.	Size	Length	Shape
A(E)	16	#4	2'-7"	—
A1(E)	32	#4	2'-10"	—
B(E)	4	#5	53'-5"	—
B1(E)	3	#4	53'-5"	—
S(E)	75	#4	6'-5"	□
S1(E)	10	#4	4'-11"	□
S2(E)	65	#4	5'-2"	□
U(E)	8	#5	4'-0"	□
U1(E)	4	#4	5'-0"	□

Note: See sheet 4 of 7 for additional details and Bill of Material.

Note: Spacing of S(E) and S2(E) bars may be adjusted up to 4" in the immediate area of the transverse tie diaphragms to miss the block outs for the transverse ties.

MINIMUM BAR LAP  
#4 bar = 2'-0"  
#5 bar = 2'-6"

SUPERSTRUCTURE DETAILS  
HANCOCK COUNTY  
SECTION 94-00091-00-BR  
CH #14 OVER SPRING CREEK

SHEET NO. 3 OF 7 SHEETS	ROUTE NO.	SECTION	COUNTY	TOTAL SHEETS	SHEET NO.
	CH #14	94-00091-00-BR	HANCOCK	14	10
	S.N. 034-3141			CONTRACT NO. 93555	
FED. ROAD DIST. NO. 7   ILLINOIS FED. AID PROJ.					