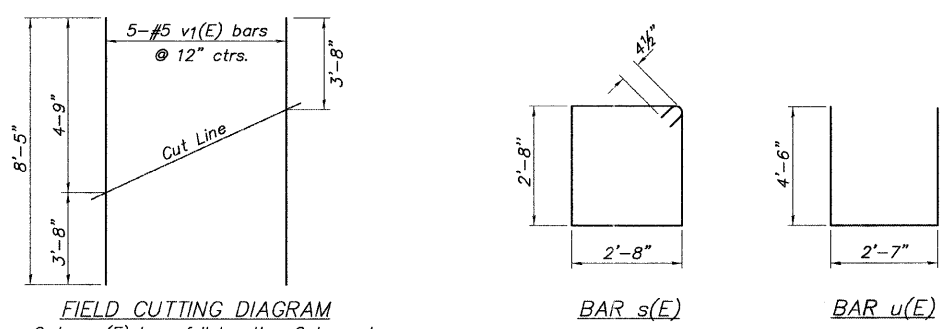


**BILL OF MATERIAL
ONE ABUTMENT**

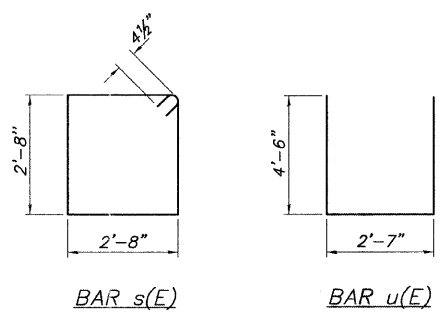
Bar	No.	Size	Length	Shape
h(E)	6	#4	29'-9"	
h1(E)	28	#4	6'-6"	
p(E)	10	#7	30'-9"	
s(E)	34	#4	11'-5"	
u(E)	8	#6	11'-7"	
v(E)	66	#5	3'-9"	
v1(E)	10	#5	8'-5"	
Concrete Structures		Cu. Yd.	14.6	
Reinforcement Bars, Epoxy Coated		Pound	1,615	
Furnishing Metal Shell Piles 12" x 0.179"		Foot	230 (West) 184 (East)	
Driving Piles		Foot	230 (West) 184 (East)	
Test Pile Metal Shells		Each	1	

For details of piles see sheet 6 of 7.

PILE DATA
 Type: Metal Shell Piles 12" (0.179" Wall)
 Nominal Required Bearing: 170 kips
 Factored Resistance Available: 85 kips
 Est. Length: West Abut. - 46 Ft.
 East Abut. - 46 Ft.
 No. Production Piles: 10 (Includes Test Pile)
 No. Test Piles: 1 (East Abut.)*
 * Driven to 110% NRB



FIELD CUTTING DIAGRAM
 Order v1(E) bars full length. Cut as shown and use remainder of bars in opposite face.



**ABUTMENT DETAILS
HANCOCK COUNTY
SECTION 94-00091-00-BR
CH #14 OVER SPRING CREEK**

SHEET NO. 5 OF 7 SHEETS	ROUTE NO.	SECTION	COUNTY	TOTAL SHEETS	SHEET NO.
	CH #14	94-00091-00-BR	HANCOCK	14	12
	S.N. 034-3141			CONTRACT NO. 93555	
FED. ROAD DIST. NO. 7 ILLINOIS FED. AID PROJ.					