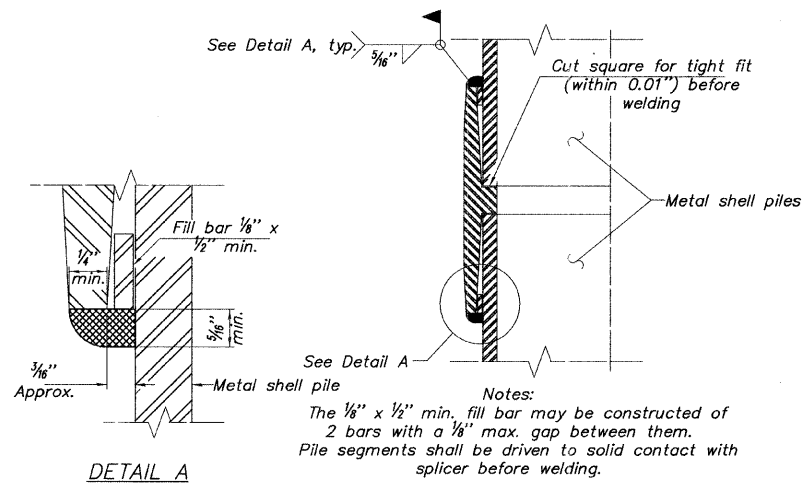


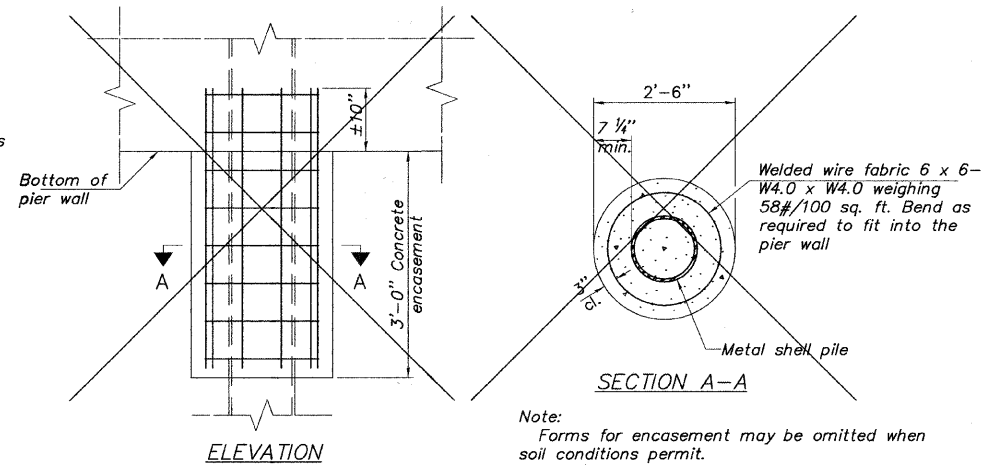


METAL SHELL PILE TABLE

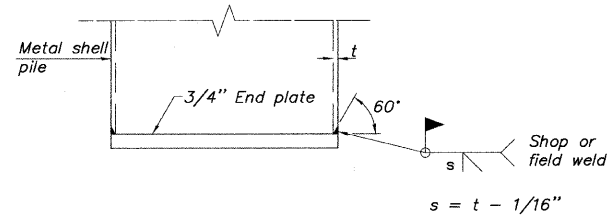
Designation and outside diameter	Wall thickness t	Weight per foot (Lbs./ft.)	Inside volume (yd. 3/ft.)
PP12	0.179"	22.60	0.0274
PP12	0.250"	31.37	0.0267
PP14	0.250"	36.71	0.0368
PP14	0.312"	45.61	0.0361



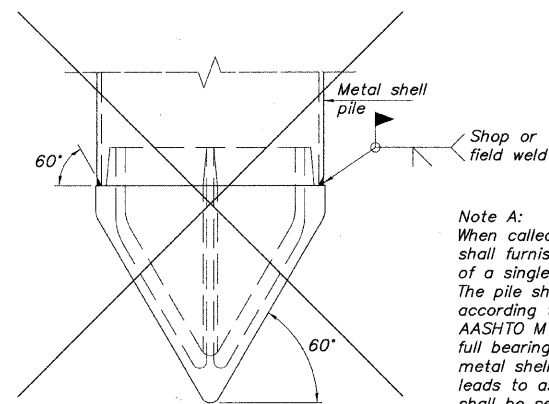
WELDED COMMERCIAL SPLICE



CONCRETE ENCASEMENT AT PIERS

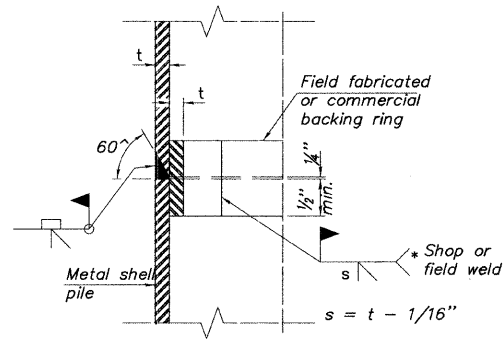


END PLATE ATTACHMENT



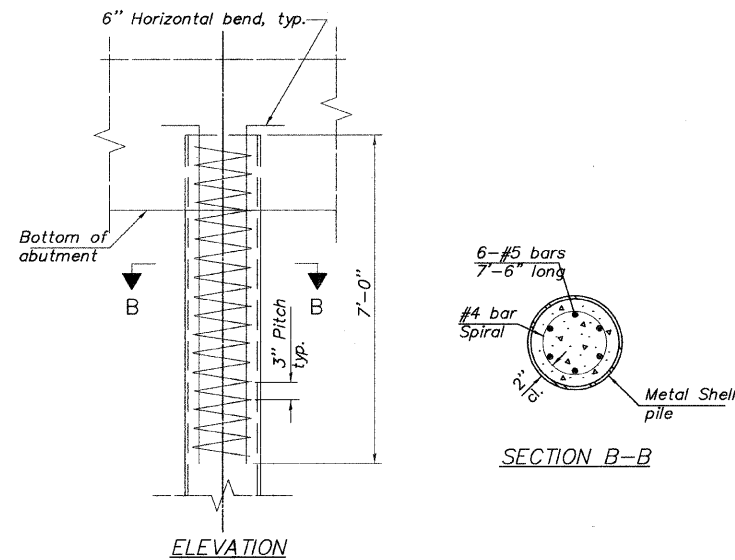
METAL SHELL PILE SHOE ATTACHMENT

(See Note A)



COMPLETE PENETRATION WELD SPLICE

* Field fabricated backing ring may be made from pile shell by removing segment to allow reducing circumference and vertically rejoin with partial joint penetration weld.



METAL SHELL REINFORCEMENT AT ABUTMENTS

Note:
The metal shell piles shall be according to ASTM A 252 Grade 3.

METAL SHELL PILE DETAILS
HANCOCK COUNTY
SECTION 94-00091-00-BR
CH #14 OVER SPRING CREEK

SHEET NO. 6 OF 7 SHEETS	ROUTE NO.	SECTION	COUNTY	TOTAL SHEETS	SHEET NO.
	CH #14	94-00091-00-BR	HANCOCK	14	13
S.N. 034-3141			CONTRACT NO. 93555		
FED. ROAD DIST. NO. 7 ILLINOIS FED. AID PROJ.					