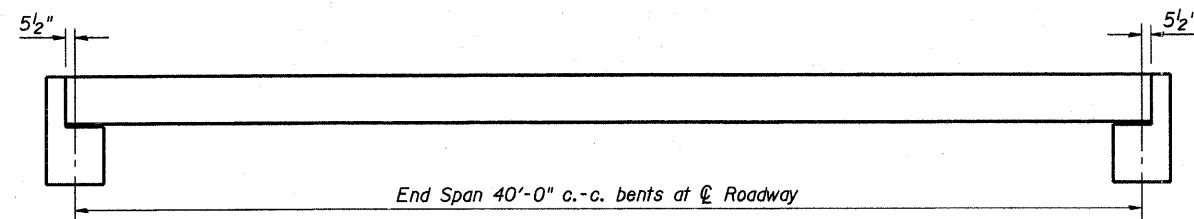
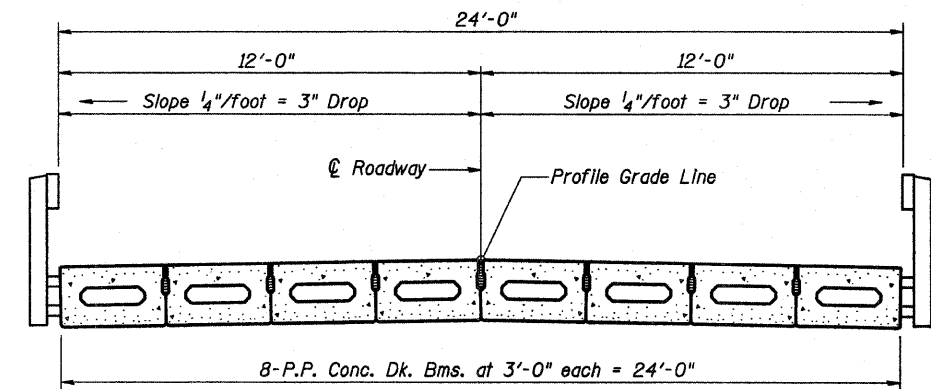


ROUTE NO.	SECTION	COUNTY	TOTAL SHEETS	SHEET NO.
T.R. 297	07-06117-00-BR	MARION	12	5
FEDERAL AID PROJECT		ILLINOIS	PROJECT	

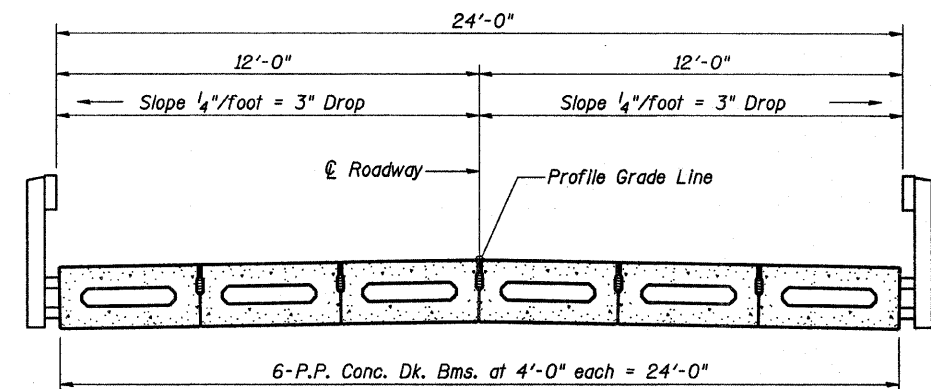
CONTRACT NO.



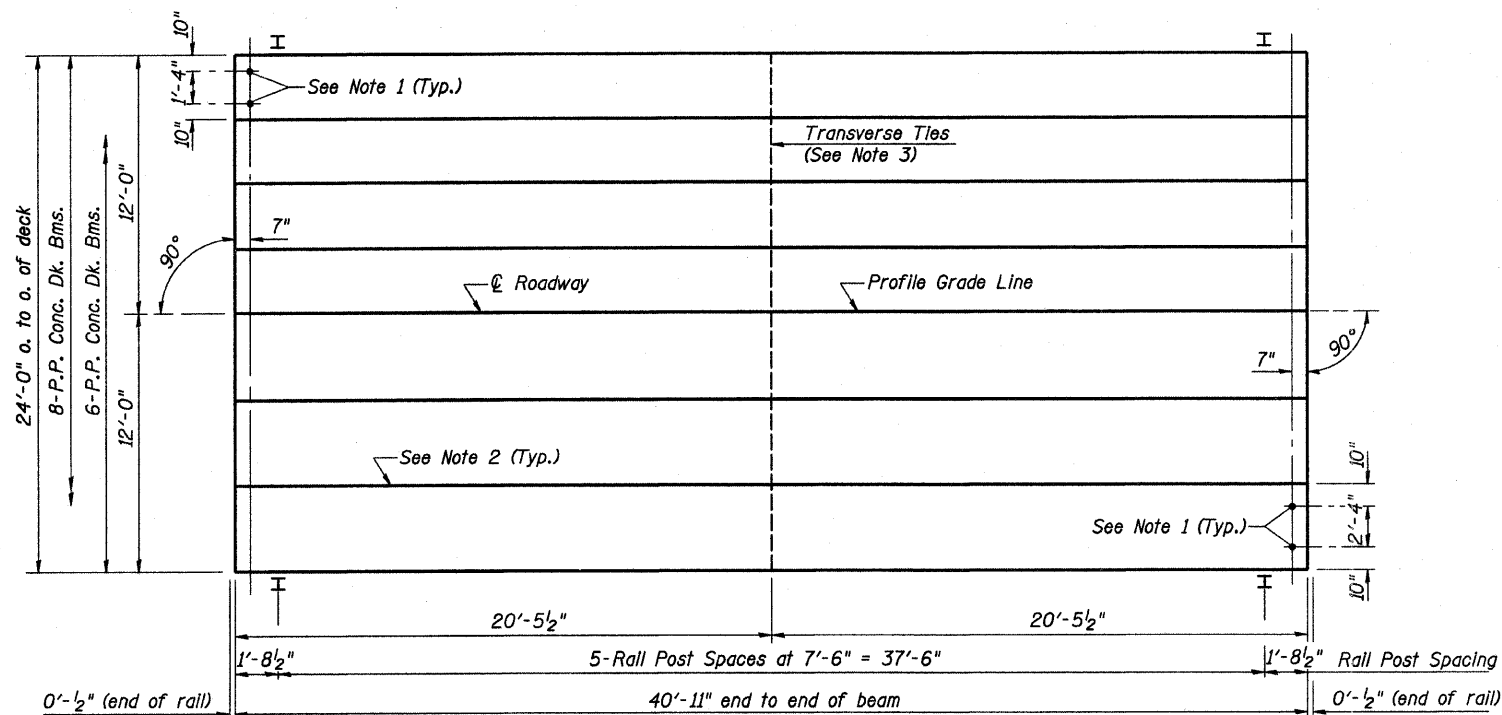
ELEVATION



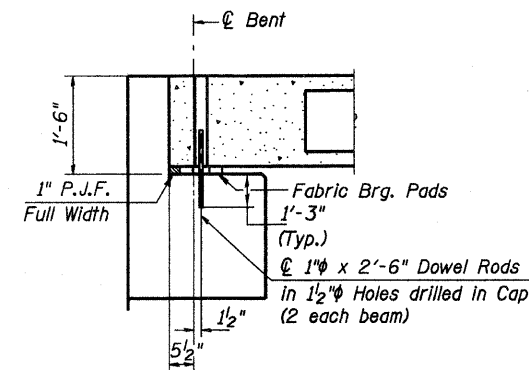
CROSS SECTION



CROSS SECTION



PLAN



SECTION AT ABUTS.
(Along \varnothing Beams)

QUANTITIES FOR ONE SPAN

P.P. Conc. Dk. Bm. 17" Dp.	984 Sq. Ft.
Steel Railing	82 Ft.

NOTES

- After beams have been erected, holes shall be drilled into substructure and anchor dowels placed. Dowel holes shall be filled with non-shrink grout to top of beam and allowed to cure min. 24 hrs. prior to grouting the shear keys.
- Longitudinal keys shall be grouted.
- The 1" \varnothing rods in the transverse tie assembly shall be tightened to a snug fit and the threads set. Pockets that receive transverse tie bar outside shall be filled with grout after transverse tie assembly is in place.