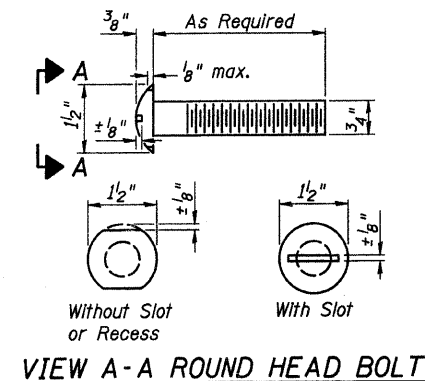
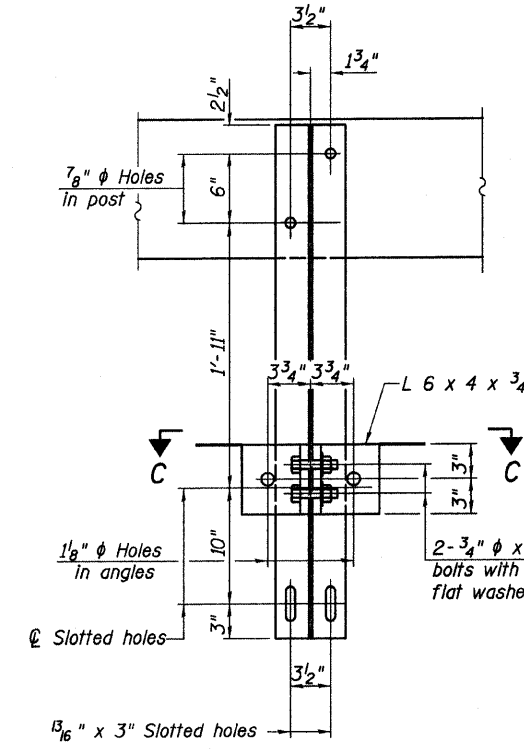
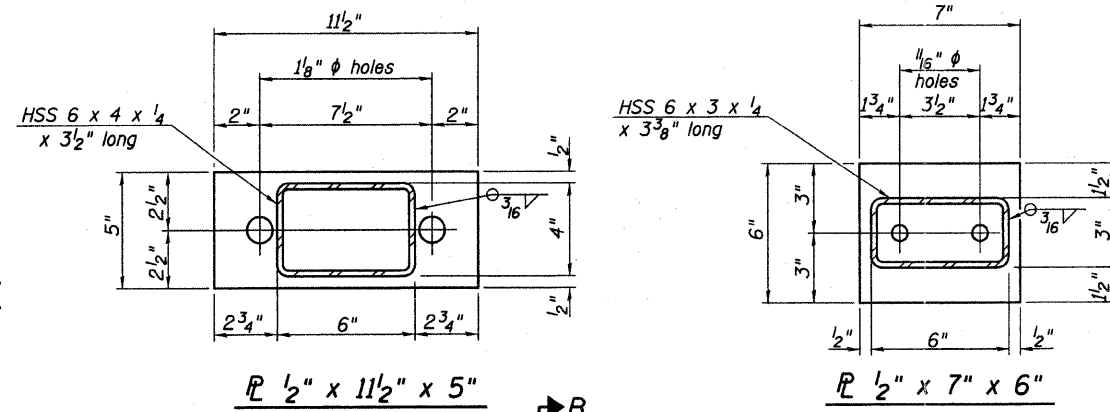


ROUTE NO.	SECTION	COUNTY	TOTAL SHEETS	SHEET NO.
T.R. 297	07-06117-00-BR	MARION	12	10
FEDERAL AID PROJECT		ILLINOIS PROJECT		

CONTRACT NO.

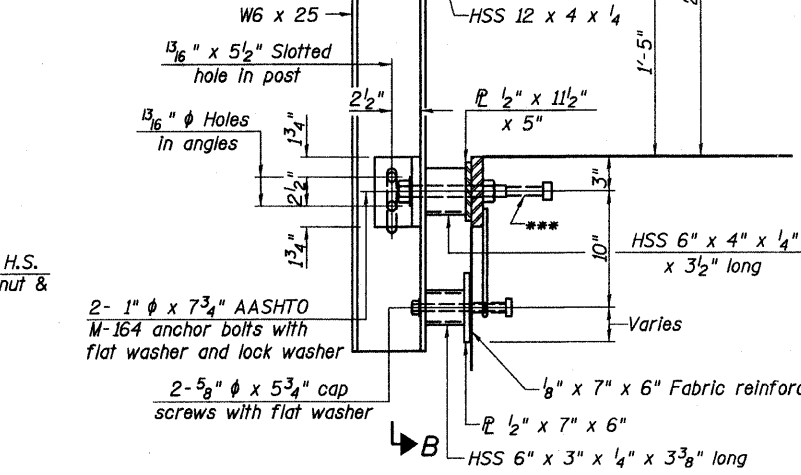


VIEW A-A ROUND HEAD BOLT



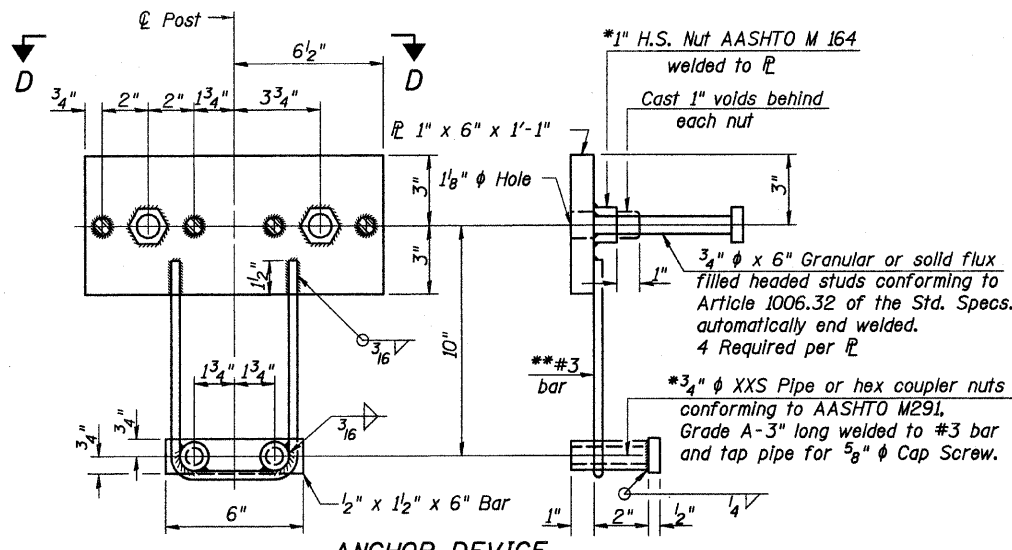
SECTION B-B

2- 3/4" ϕ x 6" Round Head Bolts (With slot or approved recess in head) with locknut & flat washer. 7/8" ϕ holes in hollow structural section may be drilled in the field.



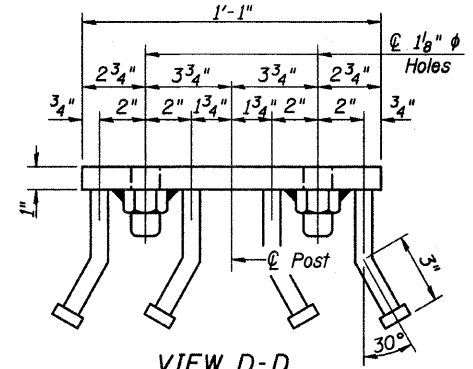
SECTION AT RAILING POST

**Whenever the lower insert assemblies interfere with strand locations, the #3 bars shall be cut and adjusted in order to allow raising or lowering of the lower inserts. Maximum adjustment not to exceed 2."

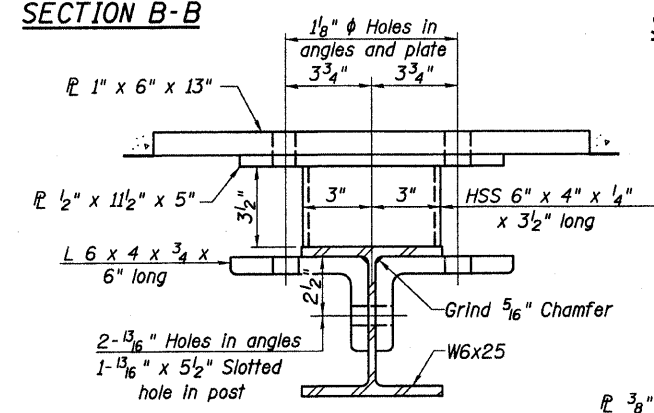


ANCHOR DEVICE

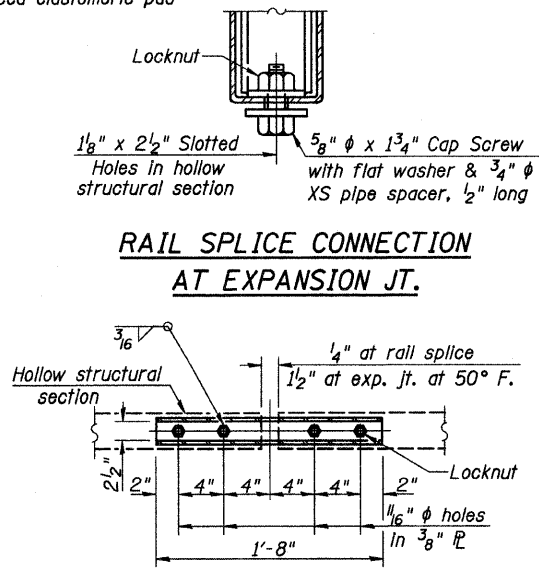
*Threaded areas shall be plugged or blocked off during casting of beam.



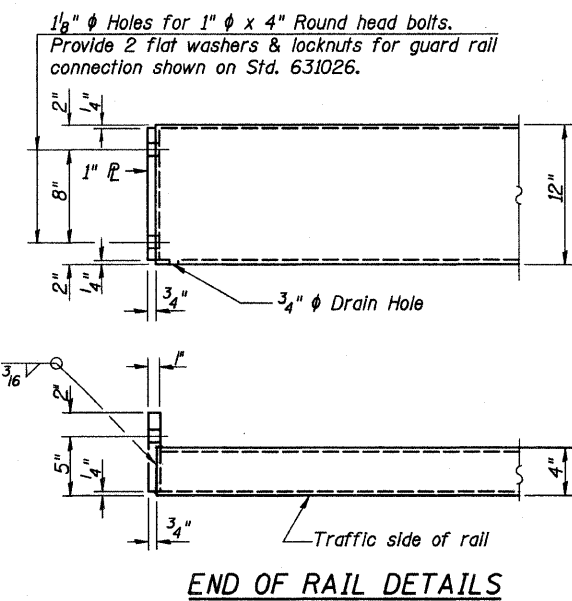
VIEW D-D



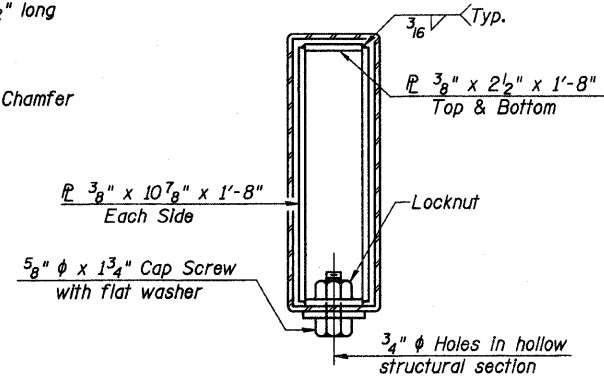
SECTION C-C



PLAN-BOTTOM SPLICE P TYPICAL



END OF RAIL DETAILS



SECTIONS AT RAIL SPLICE

Notes:
 All field drilled holes shall be coated with an approved zinc rich paint before erection.
 For multi-span bridges, sufficient 1/4" x 6" x 1'-2" galvanized steel shims shall be provided to align rail between adjacent spans. Cost included with Steel Railing, Type S-1.
 All steel rail elements shall be galvanized according to Article 509.05 of the Standard Specifications.
 ***The studs of the anchor devices shall be placed below the top reinforcement bars and the outermost longitudinal reinforcement bar shall be placed directly above the studs of the rail post anchor device.
 The maximum allowable rail post spacing shall be 10'-9". The rail post spacing shown elsewhere in the plans is based on the allowable spacing for another type of rail. When this type of rail is used, the number of posts may be decreased and the post spacing increased to provide equal post spaces of 10'-9" or less.
 See Special Provisions for curled end section.

See sheet 5 of 12 for Steel Railing Quantities.

(10'-9" Maximum Post Spacing)

RHUTASEL and ASSOCIATES, INC.
 CONSULTING ENGINEERS • LAND SURVEYORS
 CENTRALIA, ILLINOIS FREEBURG, ILLINOIS

PREPARED FOR:
AECOM
 200705482
 Date: 08/15/2011
 Design: WDL
 Drawn: JSD
 Job No.: 51010

STEEL RAILING TYPE S-1
 SECTION 07-06117-00-BR
 MARION COUNTY
 STATION 49+96