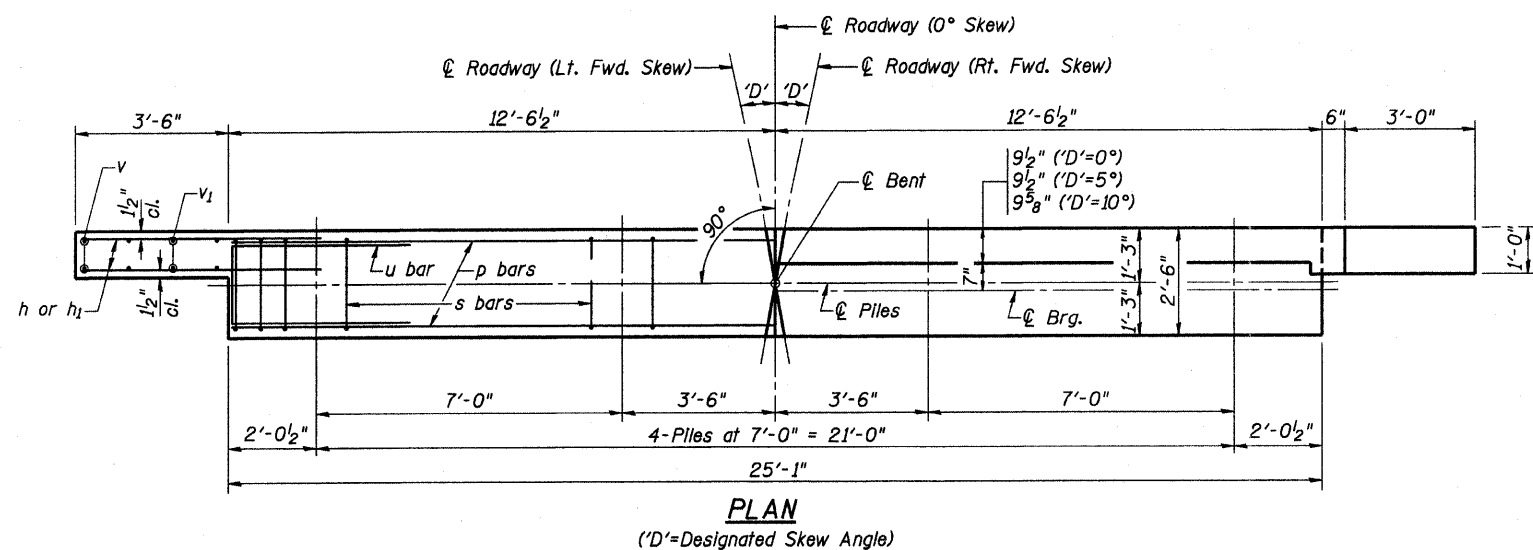
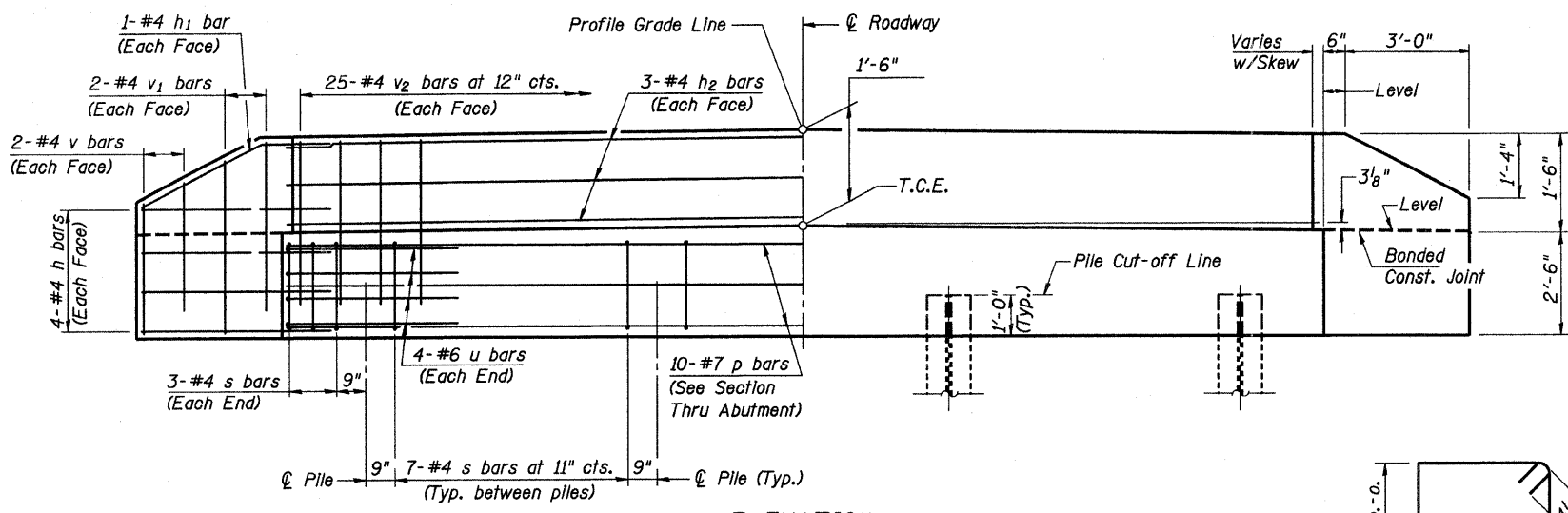


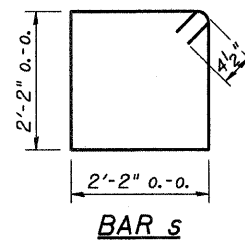
ROUTE NO.	SECTION	COUNTY	TOTAL SHEETS	SHEET NO.
T.R. 297	07-06117-00-BR	MARION	12	11
FEDERAL AID PROJECT		ILLINOIS	PROJECT	
CONTRACT NO.				



PLAN
(*D'=Designated Skew Angle)



ELEVATION



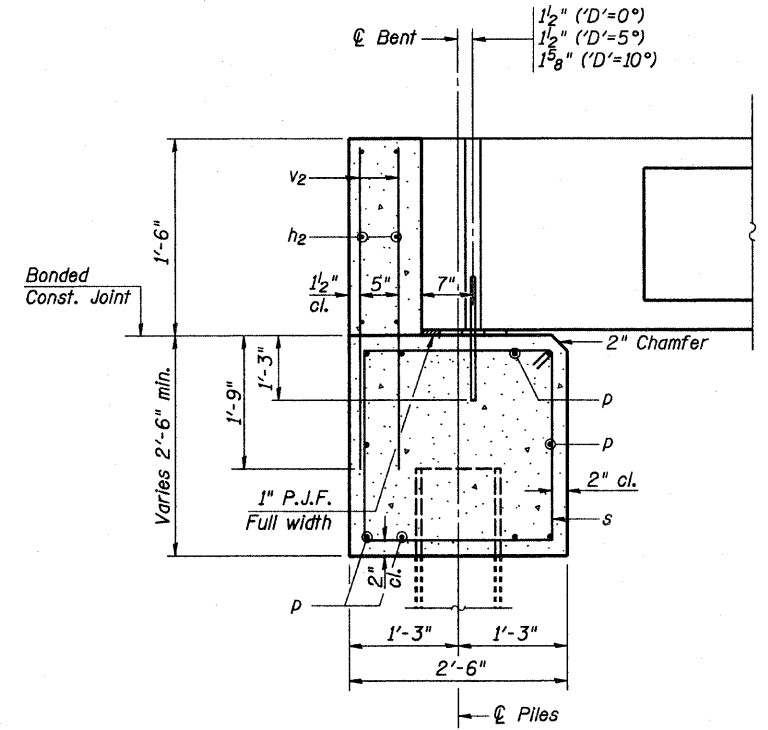
BAR s

NOTES

1. The Backwall and the portion of the Wingwalls above the bonded construction joint shall be cast against the in-place beam.
2. Reinforcement bars shall conform to the requirements of A.A.S.H.T.O. M-31 or M-322, Grade 60.
3. Space reinforcement in cap to miss anchor bolts.

DESIGN STRESSES

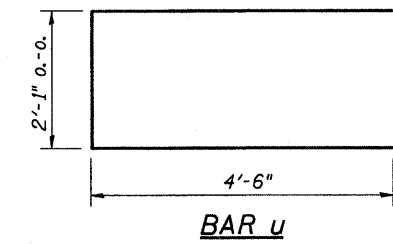
$f'_c = 3,500 \text{ psi}$
 $f_y = 60,000 \text{ psi}$



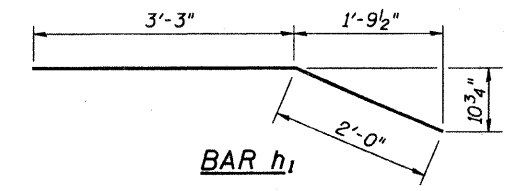
SECTION THRU ABUTMENT
(At Right Angles)

BILL OF MATERIAL FOR ONE ABUTMENT

Bar	No.	Size	Length	Shape
h	16	#4	5'-0"	—
h1	4	#4	5'-3"	—
h2	6	#4	24'-9"	—
p	10	#7	24'-9"	—
s	27	#4	9'-5"	□
u	8	#6	11'-1"	—
v	8	#4	2'-6"	—
v1	8	#4	3'-5"	—
v2	50	#4	3'-1"	—
Concrete Structures			8.3 Cu. Yds.	
Reinforcement Bars			1120 Lb.	



BAR u



BAR h1

RHUTASEL and ASSOCIATES, INC.
CONSULTING ENGINEERS & LAND SURVEYORS
CENTRALIA, ILLINOIS FREEBURG, ILLINOIS

PREPARED FOR:
AECOM
200705482

Date: 08/15/2011
Design: WDL
Drawn: JSD
Job No.: 51010

**P.P.C. DECK BEAMS
PILE BENT ABUTMENT**
SECTION 07-06117-00-BR
MARION COUNTY
STATION 49+96