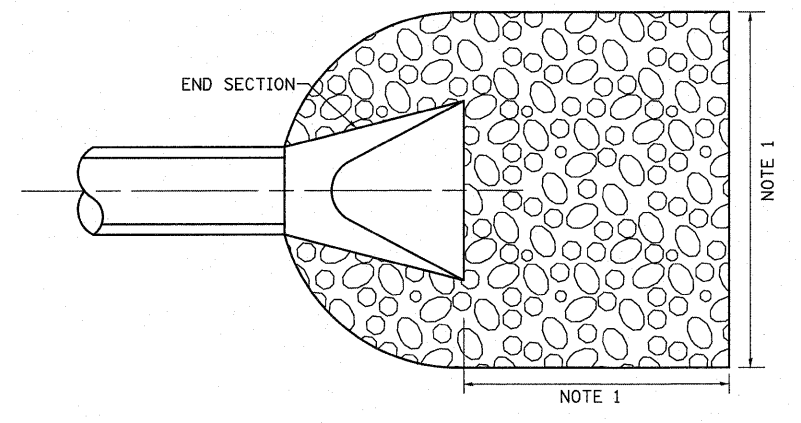
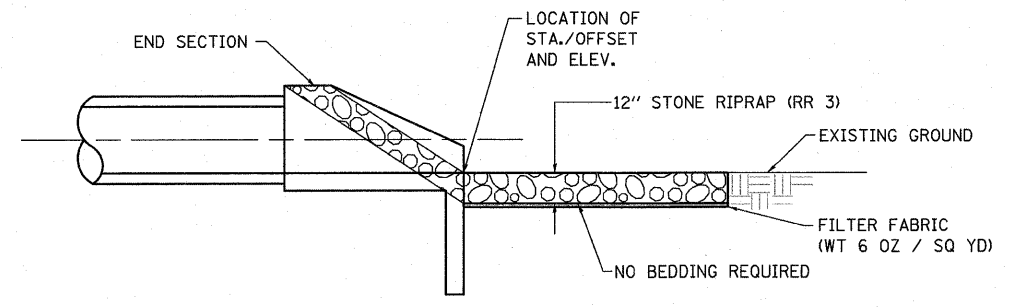
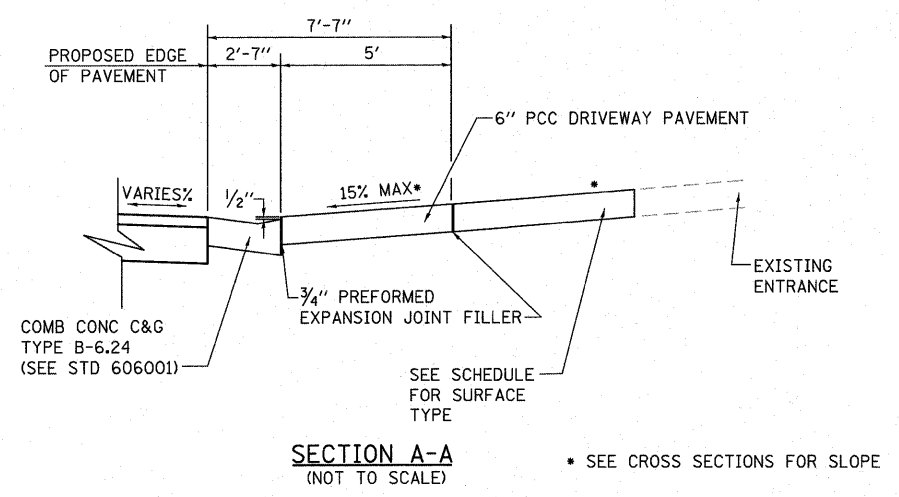


NOTES

1. SEE HIGHWAY STANDARD 720006 & STANDARD 729001 FOR SIGN PLACEMENT DETAILS



NOTE 1: SEE EROSION & SEDIMENT CONTROL SHEET FOR DIMENSIONS

TYPICAL RIPRAP DETAIL
(NOT TO SCALE)

FILE NAME =	USER NAME = randy	DESIGNED - TLC	REVISED -	STATE OF ILLINOIS DEPARTMENT OF TRANSPORTATION	CONSTRUCTION DETAILS			F.A.U. RTE.	SECTION	COUNTY	TOTAL SHEETS	SHEET NO.
h:\p\28013\microstation\load sheets\0828013-ahd-details.dgn	DRAWN - RGV	REVISED -	REVISED -					9302	08-00047-00-PV	MADISON	25	18
PLOT SCALE = 20.0000' / IN.	CHECKED -	REVISED -	REVISED -		S MAIN ST RECONSTRUCTION			CONTRACT NO. 97467				
PLOT DATE = 7/28/2011	DATE -	REVISED -	REVISED -		ILLINOIS FED. AID PROJECT							
				SCALE: NTS		SHEET NO. 1 OF 2 SHEETS		STA. TO STA.				