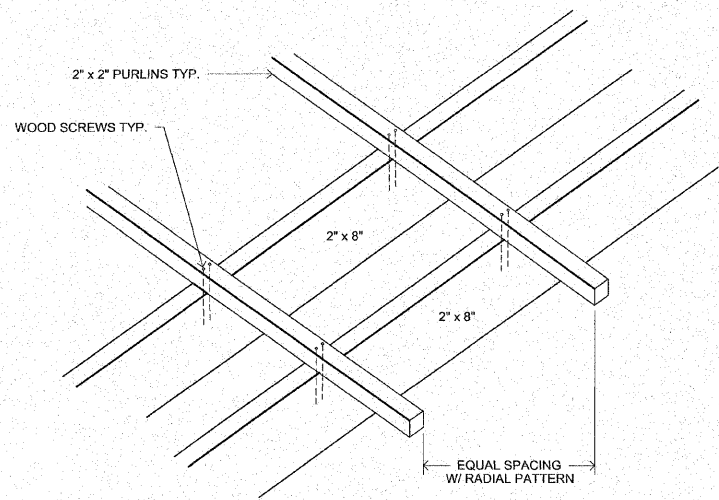
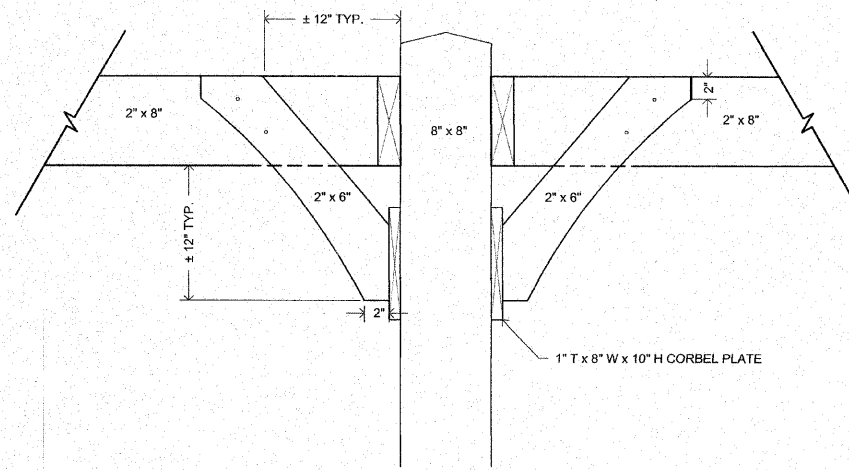


SECTION	COUNTY	TOTAL SHEETS	SHEET NO.
08-00021-00-PK	MADISON	12	9
CONTRACT NO. 97473			



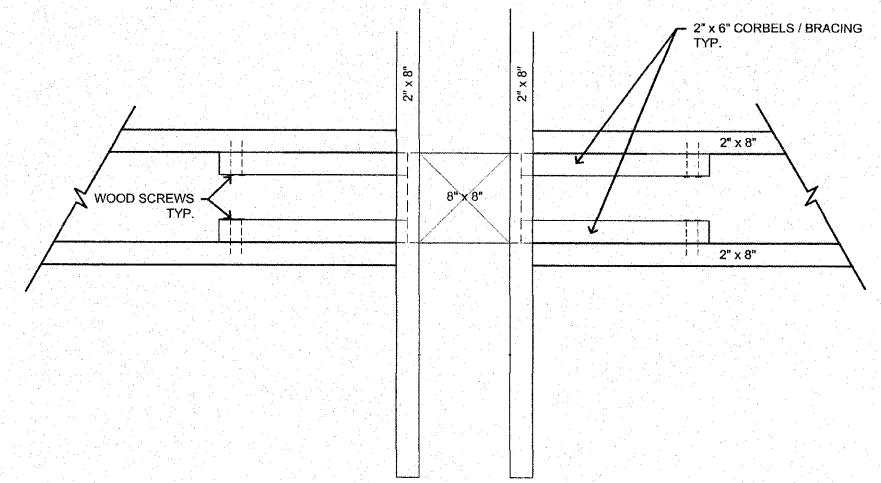
1  
L4  
**PURLIN ATTACHMENT**  
ISOMETRIC

02f-011  
NTS



2  
L4  
**INTERMEDIATE POST CORBELS (BRACING)**  
ELEVATION - CORNER POST SIMILAR

02f-012  
NTS



3  
L4  
**INTERMEDIATE POST CORBELS (BRACING)**  
PLAN - CORNER POST SIMILAR

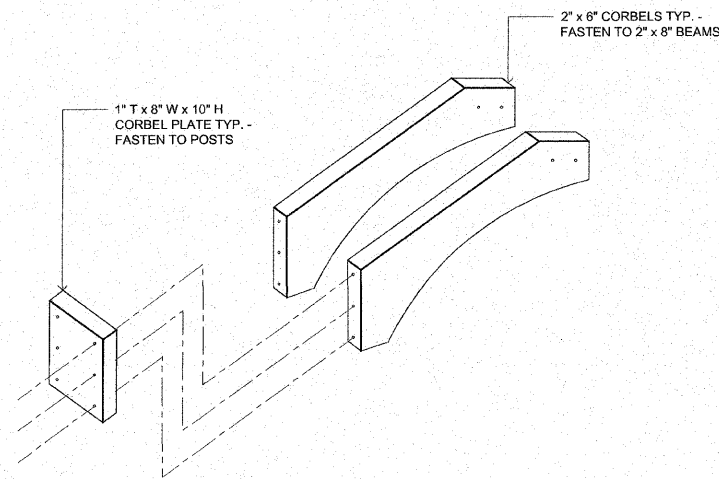
02f-013  
NTS

REVISIONS

**PDS**  
PLANNING DESIGN STUDIO  
727 North First Street, Suite 360  
Saint Louis, Missouri, 63102  
Phone (314) 241-3600

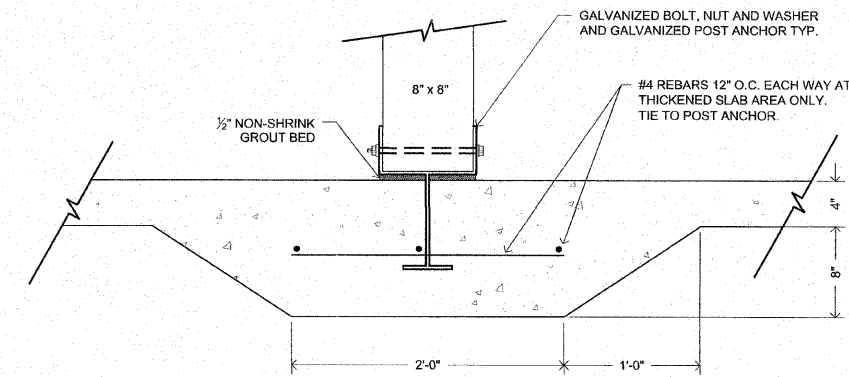
**IMPROVEMENT PLANS FOR HOFFMAN GARDENS  
VILLAGE OF GODFREY, ILLINOIS  
PERGOLA DETAILS "B"**

DWG. NO.	HOFFMAN PERGOLA DETAILS.DWG
REF. BK.	PG.
JOB NO.	437560
DSN. BY:	SJW/DDT
DWN. BY:	BOS
CHK. BY:	SJW
DATE:	MAY, 2011
SCALE:	N.T.S.
SHEET	L4 OF 12



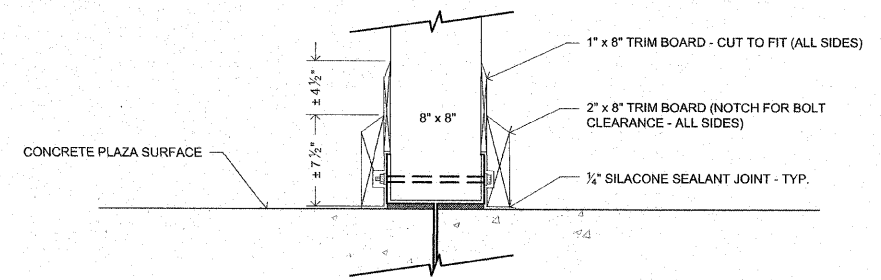
4  
L4  
**CORBEL BRACING**  
ISOMETRIC

02f-014  
NTS



5  
L4  
**POST ANCHOR DETAIL - TYP.**  
ELEVATION / SECTION

02f-009  
NTS



6  
L4  
**POST BASE TRIM DETAIL - TYP.**  
ELEVATION / SECTION

02f-010  
NTS