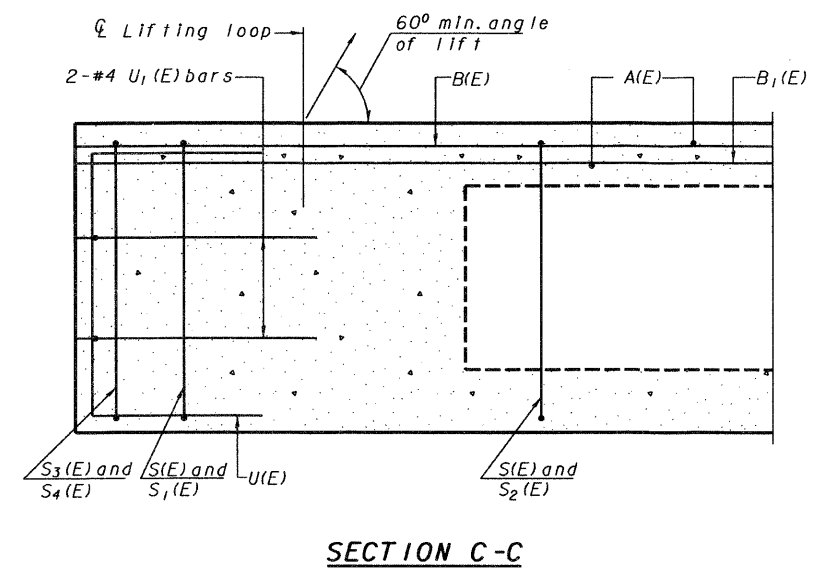
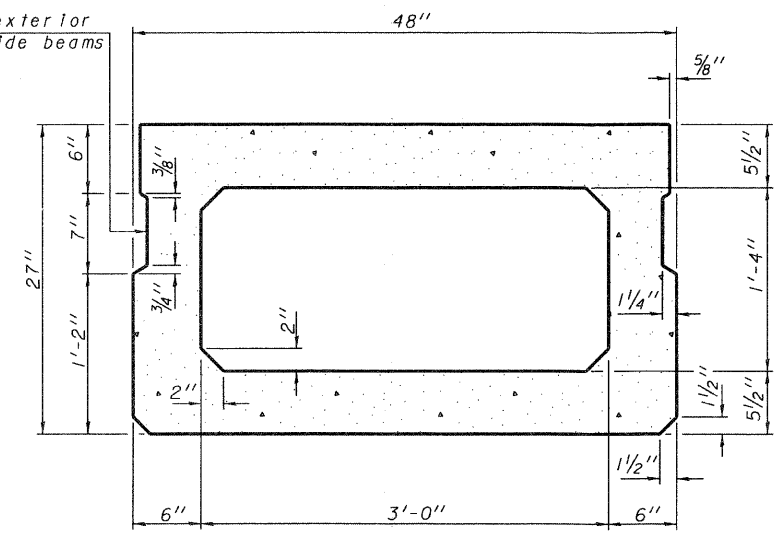


ROUTE	SECTION	COUNTY	TOTAL SHEETS	SHEET NUMBER
T.R. 126	06-0118B-00-BR	UNION	17	12
JOB NO. C-99-506-08		PROJECT NO. BROS-181 (042)		
SPANISH BLUFF ROAD		CONTRACT NO. 99337		

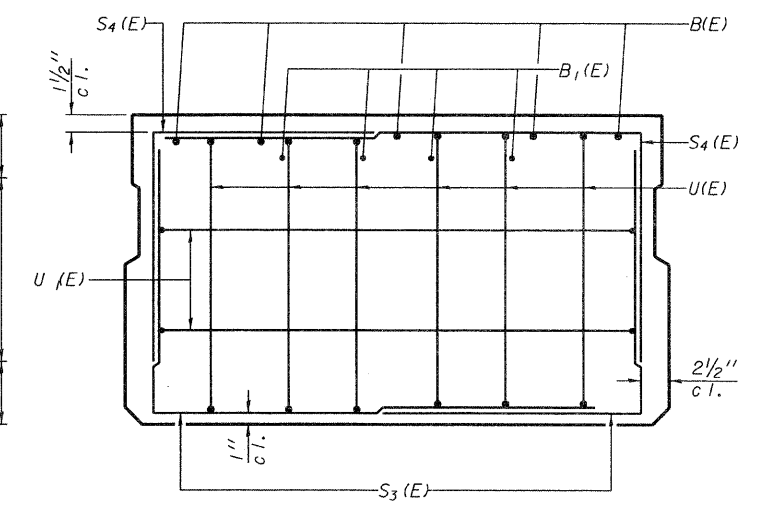


SECTION C-C

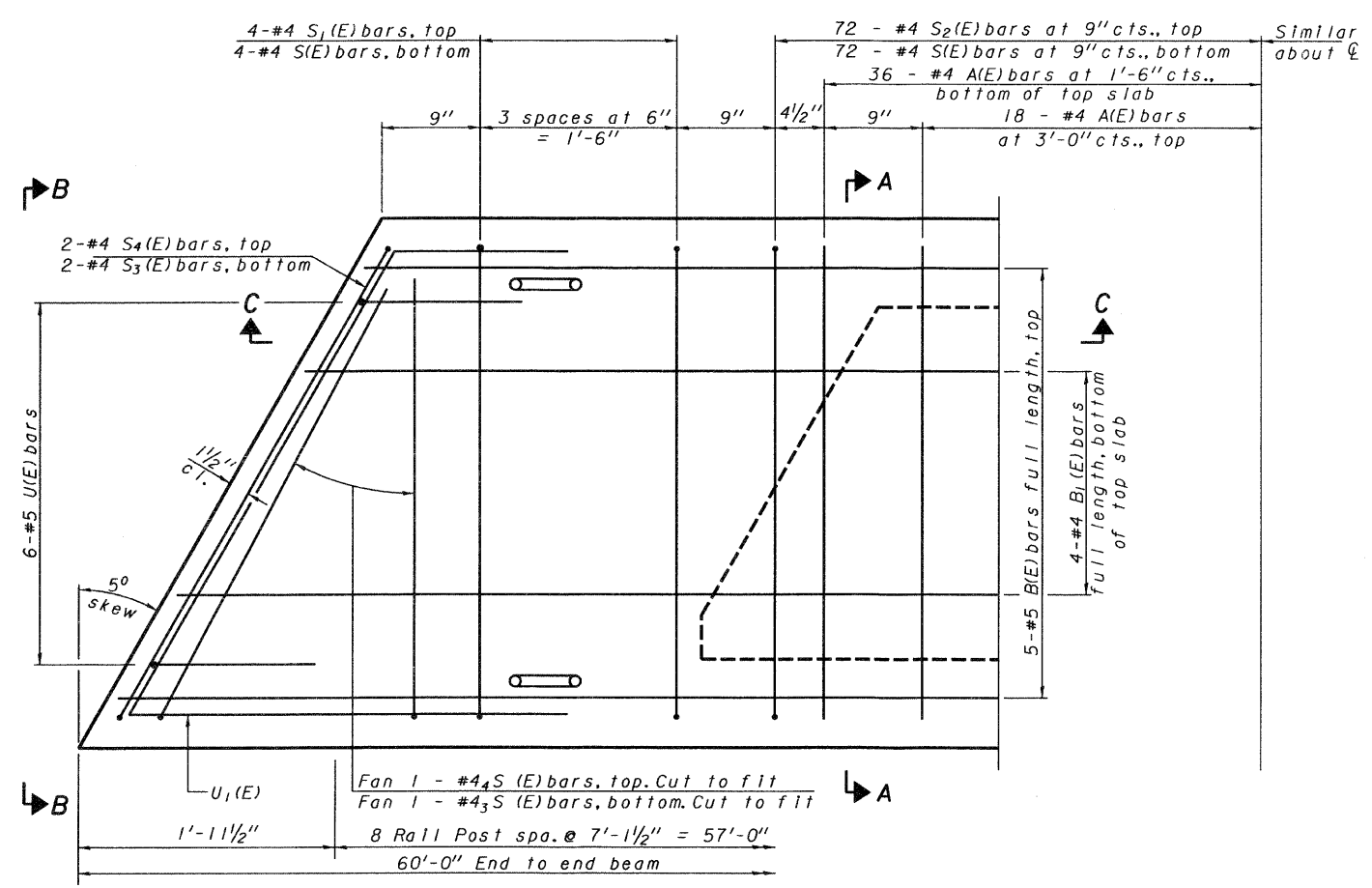
Omit key on exterior face of outside beams



SECTION A-A
(Showing dimensions)

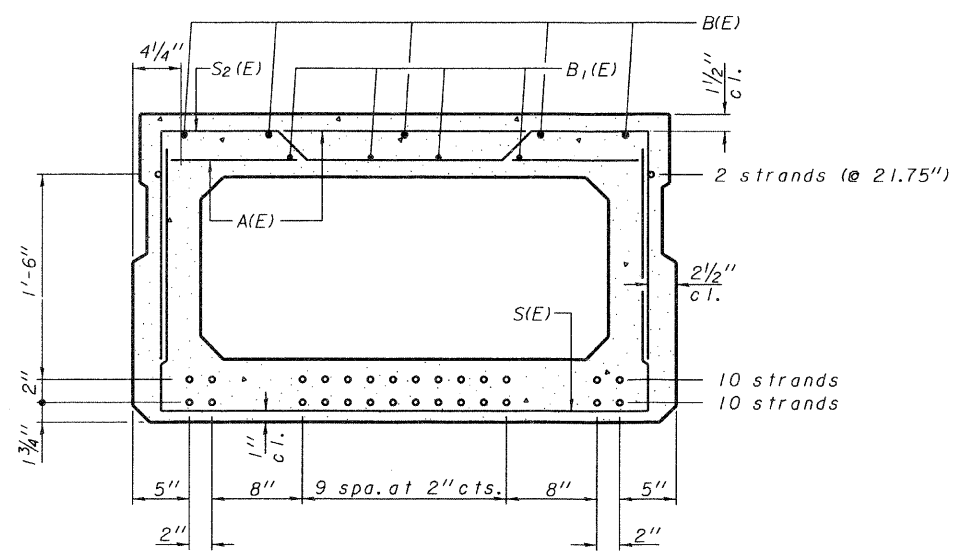


VIEW B-B



PLAN VIEW

Note: Spacing of S(E) and S2(E) bars may be adjusted up to 4" in the immediate area of the transverse tie diaphragms to miss the block outs for the transverse ties.



SECTION A-A
(Showing reinforcement and permissible strand locations)

Note: Place the number of strands specified in each row symmetrically about the centerline of beam in the permissible strand locations shown.

BAR LIST
ONE BEAM ONLY
(For information only)

Bar	No.	Size	Length	Shape
A(E)	43	#4	3'-7"	—
B(E)	20	#5	26'-3"	—
B1(E)	12	#4	18'-0"	—
S(E)	66	#4	7'-5"	┌
S1(E)	8	#4	6'-11"	┌
S2(E)	58	#4	7'-2"	┌
S3(E)	2	#4	5'-6"	┌
S4(E)	2	#4	5'-3"	┌
U(E)	12	#5	4'-6"	┌
U1(E)	4	#4	6'-9"	┌

Note: See sheet 15 of 19 for additional details and Bill of Material.

MINIMUM BAR LAP
#4 bar = 2'-0"
#5 bar = 2'-6"

UNION COUNTY HIGHWAY DEPARTMENT UNION COUNTY, ILLINOIS
SPANISH BLUFF ROAD
27" X 48" PPC DECK BEAMS