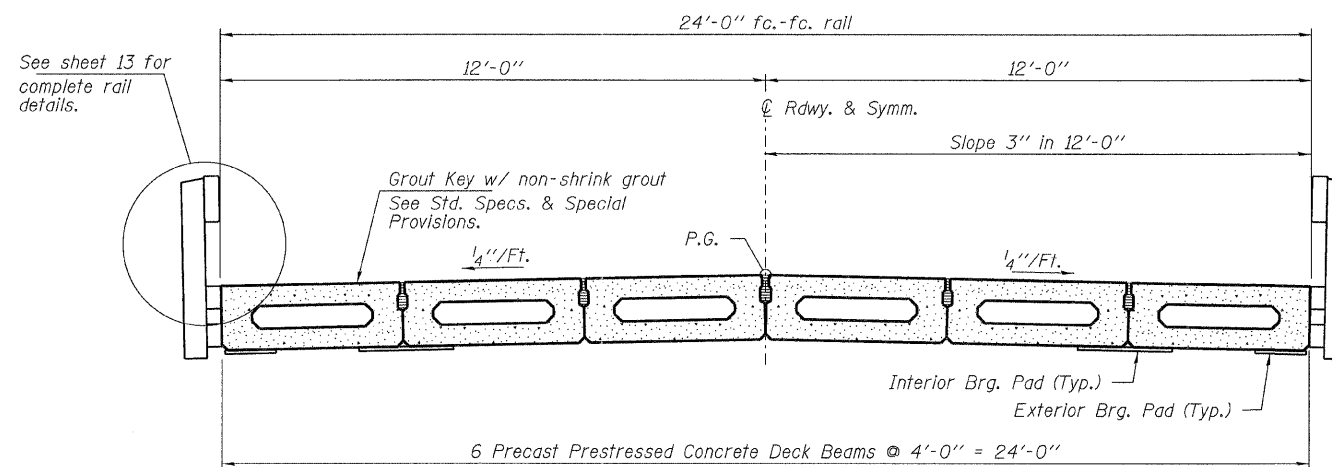
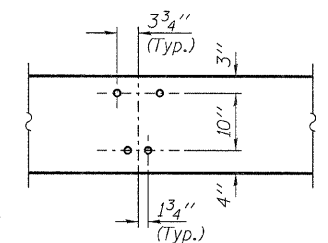


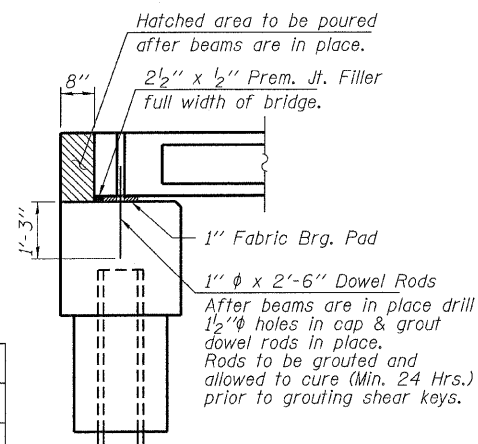
ELEVATION
Showing Rail Post Spaces
See sheet 13 for Railing Details.



CROSS SECTION
See sheets 10 & 11 for Superstructure.



DETAIL A



SECTION AT ABUTMENTS
© Rf. L's

DESIGNED -	A.S.L.
CHECKED -	S.W.M.
DRAWN -	D.A.B.
CHECKED -	S.W.M.

SUPERSTRUCTURE DETAILS
STRUCTURE NO. 028-3406

HAMPTON, LENZINI AND RENWICK, INC. CIVIL ENGINEERS - STRUCTURAL ENGINEERS - LAND SURVEYORS HLR 3085 STEVENSON DRIVE, SUITE 201 SPRINGFIELD, ILLINOIS 62703 217.546.3400 www.hlrenwrick.com 164.000889 ILLINOIS PROFESSIONAL DESIGN FIRM LS / PE / SE CORPORATION PROJECT NUMBER: 09.0150.130 DATE: 02/07/11	T.R.	SECTION	COUNTY	TOTAL SHEETS	SHEET NO.
	272	08-02136-00-BR	FRANKLIN	16	12
BENTON ROAD DISTRICT			CONTRACT NO. 99426		
FED. ROAD DIST. NO.		ILLINOIS FED. AID PROJECT BR05-0055(061)			