

STATE OF ILLINOIS  
DEPARTMENT OF TRANSPORTATION

F.A.P. RTE.	SECTION	COUNTY	TOTAL SHEETS	SHEET NO.
506	(125B-1)BDR	HANCOCK	14	1
		ILLINOIS	CONTRACT NO. 72N47	

FOR INDEX OF SHEETS, SEE SHEET NO. 2

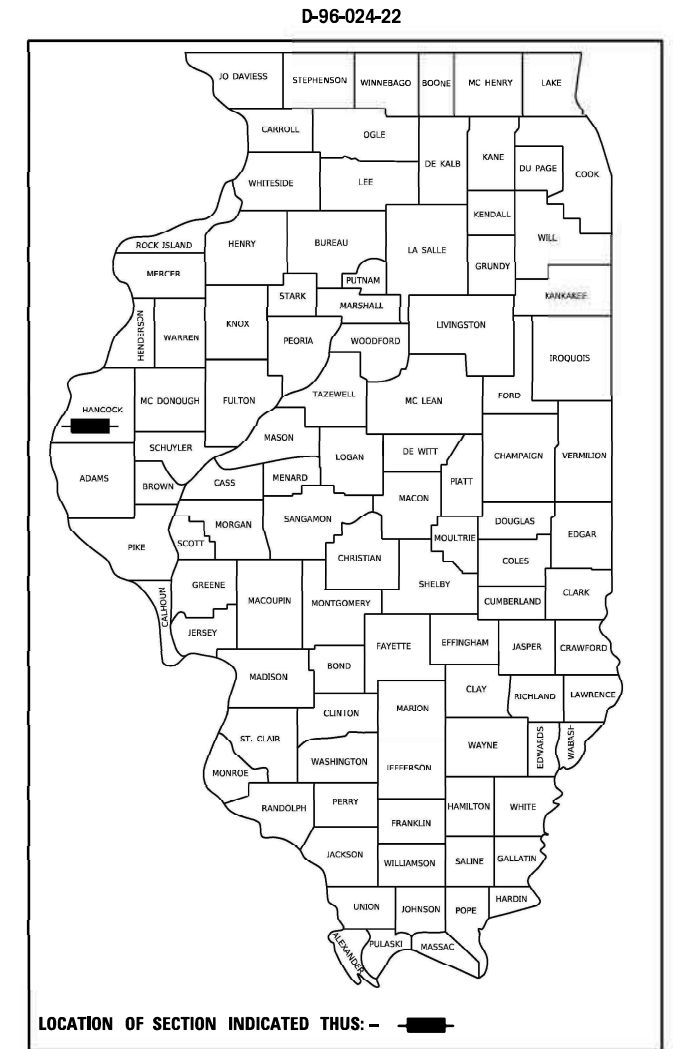
# PROPOSED HIGHWAY PLANS

FAP ROUTE 506 (IL 96)  
SECTION (125B-1)BDR  
PROJECT HBFP-AFRB(981)  
BRIDGE DECK OVERLAY  
HANCOCK COUNTY

C-96-028-22

## HIGHWAY CLASSIFICATION

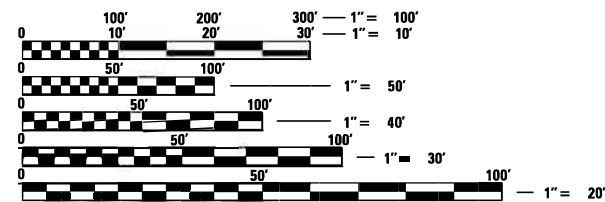
- MINOR ARTERIAL
- ADT - 2,000 (2021)
- DESIGN SPEED - 60 MPH
- POSTED SPEED - 55 MPH
- PV = 85.50%
- SV = 6.00%
- MU = 8.50%



PROJECT ENDS  
STA. 714+47.92

EXISTING SN 034-0068  
BRIDGE DECK OVERLAY

PROJECT BEGINS  
STA. 711+60.08



FULL SIZE PLANS HAVE BEEN PREPARED USING STANDARD ENGINEERING SCALES. REDUCED SIZED PLANS WILL NOT CONFORM TO STANDARD SCALES. IN MAKING MEASUREMENTS ON REDUCED PLANS, THE ABOVE SCALES MAY BE USED.

J.U.L.I.E.  
JOINT UTILITY LOCATION INFORMATION FOR EXCAVATORS  
1-800-892-0123  
OR 811

PROJECT ENGINEER JAY EDWARDS (217) 785-0597  
PROJECT MANAGER JONATHAN COX (217) 782-1378

CONTRACT NO. 72N47

STATE OF ILLINOIS  
DEPARTMENT OF TRANSPORTATION

SUBMITTED August 26 20 22

*Jeffrey P. Myers* REGIONAL ENGINEER  
October 14, 2022

*Steph M. Smith* ENGINEER OF DESIGN AND ENVIRONMENT  
October 14, 2022  
DIRECTOR OF HIGHWAYS PROJECT IMPLEMENTATION

PRINTED BY THE AUTHORITY  
OF THE STATE OF ILLINOIS

**STANDARDS**

000001-08	STANDARDS SYMBOLS, ABBREVIATIONS, AND PATTERNS
630001-12	STEEL PLATE BEAM GUARDRAIL
630301-09	SHOULDER WIDENING FOR TYPE 1(SPECIAL) GUARDRAIL TERMINALS
631031-17	TRAFFIC BARRIER TERMINAL, TYPE 6
701001-02	OFF ROADS OPERATIONS, 2L,2W, MORE THAN 15' AWAY FROM PAVEMENT EDGE
701006-05	OFF ROADS OPERATIONS, 2L,2W, 15'-24" FROM PAVEMENT EDGE
701011-04	OFF ROADS MOVING OPERATIONS 2L,2W DAY ONLY
701201-05	LANE CLOSURE 2L,2W, DAY ONLY, FOR SPEEDS ≥ 45 MPH
701301-04	LANE CLOSURE 2L,2W, SHORT TERM OPERATIONS
701311-03	LANE CLOSURE, 2L, 2W, MOVING OPERATIONS -DAY ONLY
701316-13	LANE CLOSURE, 2L,2W, BRIDGE REPAIR FOR SPEEDS ≥ 45 MPH
701326-04	LANE CLOSURE, 2L,2W, PAVEMENT WIDENING, FOR SPEEDS ≥ 45 MPH
701901-08	TRAFFIC CONTROL DEVICES
780001-05	TYPICAL PAVEMENT MARKINGS
725001-01	OBJECT AND TERMINAL MARKERS
782006-01	GUARDRAIL AND BARRIER WALL REFLECTOR MOUNTING DETAILS
001006	DECIMAL OF AN INCH AND OF A FOOT
610001-09	SHOULDER INLET WITH CURB

**INDEX OF SHEETS**

1	COVER SHEET
2	INDEX OF SHEETS, LIST OF STANDARDS, GENERAL NOTES AND COMMITMENTS
3	SUMMARY OF QUANTITIES
4-5	SCHEDULE OF QUANTITIES
6	034-0068 ROADWAY TYPICALS
7	034-0068 PLAN SHEET
8	BUTT JOINT DETAIL SHEET
9	034-0068 STRUCTURE PLAN
10	034-0068 STAGING TYPICAL
11	034-0068 EXISTING PLAN SHEET
12-13	034-0068 STAGING SHEET
14	MAX-WIDTH SIGN DETAIL

**GENERAL NOTES**

1. THE FOLLOWING MIXTURE REQUIREMENTS ARE APPLICABLE

LOCATIONS	IL 96
MIXTURE USE(S)	HMA CONC SURF CSE
AC/PG	PG 64-22
DESIGN AIR VOIDS	4.0% @ N DESIGN - 50
MIXTURE COMPOSITION (GRADATION MIXTURE)	IL 9.5
FRICTION AGGREGATE	MIX "C"
QUALITY MANAGEMENT	QC/QA
SUBLOT SIZE	1,000 TONS

2. AREAS OF DECK REPAIRS SHOWN ARE ESTIMATED, THE ENGINEER SHALL SHOW ACTUAL LOCATIONS OF DECK REPAIRS ON AS-BUILT PLANS.
3. ANY FULL DEPTH PATCHES THAT ARE DISCOVERED SHALL BE COVERED WITH STEEL PLATES WHEN WORKERS AREN'T PRESENT.
4. SYNTHETIC FIBERS ARE NOT REQUIRED FOR THE BRIDGE DECK MICROSILICA CONCRETE OVERLAY.

**RATE TABLE**

THE FOLLOWING RATES OF APPLICATION HAVE BEEN ASSUMED IN CALCULATING PLAN QUANTITIES.

0.025 LBS/SQ FT (HMA LIFTS)

BITUMINOUS MATERIALS (TACK COAT): 0.05 LBS/SQ FT (MILLING)

HMA SURFACE MIX "C": 0.056 TONS/SQ YD

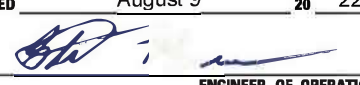
AGGREGATE SHOULDERS: 1.60 TONS/CU YD

**COMMITMENTS**


NONE

**STATE OF ILLINOIS  
DEPARTMENT OF TRANSPORTATION  
DIVISION OF HIGHWAYS  
DISTRICT 6**


---

EXAMINED August 9, 2022  
  
ENGINEER OF OPERATIONS

---

EXAMINED August 22, 2022  
  
ENGINEER OF PROJECT IMPLEMENTATION

---

EXAMINED August 16, 2022  
  
ENGINEER OF PROGRAM DEVELOPMENT

REV. - MS

MODEL: D:\dsh\11... FILE NAME: p:\illinois\p\illinois\documents\DOT\_Offices\District\_6\Projects\0672N47\CA\00data\_55\0672N47\CA\00data\_55\0672N47\CA\00data\_55\0672N47\CA\00data.dgn

USER NAME = Nicholas.Rowden DESIGNED - DRAWN - PLOT SCALE = 100.0203' / in. CHECKED - PLOT DATE = 8/25/2022 DATE -	REVISED - REVISED - REVISED - REVISED -	<b>STATE OF ILLINOIS DEPARTMENT OF TRANSPORTATION</b>	<b>INDEX OF SHEETS, HIGHWAY STANDARDS &amp; GENERAL NOTES</b>	SCALE: SHEET 1 OF 1 SHEETS STA. TO STA.	F.A.P. RTE. SECTION COUNTY TOTAL SHEETS SHEET NO. 506 (125B-1)BDR HANCOCK 14 2 CONTRACT NO. 72N47 ILLINOIS FED. AID PROJECT
--	--	---	---	---	--

CODE NO.	ITEM	UNIT	TOTAL QUANTITY	6-01504-0000
				80% FEDERAL 20% STATE BRIDGE 0059 034-0068
40600290	BITUMINOUS MATERIALS (TACK COAT)	POUND	266	266
40600982	HOT-MIX ASPHALT SURFACE REMOVAL - BUTT JOINT	SQ YD	591	591
40600990	TEMPORARY RAMP	SQ YD	42	42
40604050	HOT-MIX ASPHALT SURFACE COURSE, 1L-9.5, MIX "C", N50	TON	58	58
48102100	AGGREGATE WEDGE SHOULDER, TYPE B	TON	8	8
48203100	HOT-MIX ASPHALT SHOULDERS	TON	10	10
50300260	BRIDGE DECK GROOVING	SQ YD	500	500
50300300	PROTECTIVE COAT	SQ YD	532	532
* 63000001	STEEL PLATE BEAM GUARDRAIL, TYPE A, 6 FOOT POSTS	FOOT	474	474
* 63100085	TRAFFIC BARRIER TERMINAL, TYPE 6	EACH	4	4
* 63100167	TRAFFIC BARRIER TERMINAL, TYPE 1 (SPECIAL) TANGENT	EACH	4	4
63200310	GUARDRAIL REMOVAL	FOOT	455	455
67000400	ENGINEER'S FIELD OFFICE, TYPE A	CAL MO	6	6
67100100	MOBILIZATION	L SUM	1	1
70100100	TRAFFIC CONTROL AND PROTECTION, STANDARD 701316	EACH	1	1
70100450	TRAFFIC CONTROL AND PROTECTION, STANDARD 701201	L SUM	1	1
70100500	TRAFFIC CONTROL AND PROTECTION, STANDARD 701326	L SUM	1	1
70106500	TEMPORARY BRIDGE TRAFFIC SIGNALS	EACH	1	1

\* SPECIALTY ITEM

CODE NO.	ITEM	UNIT	TOTAL QUANTITY	6-01504-0000
				80% FEDERAL 20% STATE BRIDGE 0059 034-0068
70107025	CHANGEABLE MESSAGE SIGN	CAL DA	30	30
70300100	SHORT TERM PAVEMENT MARKING	FOOT	51	51
70300150	SHORT TERM PAVEMENT MARKING REMOVAL	SQ FT	8	8
* 72501000	TERMINAL MARKER - DIRECT APPLIED	EACH	4	4
* 78001120	PAINT PAVEMENT MARKING - LINE 5"	FOOT	1151	1151
* 78200005	GUARDRAIL REFLECTORS, TYPE A	EACH	11	11
78300200	RAISED REFLECTIVE PAVEMENT MARKER REMOVAL	EACH	2	2
78300201	PAVEMENT MARKING REMOVAL - GRINDING	SQ FT	480	480
X6024503	INLETS TO BE ADJUSTED WITH NEW FRAME AND GRATE (SPECIAL)	EACH	2	2
X7200201	WIDTH RESTRICTION SIGNING	L SUM	1	1
Z0012130	BRIDGE DECK SCARIFICATION 3/4"	SQ YD	532	532
Z0012164	BRIDGE DECK MICROSILICA CONCRETE OVERLAY 2 1/2"	SQ YD	532	532
Z0016002	DECK SLAB REPAIR (FULL DEPTH, TYPE II)	SQ YD	5	5
Z0041895	POLYMER CONCRETE	CU FT	6	6

REV. - MS

MODEL: Default  
FILE NAME: \\p1\j\int-pix-bentley.com\PI\DOT\Documents\DOT\_Offices\District\_8\Projects\0672\N47\CAD\Draw\_SSI\034\Sheets\0672\N47-she-500.dgn

USER NAME = Nicholas.Rowden	DESIGNED -	REVISED -
PLOT SCALE = 100.2094 " / in.	DRAWN -	REVISED -
PLOT DATE = 8/25/2022	CHECKED -	REVISED -
	DATE -	REVISED -

**STATE OF ILLINOIS  
DEPARTMENT OF TRANSPORTATION**

**SUMMARY OF QUANTITIES**

SCALE: SHEET 1 OF 1 SHEETS STA. TO STA.

F.A.P. RTE. 506	SECTION (125B-1)BDR	COUNTY HANCOCK	TOTAL SHEETS 14	SHEET NO. 3
CONTRACT NO. 72N47				ILLINOIS FED. AID PROJECT

LOCATION	AVERAGE THICK	LENGTH	WIDTH	AREA	48102100
	(INCHES)	(FOOT)	(FOOT)	(CU YD)	AGGREGATE WEDGE SHOULDERS (TON)
FAP 506 (IL 96)					
SN 034-0068					
711+60.08 TO 712+30.08	X2 1.4	70.0	4.0	2.42	3.87
713+77.92 TO 714+47.92	X2 1.4	70.0	4.0	2.42	3.87
TOTAL					8

LOCATION	LENGTH (FOOT)	WIDTH (FOOT)	40600290
			BITUMINOUS MATERIALS (TACK COAT) (MILLING) (POUND)
FAP 506 (IL 96)			
SN 034-0068			
711+60.08 TO 712+30.08	70.00	38.00	133.00
713+77.92 TO 714+47.92	70.00	38.00	133.00
TOTAL			266

LOCATION	LENGTH (FOOT)	WIDTH (FOOT)	40600982	40604050
			HMA SURF REM - BUTT JOINT (SQ YD)	HMA SURF CRSE, 1L 9.5, MIX "C", N50 (TON)
FAP 506 (IL 96)				
SN 034-0068				
711+60.08 TO 712+30.08	70.0	38.0	295.56	28.96
713+77.92 TO 714+47.92	70.0	38.0	295.56	28.96
TOTAL			591	58

LOCATION	78300200
	RAISED REFLECTIVE PAVEMENT MARKING REMOVAL (EACH)
FAP 304 (IL 96)	
SN 075-0075	
711+60.08 TO 714+47.92	2
TOTAL	2

LOCATION	LENGTH (FOOT)	WIDTH (FOOT)	SHOULD THICK (INCHES)	48203100
				HOT-MIX ASPHALT SHOULDERS (TON)
FAP 506 (IL 96)				
SN 034-0068				
711+60.08 TO 712+30.08	X2 70	4.0	1.5	5.23
713+77.92 TO 714+47.92	X2 70	4.0	1.5	5.23
TOTAL				10

LOCATION	LENGTH (FOOT)	WIDTH (FOOT)	40600990
			TEMPORARY RAMP (SQ YD)
FAP 506 (IL 96)			
SN 034-0068			
711+60.08 TO 711+65.08	5.0	38.0	21
712+25.08 TO 712+30.08	5.0	38.0	21
713+77.92 TO 713+82.92	5.0	38.0	21
714+42.92 TO 714+47.92	5.0	38.0	21
TOTAL			42

LOCATION	LENGTH (FOOT)	WIDTH (FOOT)	X6024503
			INLETS TO BE RECONSTRUCTED WITH NEW FRAME AND GRATE, SPECIAL (EACH)
SN 034-0068			
BRIDGE APPROACH			
712+30.08 TO 712+60.08	30.0	38.0	2
TOTAL			2

REV. - MS

MODEL: D:\paur\... FILE NAME: pwr\illdot\pwr\Documents\DOT - Offices\District 6\Projects\627M17\CADData\_5510\CAD\Sheets\627M17\_she\_schedule.dgn

USER NAME = Nicholas Rowden	DESIGNED -	REVISED -
	DRAWN -	REVISED -
PLOT SCALE = 99.9986' / in.	CHECKED -	REVISED -
PLOT DATE = 8/22/2022	DATE -	REVISED -

**STATE OF ILLINOIS  
DEPARTMENT OF TRANSPORTATION**

SCHEDULE OF QUANTITIES			
SCALE:	SHEET 1 OF 1 SHEETS	STA.	TO STA.

F.A.P. RTE.	SECTION	COUNTY	TOTAL SHEETS	SHEET NO.
506	(125B-1)BDR	HANCOCK	14	4
CONTRACT NO. 72N47				
ILLINOIS FED. AID PROJECT				

LOCATION	63000001 SPBGR TA, 6 FT POSTS (FOOT)	63100085 TRAFFIC BARRIER TERMINAL, TYPE 6 (EACH)	63100167 TRAF BAR TERM TYPE 1 (SP) TAN (EACH)	63200310 GUARDRAIL REMOVAL (FOOT)	72501000 TERMINAL MARKER - DIRECT APPLIED (EACH)	78200005 GUARDRAIL REFLECTORS, TYPE A (EACH)
<b>FAP 506 (IL 96)</b>						
<b>SN 034-0068</b>						
711+80.12 TO 712+61.96 LT	87.5	1	1	81.8	1	2
711+28.83 TO 712+61.96 RT	137.0	1	1	133.1	1	3
713+52.78 TO 714+82.53 LT	137.0	1	1	129.8	1	3
713+52.78 TO 714+63.48 RT	112.0	1	1	110.7	1	3
<b>TOTAL</b>	<b>474</b>	<b>4</b>	<b>4</b>	<b>455.4</b>	<b>4</b>	<b>11</b>

LOCATION	78001120 5"			78300201
	PAINT PAVEMENT MARKING (YELLOW SKIP-DASH) (FOOT)	PAINT PAVEMENT MARKING (WHITE SOLID) (FOOT)	PAINT PAVEMENT MARKING (YELLOW DOUBLE SOLID) (FOOT)	PAVEMENT MARKING REMOVAL-GRINDING (SQ FT)
<b>FAP 304 (IL 96)</b>				
<b>SN 034-0068</b>				
711+60.08 TO 714+47.92 X2		575.68	575.68	479.73
<b>TOTAL</b>		<b>1151</b>		<b>480</b>

LOCATION	LENGTH (FOOT)	70300100	70300150
		SHORT TERM PAVEMENT MARKING (FOOT)	SHORT TERM PAVEMENT MARKING REMOVAL (SQ FT)
<b>FAP 506 (IL 96)</b>			
<b>SN 034-0068</b>			
711+60.08 TO 714+12.92	252.84	25.28	8.43
SCARAFICATION		25	
SURFACE COURSE		25	
<b>TOTAL</b>		<b>51</b>	<b>8</b>

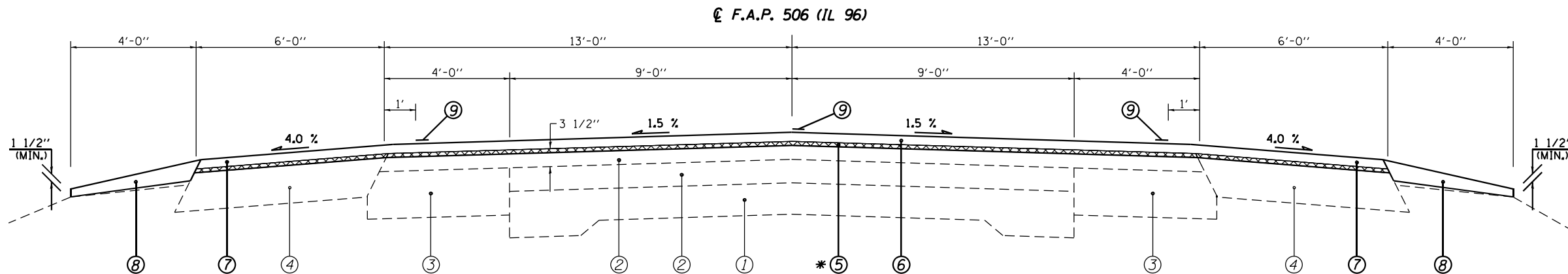
MODEL: Def-aulk  
 FILE NAME: Proj\Illinois\paw\_bentlby.com\PRJ\DOT\Documents\DOT\_Offices\Bht.ttl @Project\0627N47\CADData\SS\0\CD\shewls\0627N47-shewls.tbl.rgn

USER NAME = Nicholas.Rowden	DESIGNED -	REVISED -
	DRAWN -	REVISED -
PLOT SCALE = 100.1184' / in.	CHECKED -	REVISED -
PLOT DATE = 8/19/2022	DATE -	REVISED -

**STATE OF ILLINOIS  
DEPARTMENT OF TRANSPORTATION**

SCHEDULE OF QUANTITIES			
SCALE:	SHEET 1	OF 1 SHEETS	STA. TO STA.

F.A.P. RTE.	SECTION	COUNTY	TOTAL SHEETS	SHEET NO.
506	(125B-1)BDR	HANCOCK	14	5
CONTRACT NO. 72N47				
ILLINOIS FED. AID PROJECT				



STA. 711+60.08 TO STA. 712+30.08 [70']  
 STA. 713+77.92 TO STA. 714+47.92 [70']

**BRIDGE OVERLAY**  
 S.N.: 034-0068  
 STA 712+30.08 TO  
 STA 713+77.92

**LEGEND**

- ① EXIST. P.C.C. PAVEMENT 9"-6"-9"
- ② EXIST. BITUMINOUS OVERLAY
- ③ EXIST. BITUMINOUS CONCRETE BASE COURSE WIDENING 9"
- ④ EXIST. BITUMINOUS SHOULDERS 8"
- ⑤ PROP. HOT-MIX ASPHALT SURFACE REMOVAL, BUTT JOINT
- ⑥ PROP. HOT-MIX ASPHALT SURFACE COURSE, MIX "C", N50
- ⑦ PROP. HOT-MIX ASPHALT SHOULDERS
- ⑧ PROP. AGGREGATE WEDGE SHOULDER, TYPE B
- ⑨ PROP. PAINT PAVEMENT MARKING - LINE 5"

\* NOMINAL BUTT JOINT DEPTH 3/4"

MODEL: Default  
 FILE NAME: \\s:\illinois\pww\dot\documents\dot\offices\district\6\projects\672\147\CAD\data\551\DCAD\pww\672\147\shc5\typical.dgn

USER NAME = Nicholas, Rowcen	DESIGNED -	REVISED -
	DRAWN -	REVISED -
PLOT SCALE = 99,9768' / in.	CHECKED -	REVISED -
PLOT DATE = 8/19/2022	DATE -	REVISED -

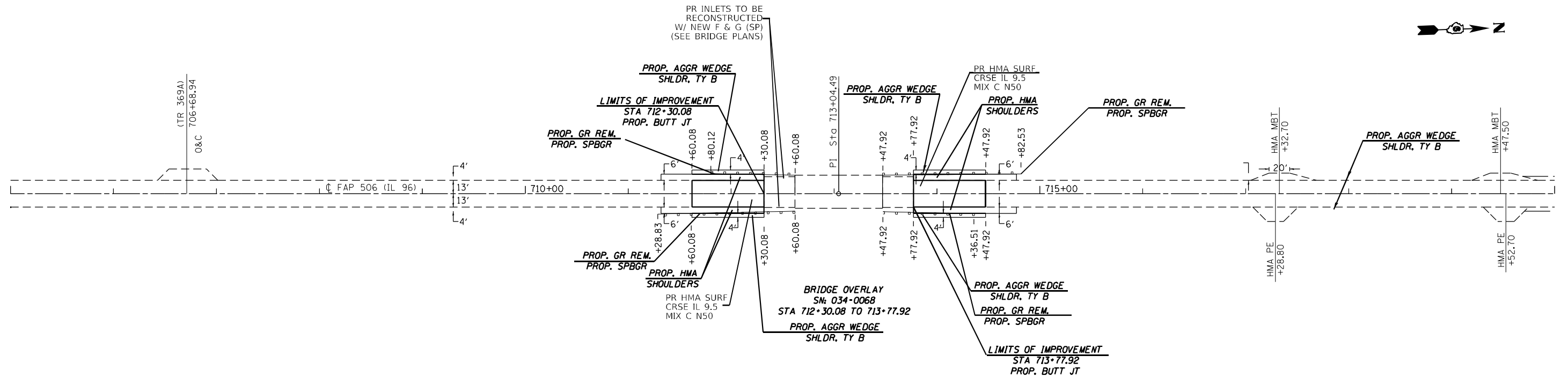
**STATE OF ILLINOIS  
 DEPARTMENT OF TRANSPORTATION**

**IL 96 TYPICAL SECTION**

SCALE: SHEET 1 OF 1 SHEETS STA. TO STA.

F.A.P. RTE.	SECTION	COUNTY	TOTAL SHEETS	SHEET NO.
506	(125B-1)BDR	HANCOCK	14	6
CONTRACT NO. 72N47			ILLINOIS FED. AID PROJECT	

MODEL: Data; FILE: NAME; PROJECT: ...



USER NAME = Nicholas,Rowden	DESIGNED -	REVISED -
	DRAWN -	REVISED -
PLOT SCALE = 100,0641 * / in.	CHECKED -	REVISED -
PLOT DATE = 8/22/2022	DATE -	REVISED -

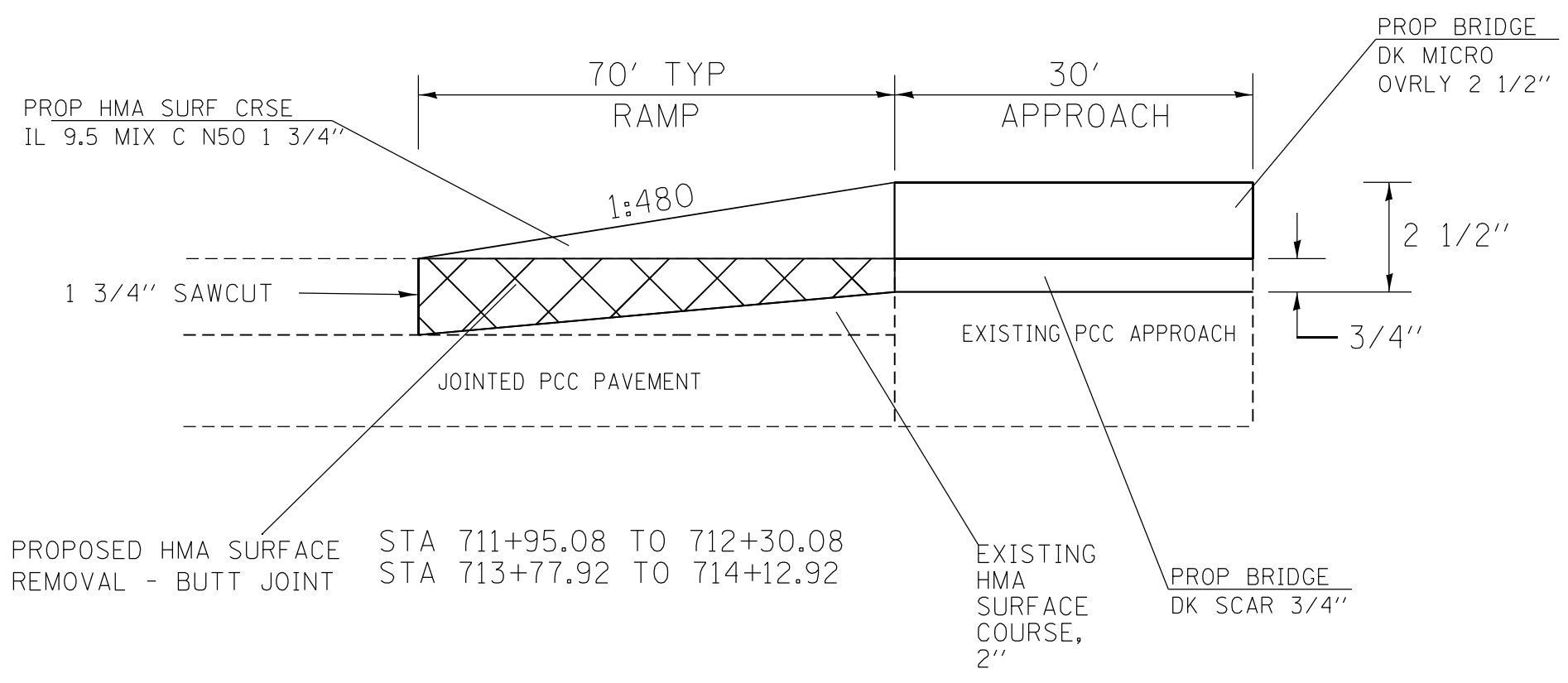
DESIGNED -	REVISED -
DRAWN -	REVISED -
CHECKED -	REVISED -
DATE -	REVISED -

**STATE OF ILLINOIS  
DEPARTMENT OF TRANSPORTATION**

**IL 96 PLAN SHEET**

SCALE: SHEET 1 OF 1 SHEETS STA. TO STA.

F.A.I RTE.	SECTION	COUNTY	TOTAL SHEETS	SHEET NO.
55	(125B-1)BDR	HANCOCK	14	7
ILLINOIS FED. AID PROJECT			CONTRACT NO. 72N47	



BUTT JOINT DETAIL

MODEL: Default  
 FILE: I:\data\p\114808-010-bentley.com\PROJECTS\DOT\Office\District 6\Projects\0672471\CADD\DATA\_55\0\CAD\Sheet\0672471-ctb.dwg

USER NAME = Nicholas.Rowden	DESIGNED -	REVISED -
	DRAWN -	REVISED -
PLOT SCALE = 100.0200' / in.	CHECKED -	REVISED -
PLOT DATE = 8/17/2022	DATE -	REVISED -

**STATE OF ILLINOIS**  
**DEPARTMENT OF TRANSPORTATION**

**BUTT JOINT DETAILS**

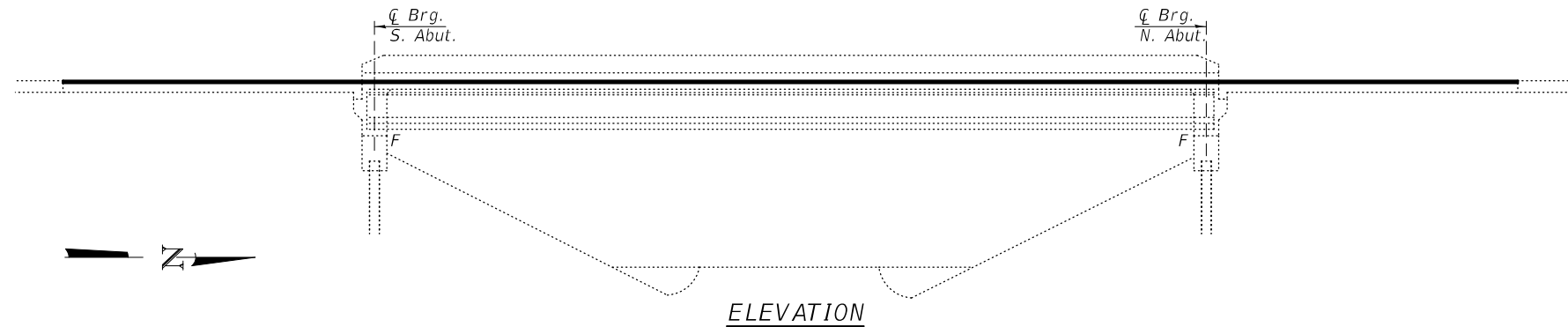
SCALE: SHEET 1 OF 1 SHEETS STA. TO STA.

F.A.J. RTE.	SECTION	COUNTY	TOTAL SHEETS	SHEET NO.
55	(125B-1)BDR	HANCOCK	14	8
CONTRACT NO. 72N47			ILLINOIS FED. AID PROJECT	

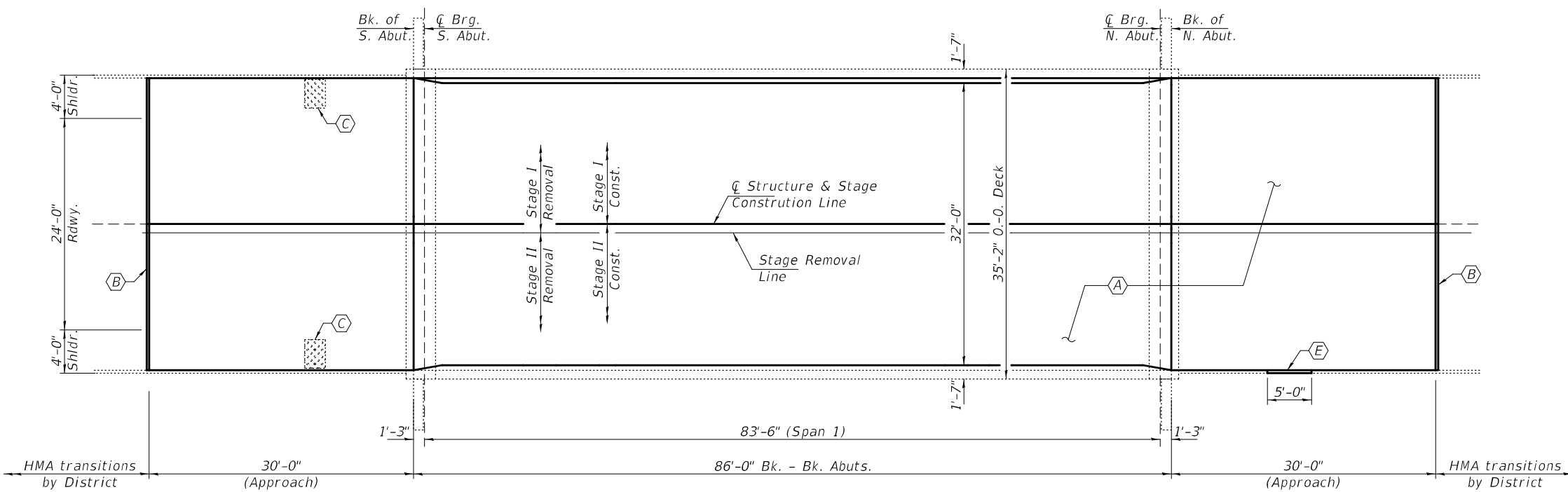


**GENERAL NOTES**

Plan dimensions and details relative to existing plans are subject to nominal construction variations. The Contractor shall field verify existing dimensions and details affecting new construction and make necessary approved adjustments prior to construction or ordering of materials. Such variations shall not be cause for additional compensation for a change in scope of the work, however, the Contractor will be paid for the quantity actually furnished at the unit price bid for the work.  
 For treatment of inlets on approaches see Special Provision "Inlets to be Adjusted with Frame and Grate (Special)". For details of existing approach inlets, see sheet 3 of 3.  
 Survey marker to be removed and eliminated prior to scarification of deck.



**ELEVATION**



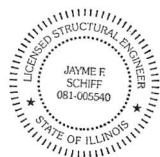
**PLAN**

- (A) - Bridge Deck Scarification  $\frac{3}{4}$ " and  $2\frac{1}{2}$ " Microsilica Concrete Overlay.
- (B) - Polymer Concrete Nosing (See Repair B).
- (C) - Inlets to be reconstructed with New Frame and Grates.
- (D) - Deck Slab Repair
- (E) - Curb Repair

**TOTAL BILL OF MATERIAL**

ITEM	UNIT	QUANTITY
Bridge Deck Microsilica Concrete Overlay, $2\frac{1}{2}$ "	Sq. Yd.	532
Bridge Deck Scarification, $\frac{3}{4}$ "	Sq. Yd.	532
* Protective Coat	Sq. Yd.	532
Bridge Deck Grooving	Sq. Yd.	500
Polymer Concrete	Cu. Ft.	6.0
Inlets to be Adjusted with New Frame and Grate (Special)	Each	2
** Deck Slab Repair (Full Depth, Type II)	Sq. Yd.	5

\* Applied on new concrete only.  
 \*\* Quantity is estimated. Location and size of patches to be determined in the field by the Engineer.



EXPIRES 11-30-2022

DESIGNED - Stephen M. Ryan  
 CHECKED - Adrian T. Hallaway  
 DRAWN - Venkat Ramana Reddy V  
 CHECKED - SMR ATH

PASSED

*Jayme F. Schiff*  
 ENGINEER OF BRIDGES AND STRUCTURES

DATE - SEPTEMBER 19, 2022

REVISED -  
 REVISED -

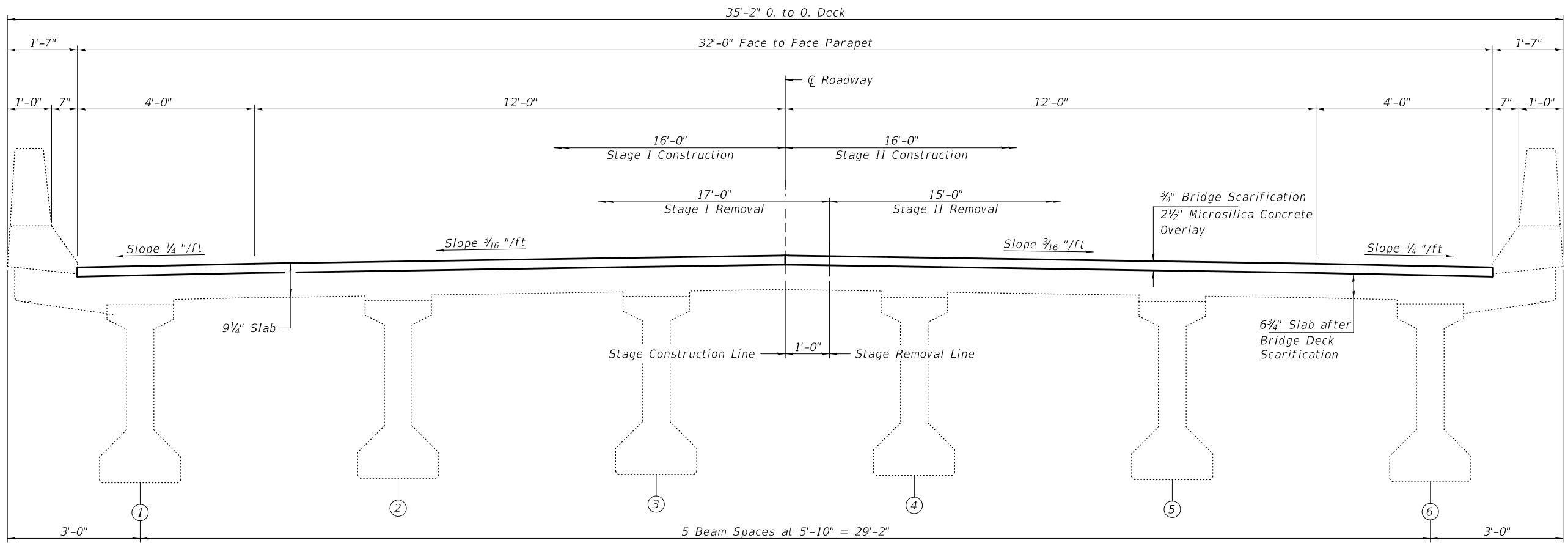
STATE OF ILLINOIS  
 DEPARTMENT OF TRANSPORTATION

GENERAL PLAN AND ELEVATION  
 IL 96 OVER ROCKY RUN CREEK  
 SN 034 - 0068

SHEET NO. 1 OF 3 SHEETS

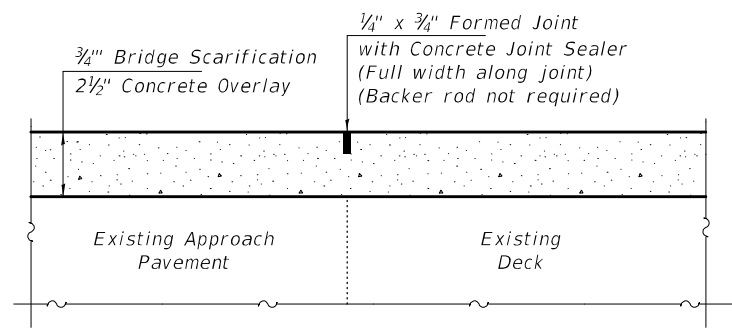
F.A.P. RTE.	SECTION	COUNTY	TOTAL SHEETS	SHEET NO.
0506	(125B-1) BDR	HANCOCK	14	9
CONTRACT NO. 72N47				

ILLINOIS FED. AID PROJECT

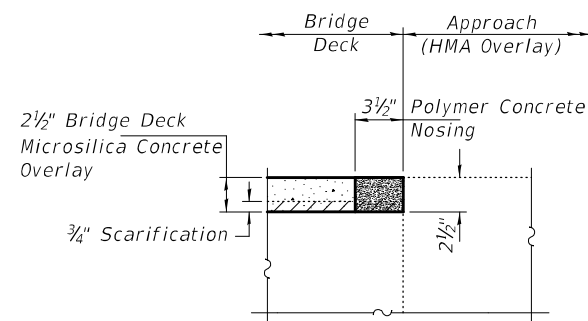


**CROSS SECTION**

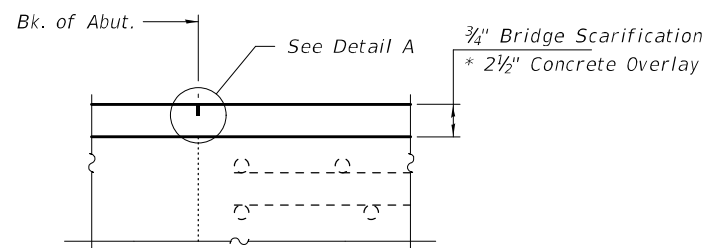
(Looking North)



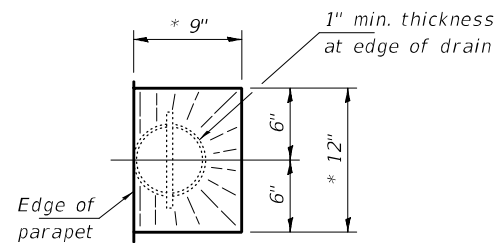
**DETAIL A**



**REPAIR B**

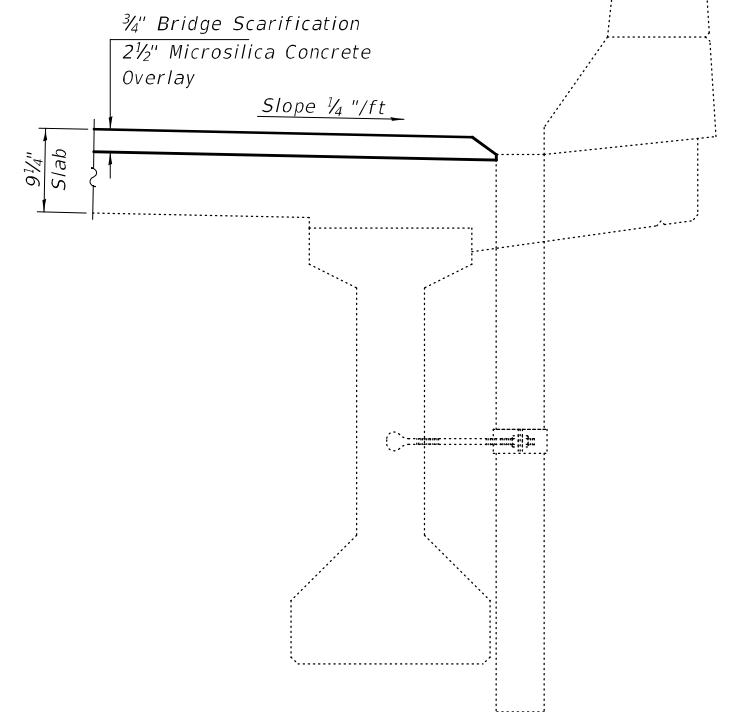


**SECTION AT ABUTMENT**



**DRAIN DETAIL**

\* slope to drain



**SECTION THRU PARAPET**

(at drain)

DESIGNED - SMR
CHECKED - ATH
DRAWN - Venkat Ramana Reddy V
CHECKED - SMR ATH

PASSED

Jaime F. [Signature]  
ENGINEER OF BRIDGES AND STRUCTURES

DATE - SEPTEMBER 19, 2022

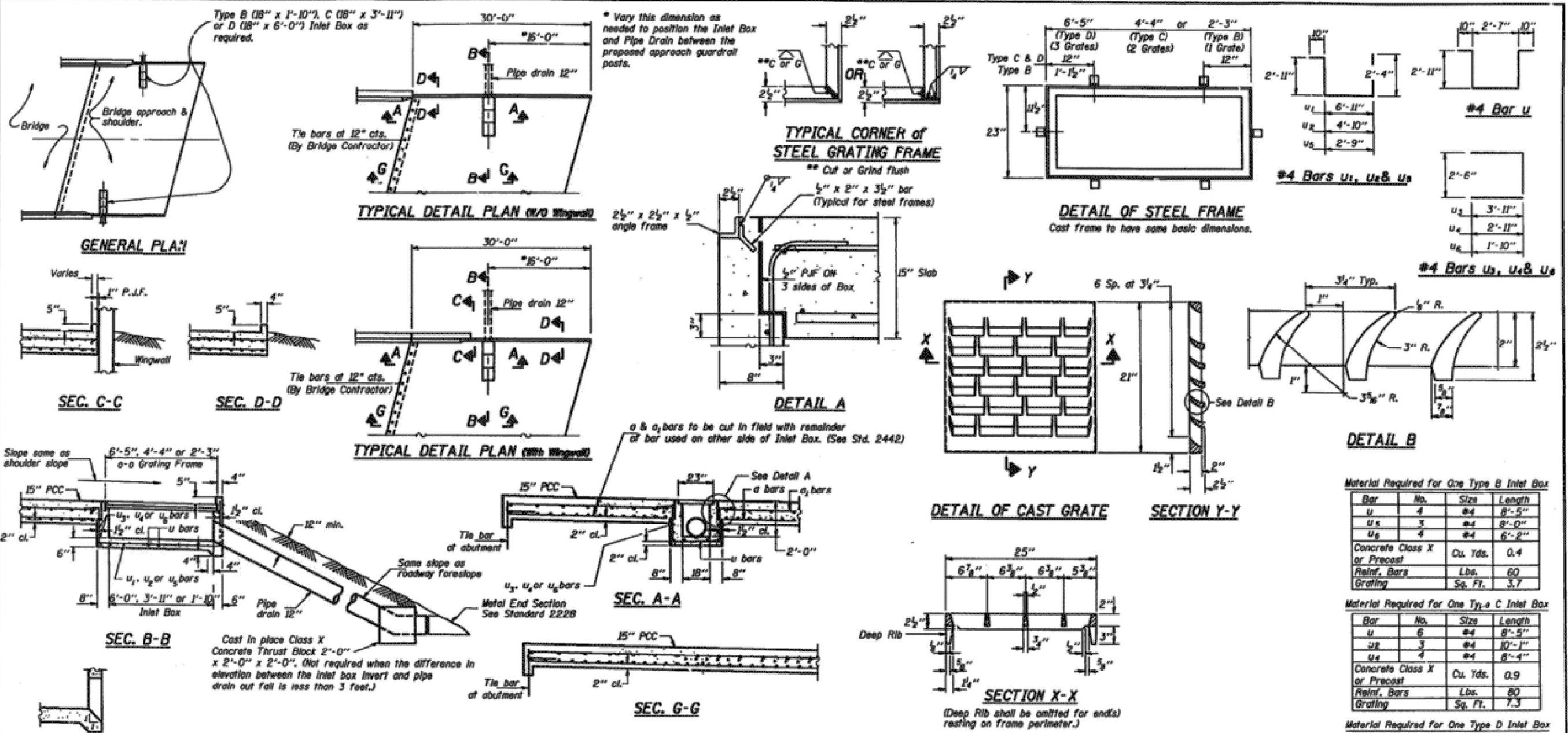
REVISED -
REVISED -

STATE OF ILLINOIS  
DEPARTMENT OF TRANSPORTATION

CROSS SECTIONS & STAGING DETAILS  
SN 034 - 0068

SHEET NO. 2 OF 3 SHEETS

F.A.P. RTE.	SECTION	COUNTY	TOTAL SHEETS	SHEET NO.
0506	(125B-1) BDR	HANCOCK	14	10
ILLINOIS FED. AID PROJECT			CONTRACT NO. 72N47	



**Material Required for One Type B Inlet Box**

Bar	No.	Size	Length
u	4	#4	8'-5"
u <sub>5</sub>	3	#4	8'-0"
u <sub>6</sub>	4	#4	6'-2"
Concrete Class X or Precast		Cu. Yds.	0.4
Reinf. Bars		Lbs.	60
Grating		Sq. Ft.	3.7

**Material Required for One Type C Inlet Box**

Bar	No.	Size	Length
u	6	#4	8'-5"
u <sub>2</sub>	3	#4	10'-1"
u <sub>4</sub>	4	#4	8'-4"
Concrete Class X or Precast		Cu. Yds.	0.9
Reinf. Bars		Lbs.	80
Grating		Sq. Ft.	7.3

**Material Required for One Type D Inlet Box**

Bar	No.	Size	Length
u	8	#4	8'-5"
u <sub>1</sub>	3	#4	12'-2"
u <sub>3</sub>	4	#4	10'-4"
Concrete Class X or Precast		Cu. Yds.	1.2
Reinf. Bars		Lbs.	100
Grating		Sq. Ft.	11.0

**GENERAL NOTES**

Use Type C Inlet Box for 5' and 6' shoulder widths, use Type D Inlet Box for 7' and wider shoulder widths, use Type B Inlet Box for shoulders less than 5' wide.

The material for 12" Pipe Drains shall be either corrugated steel, aluminum alloy or polyethylene (P.E.) pipe with UV protection.

Corrugated steel and aluminum alloy pipe shall have 2' coupling bands. All pipe connections shall be water tight.

Class X concrete or precast concrete shall be used for the Inlet Box.

Precast concrete shall be in accordance with Sections 505.01 thru 505.05 of the Standard Specifications except that the concrete strength shall be 4000 p.s.i. after 28 days.

All exposed edges of the inlet, except the upper perimeter, shall be beveled 3/4".

Shop drawings will not be required for precast Inlet Boxes.

A 3" deep CA12 bedding conforming to Article 704.01, D Quantity or better shall be provided under full length and width of precast units, and all voids around the pipe drain entrance, both inside and outside, shall be sealed with mortar.

The grating shall seat firmly in the frame.

Steel frames shall conform to Article 710.04 of the Standard Specifications and shall be galvanized to AASHTO M111 after fabrication.

Cast grating and frames shall conform to Article 710.17 of the Standard Specifications. Cast grating and frames shall not be galvanized.

Pipe drains shall be installed, measured and paid for in accordance with Section 607 of the Standard Specifications, except sand bedding will not be required.

Metal End Sections shall be installed, measured and paid for in accordance with Section 511 of the Standard Specifications.

The contract unit price each for TYPE (B, C or D) INLET BOX STANDARD 2443, in place, shall include the frame and grating, class X or precast concrete, reinforcement bars, excavation, bedding when required, and compacted backfill.

The contract unit price each for CONCRETE THRUST BLOCKS, in place shall include excavation and compacted backfilling.

**DESIGN NOTES**

All installations which also require the placement of approach guardrail should be checked to see whether special Approach Shoulder Pavement or Guardrail details will be required.

Design Notes will not appear in the Contract Plans.

**FOR INFORMATION ONLY**

**BRIDGE APPROACH PAVEMENT (DRAIN DETAIL)**

**STANDARD 2443**

Illinois Department of Transportation

APPROVED JAN. 2, 1992

*Richard E. Anderson*  
Engineer of Bridges and Structures

APPROVED JAN. 2, 1992

*Raymond*  
Engineer of Design

DESIGNED - SMR  
CHECKED - ATH  
DRAWN - Venkat Ramana Reddy V  
CHECKED - SMR ATH

PASSED

*Jaime F. Joffe*  
ENGINEER OF BRIDGES AND STRUCTURES

DATE - SEPTEMBER 19, 2022

REVISED -  
REVISED -

STATE OF ILLINOIS  
DEPARTMENT OF TRANSPORTATION

EXISTING PLAN SHEET - FOR INFORMATION ONLY  
SN 034-0068

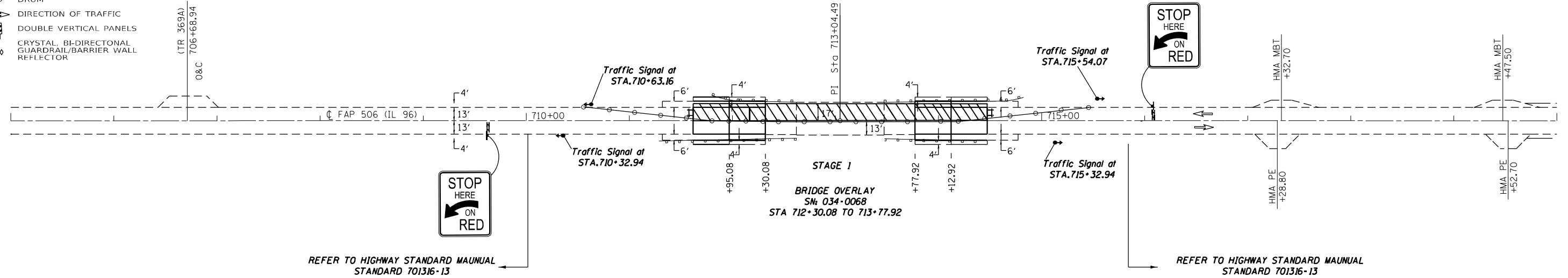
SHEET NO. 3 OF 3 SHEETS

F.A.P. RTE.	SECTION	COUNTY	TOTAL SHEETS	SHEET NO.
0506	(125B-1) BDR	HANCOCK	14	11
				CONTRACT NO. 72N47
ILLINOIS FED. AID PROJECT				

607-1H

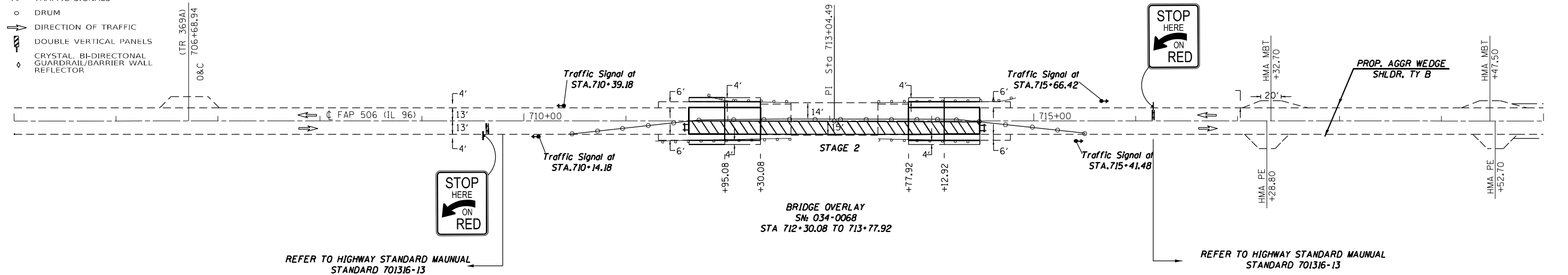
**LEGEND**

- WORK AREA
- TYPE 3 BARRICADE WITH FLASHING LIGHTS
- SIGN
- DRUM WITH STEADY BI-DIRECTIONAL LIGHTS
- TEMPORARY RUMBLE STRIPS
- DETECTOR LOOPS
- TRAFFIC SIGNALS
- DRUM
- DIRECTION OF TRAFFIC
- DOUBLE VERTICAL PANELS
- CRYSTAL, BI-DIRECTIONAL GUARDRAIL/BARRIER WALL REFLECTOR



**LEGEND**

- WORK AREA
- TYPE 3 BARRICADE WITH FLASHING LIGHTS
- SIGN
- DRUM WITH STEADY BI-DIRECTIONAL LIGHTS
- TEMPORARY RUMBLE STRIPS
- DETECTOR LOOPS
- TRAFFIC SIGNALS
- DRUM
- DIRECTION OF TRAFFIC
- DOUBLE VERTICAL PANELS
- CRYSTAL, BI-DIRECTIONAL GUARDRAIL/BARRIER WALL REFLECTOR



MODEL: Default  
 FILE NAME: \\s:\illinois-pw-bentley.com\PI\DOT\Documents\DOT Offices\Bentley - Projects\034-0068\034-0068-13-11-2022\034-0068-13-11-2022.dwg

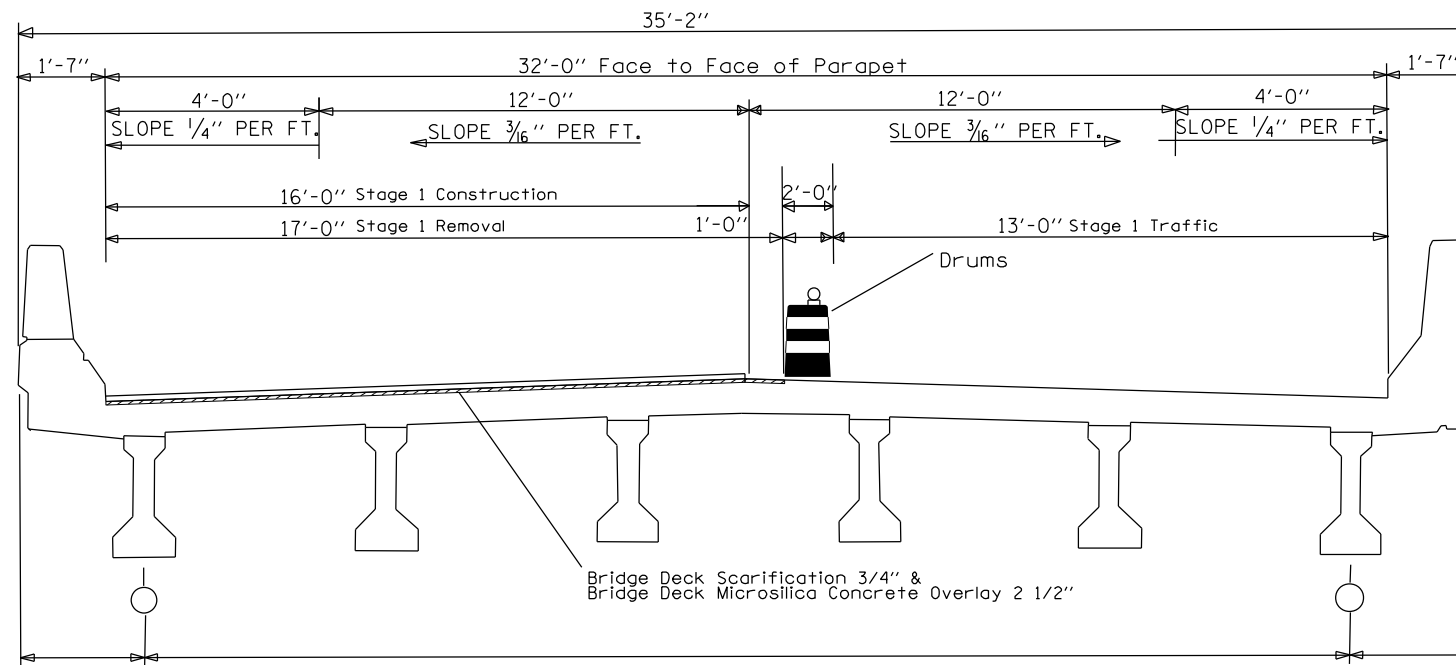
USER NAME =	Nicholas,Rowden	DESIGNED -	REVISD -
DRAWN -		REVISD -	
CHECKED -		REVISD -	
DATE -	8/22/2022	REVISD -	

**STATE OF ILLINOIS**  
**DEPARTMENT OF TRANSPORTATION**

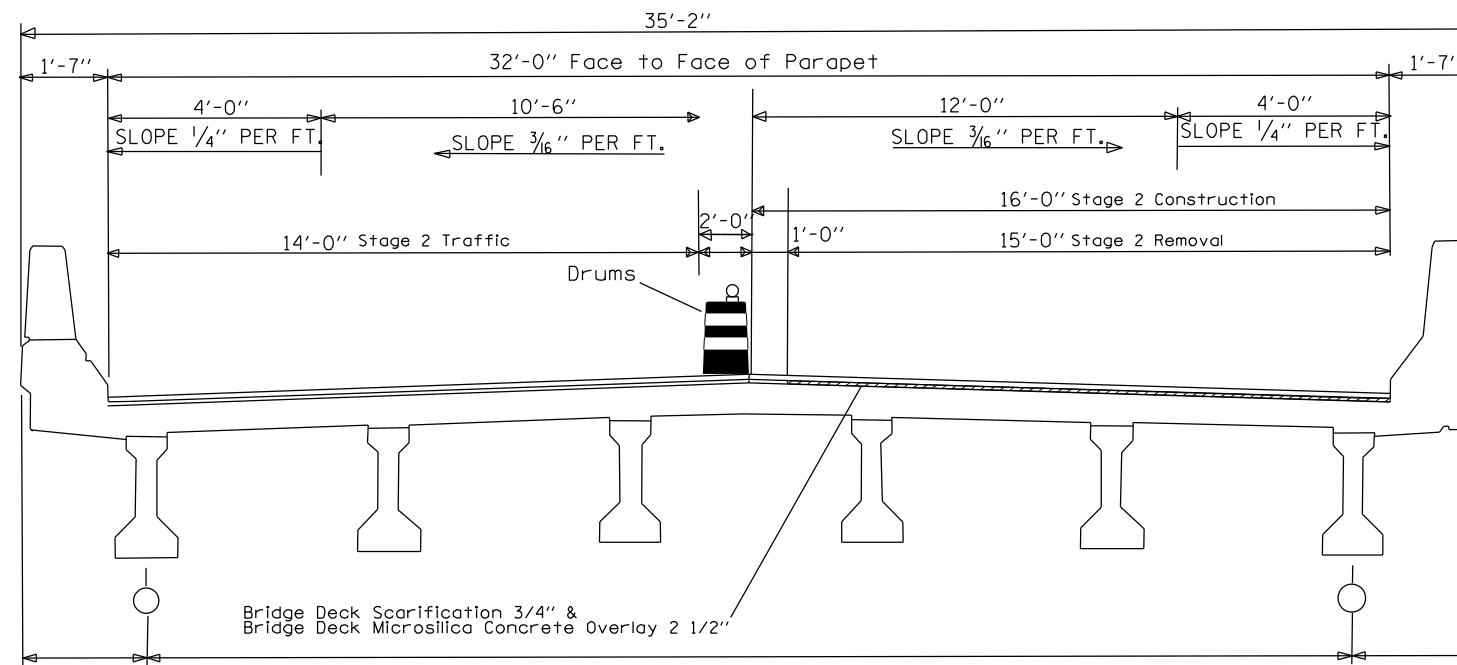
**STAGING PLAN SHEET STAGE 1 & 2**  
**ROCKY RUN CREEK SN: 034-0068**

SCALE: SHEET 2 OF 2 SHEETS STA. TO STA.

F.A.P. RTE.	SECTION	COUNTY	TOTAL SHEETS	SHEET NO.
506	(125B-1)BDR	HANCOCK	14	12
CONTRACT NO. 72N47			ILLINOIS FED. AID PROJECT	



STA. 710+63.16 TO STA. 715+54.07



STA. 710+38.18 TO STA. 715+41.48

MODEL: Default  
FILE NAME: p:\illinois\cherry.com\p\DOT\Documents\DOT Offices\District 6\Projects\627M17\CAD\Draw 5510\CAD\Sheets\627M17-CH-SC010.dgn

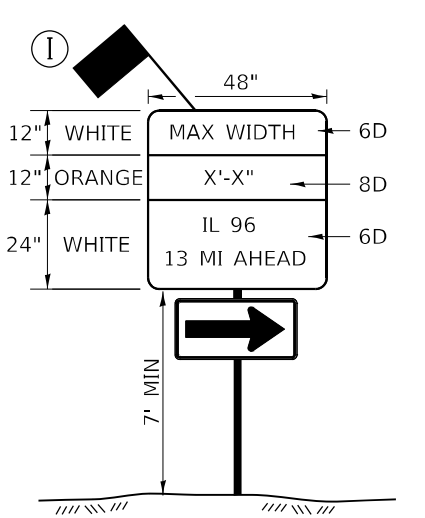
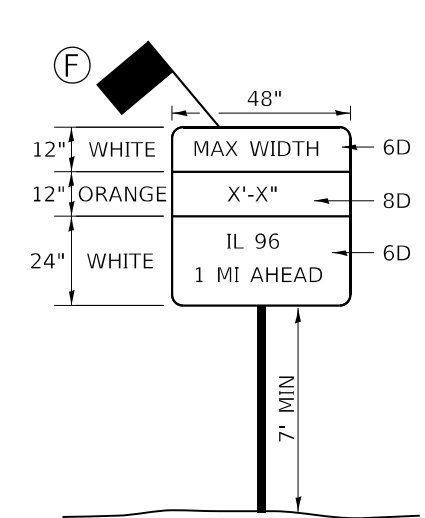
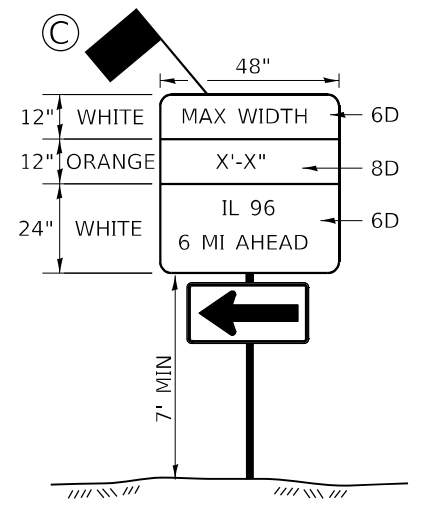
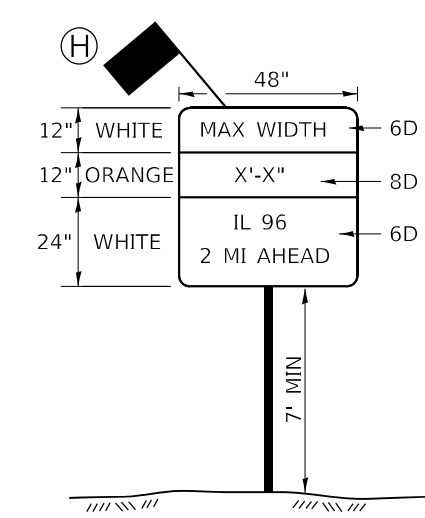
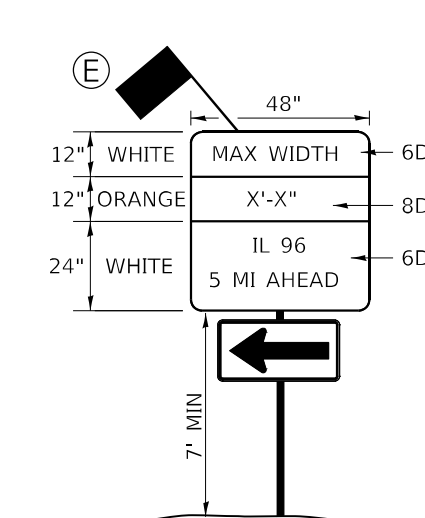
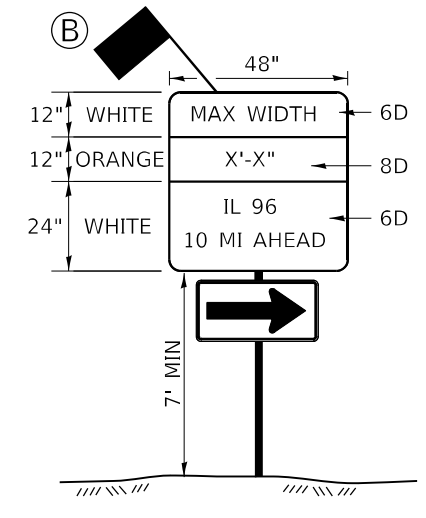
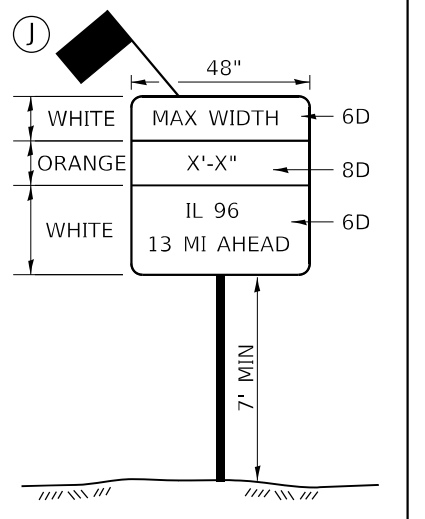
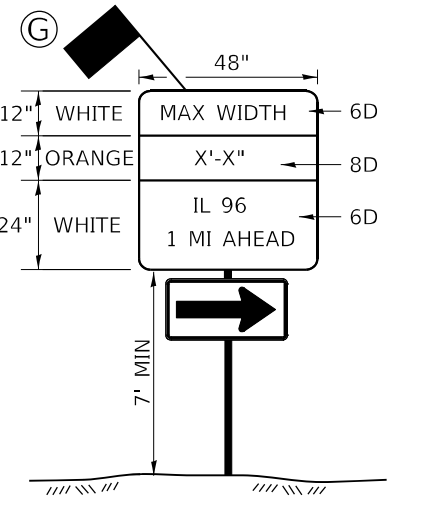
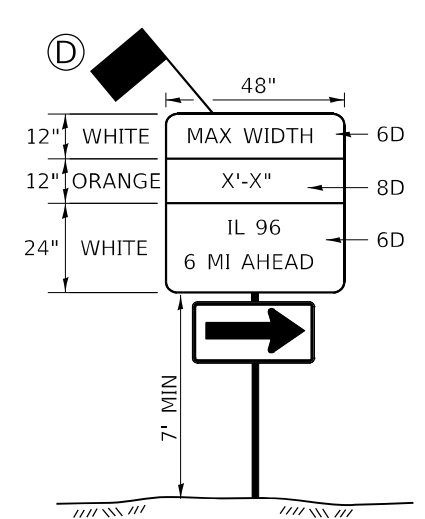
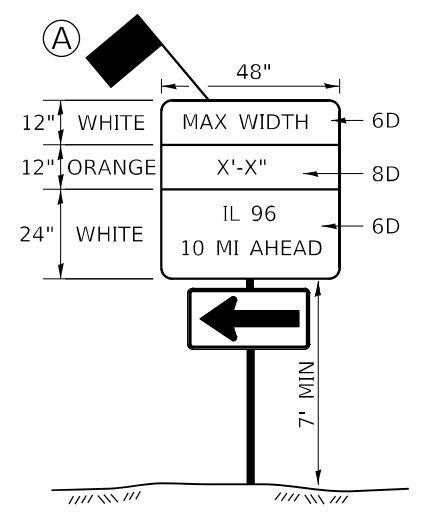
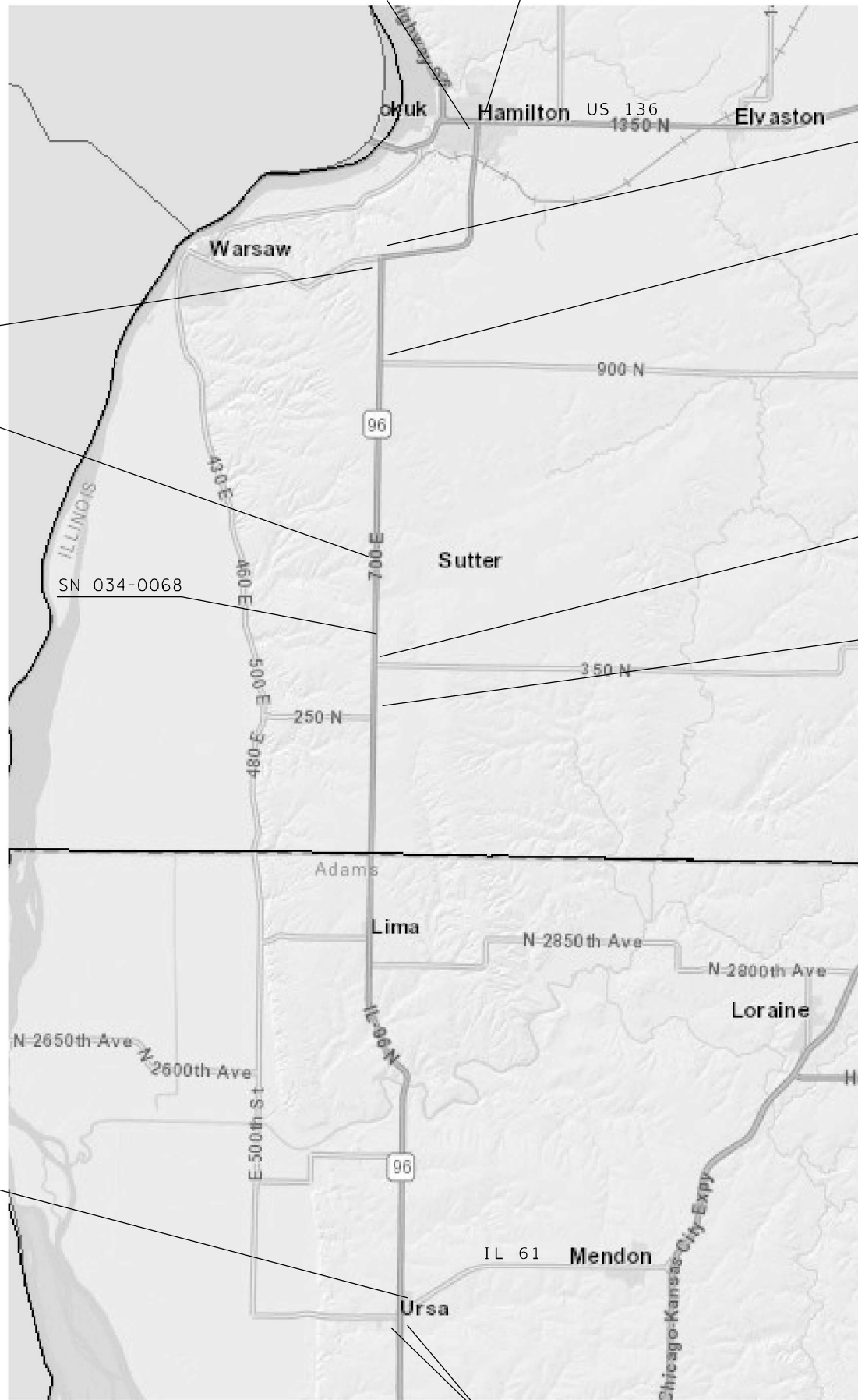
USER NAME = Nicholas.Rowden	DESIGNED -	REVISED -
	DRAWN -	REVISED -
PLOT SCALE = 99.9976' / in.	CHECKED -	REVISED -
PLOT DATE = 8/17/2022	DATE -	REVISED -

**STATE OF ILLINOIS  
DEPARTMENT OF TRANSPORTATION**

**STAGING TYPICALS  
ROCKY RUN CREEK SN: 034-0068**

SCALE: SHEET 1 OF 2 SHEETS STA. TO STA.

F.A.P. RTE.	SECTION	COUNTY	TOTAL SHEETS	SHEET NO.
506	(125B-1)BDR	HANCOCK	14	13
CONTRACT NO. 72N47			ILLINOIS FED. AID PROJECT	



MODEL: Default  
 FILE: MaxWidthSigns.dwg  
 PROJECT: I:\Projects\72N47\72N47.dwg  
 USER: Nicholas Rowden  
 DATE: 8/17/2022

USER NAME = Nicholas Rowden	DESIGNED -	REVISED -
DRAWN -	REVISOR -	REVISION -
PLOT SCALE = 100.0761' / in.	CHECKED -	REVISOR -
PLOT DATE = 8/17/2022	DATE -	REVISION -

**STATE OF ILLINOIS  
DEPARTMENT OF TRANSPORTATION**

**MAX WIDTH SIGNS - IL 96**

SCALE:	SHEET	OF	SHEETS	STA.	TO	STA.
--------	-------	----	--------	------	----	------

F.A.P. RTE.	SECTION	COUNTY	TOTAL SHEETS	SHEET NO.
506	(125B-1)BDR	HANCOCK	14	14
CONTRACT NO. 72N47			ILLINOIS FED. AID PROJECT	