

F.A.P. RTE.	SECTION	COUNTY	TOTAL SHEETS	SHEET NO.
317	(116-A)CLV	PEORIA	16	1
		ILLINOIS	CONTRACT NO. 68E32	

D-94-045-18



THIS PROJECT CONSISTS OF THE CULVERT REHABILITATION OF SN 072-2008, A DOUBLE 10' x 10' BOX CULVERT. WORK INCLUDES REMOVAL OF ACCUMULATED DEBRIS, ADDING RIPRAP TO THE UPSTREAM AND DOWNSTREAM ENDS, POURING A REINFORCED FLOOR, FILLING AN UNDERMINED VOID AND ANY OTHER RELATED COLLATERAL WORK NECESSARY TO COMPLETE THE PROJECT.

STATE OF ILLINOIS
DEPARTMENT OF TRANSPORTATION

SUBMITTED September 1, 2022
[Signature]

REGIONAL ENGINEER

October 14, 2022
[Signature]

ENGINEER OF DESIGN AND ENVIRONMENT

October 14, 2022
[Signature]

DIRECTOR OF HIGHWAYS PROJECT IMPLEMENTATION

**PRINTED BY THE AUTHORITY
OF THE STATE OF ILLINOIS**

INDEX OF SHEETS 11-18-2022 LETTING ITEM 072

1. COVER SHEET
2. GENERAL + JOB SPECIFIC NOTES
- 3-4. SUMMARY OF QUANTITIES
5. TYPICAL SECTIONS
6. SCHEDULE OF QUANTITIES
7. LOCATION MAP
8. GENERAL PLAN
9. EXISTING UTILITIES
- 10-14. PROPOSED PLAN SHEETS
- 15-16. OLD PLANS

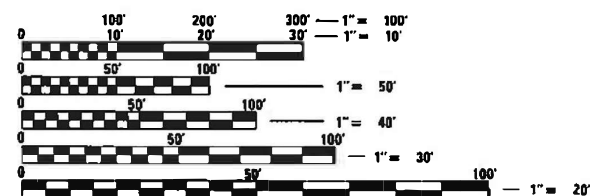
HIGHWAY STANDARDS

- 280001-07
- 701602-10
- 701701-10
- 701801-06
- 701901-08

US 150 DESIGN DESIGNATION

OTHER PRINCIPLE ARTERIAL

AADT = 34,100
MU = 0.22%
SU = 2.2%



FULL SIZE PLANS HAVE BEEN PREPARED USING STANDARD ENGINEERING SCALES. REDUCED SIZED PLANS WILL NOT CONFORM TO STANDARD SCALES. IN MAKING MEASUREMENTS ON REDUCED PLANS, THE ABOVE SCALES MAY BE USED.

J.U.L.I.E.
JOINT UTILITY LOCATION INFORMATION FOR EXCAVATORS
1-800-892-0123
OR 811

PROJECT ENGINEER: RICH DOTSON, P.E. 309.671.3455
PROJECT MANAGER: ALEX JETTE 309.671.3471
PROJECT MANAGER: RON NOLTE 309.671.3470
CONTRACT NO. 68E32 CATALOG NO. 035619-00D

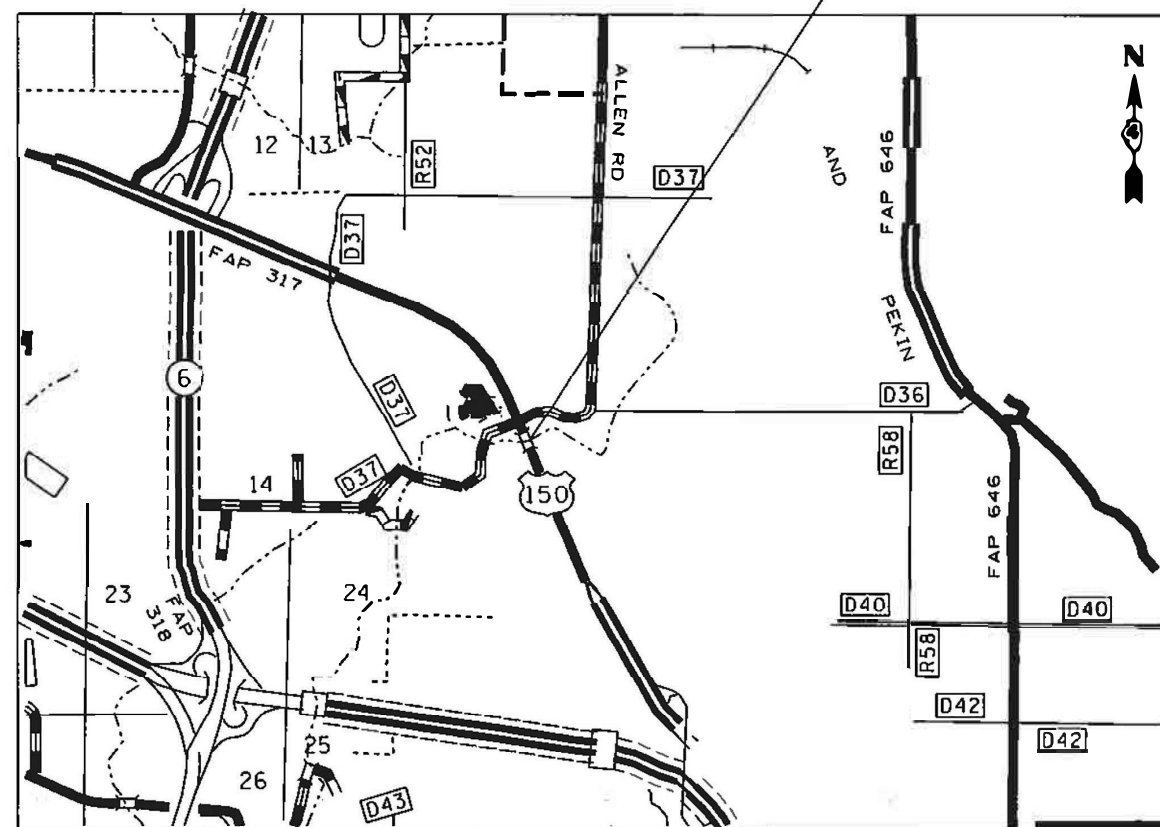
STATE OF ILLINOIS
DEPARTMENT OF TRANSPORTATION

PROPOSED HIGHWAY PLANS

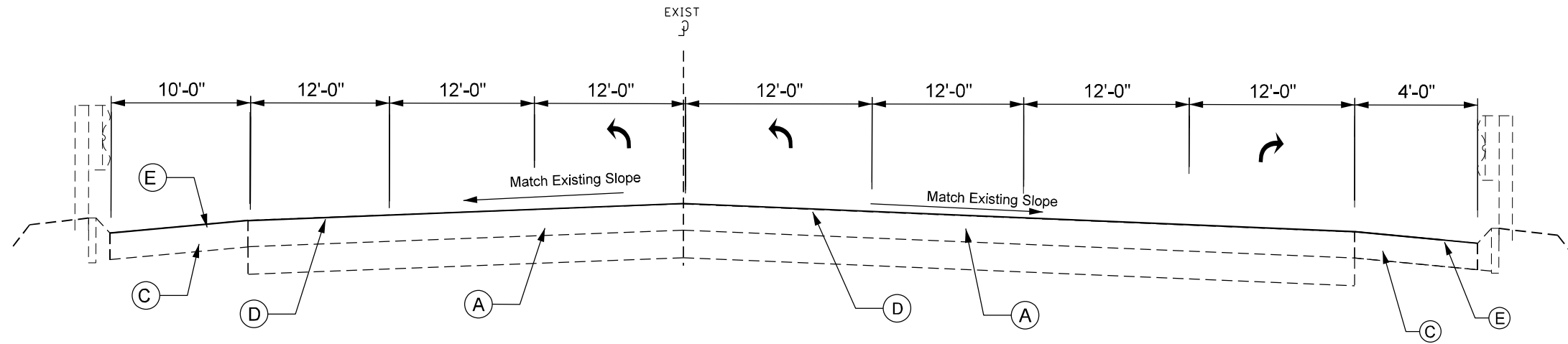
FAP ROUTE 317 (US 150)
SECTION (116-A)CLV
PROJECT
TYPE of IMPROVEMENT - CULVERT REPAIR
PEORIA COUNTY

C-94-067-18

PROJECT LOCATION
STA. 117+65

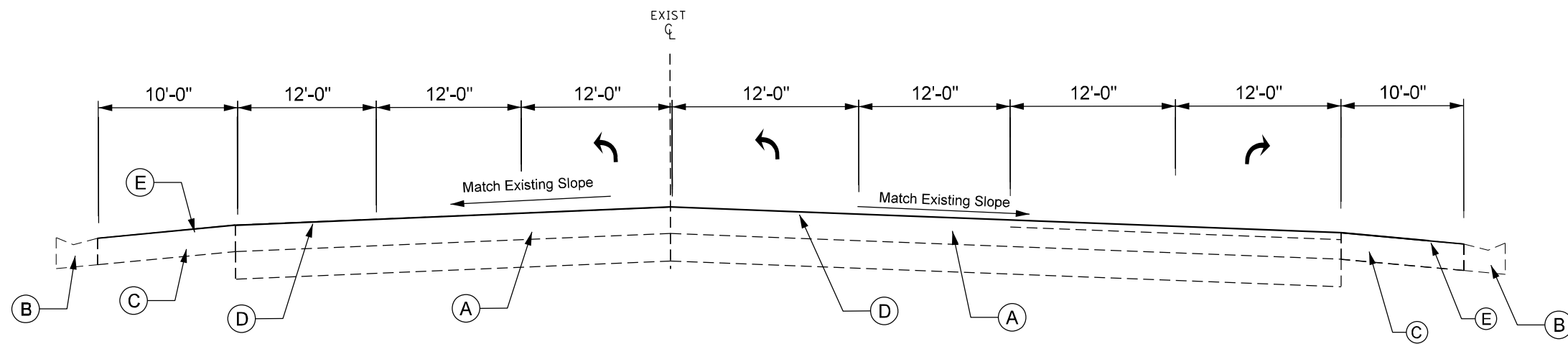


GROSS LENGTH = 395 FT. = 0.075 MILE
NET LENGTH = 325 FT. = 0.062 MILE



US 150
FROM STA. 115+15.00 TO STA. 122+00.00

- (A) EXISTING PAVEMENT
- (B) EXISTING CURB & GUTTER
- (C) EXISTING SHOULDER
- (D) EXISTING HMA SURFACE COURSE, MIX "E", N70 2"
- (E) EXISTING HMA SURFACE COURSE MIX C N50 2"



US 150
FROM STA. 108+58.00 TO STA. 115+15.00

MODEL: Default
FILE: \\na11c:\pwworkspace\ben.fay.com\PIV\DOT\Documents\DOT Office\Director_68E32\CADD\Drawings\Design\Drawings\Design.dgn

USER NAME = alex.jette	DESIGNED -	REVISED -
PLOT SCALE = 100,0000' / in.	DRAWN -	REVISED -
PLOT DATE = 9/1/2022	CHECKED -	REVISED -
	DATE -	REVISED -

STATE OF ILLINOIS
DEPARTMENT OF TRANSPORTATION

TYPICAL SECTIONS	
SCALE:	SHEET OF SHEETS STA. TO STA.

F.A.P. RTE.	SECTION	COUNTY	TOTAL SHEETS	SHEET NO.
317	(116-A)CLV	PEORIA	16	5
CONTRACT NO. 68E32				
ILLINOIS FED. AID PROJECT				

DRAINAGE QUANTITIES

	X2810108	X2810212	28100227	28200200	X0324028	44200050	50300225	Z0010605	X0426200	59300100
LOCATION	STONE RIPRAP, CLASS A4 (SPECIAL)	STONE RIPRAP, CLASS A6 (SPECIAL)	STONE RIPRAP, CLASS B4	FILTER FABRIC	GROUT FOR USE WITH RIPRAP	WELDED WIRE REINFORCEMENT	CONCRETE STRUCTURES	CLEANING DRAINAGE SYSTEM	DEWATERING	CONTROLLED LOW-STRENGTH MATERIAL
	TON	TON	TON	SQ YD	CU YD	SQ YD	CU YD	L SUM	L SUM	CU YD
UPSTREAM	134	220	44	66	0	325	32	0.5	0.5	0.0
DOWNSTREAM	0	610	38	57	27	325	32	0.5	0.5	44.4
TOTAL	134	831	82	123	27	650	64	1	1	45

JOBSITE QUANTITIES

	20100500	25100630	28000400	67100100	70106800	X7010216	Z0015500
LOCATION	TREE REMOVAL, ACRE	EROSION CONTROL BLANKET	PERIMETER EROSION BARRIER*	MOBILIZATION	CHANGEABLE MESSAGE SIGN	TRAFFIC CONTROL AND PROTECTION, (SPECIAL)	DEBRIS REMOVAL
	ACRE	SQ YD	FOOT	UNIT	CAL MO	L SUM	L SUM
JOBSITE	0.25	1210	100	1	6	1	1
TOTAL	0.25	1210	100	1	6	1	1

* FOR USE AT CONTRACTOR ACCESS LOCATIONS AND OTHER AREAS AS DETERMINED BY THE ENGINEER.

MODEL: Default
 FILE: \\na11c1-pw-bentley.com\PW\DOT\Documents\DOT Office\Dir\et.4\Project\DA_68E32\CAD\Draw Design\DAxxxxx.dwg, dgn

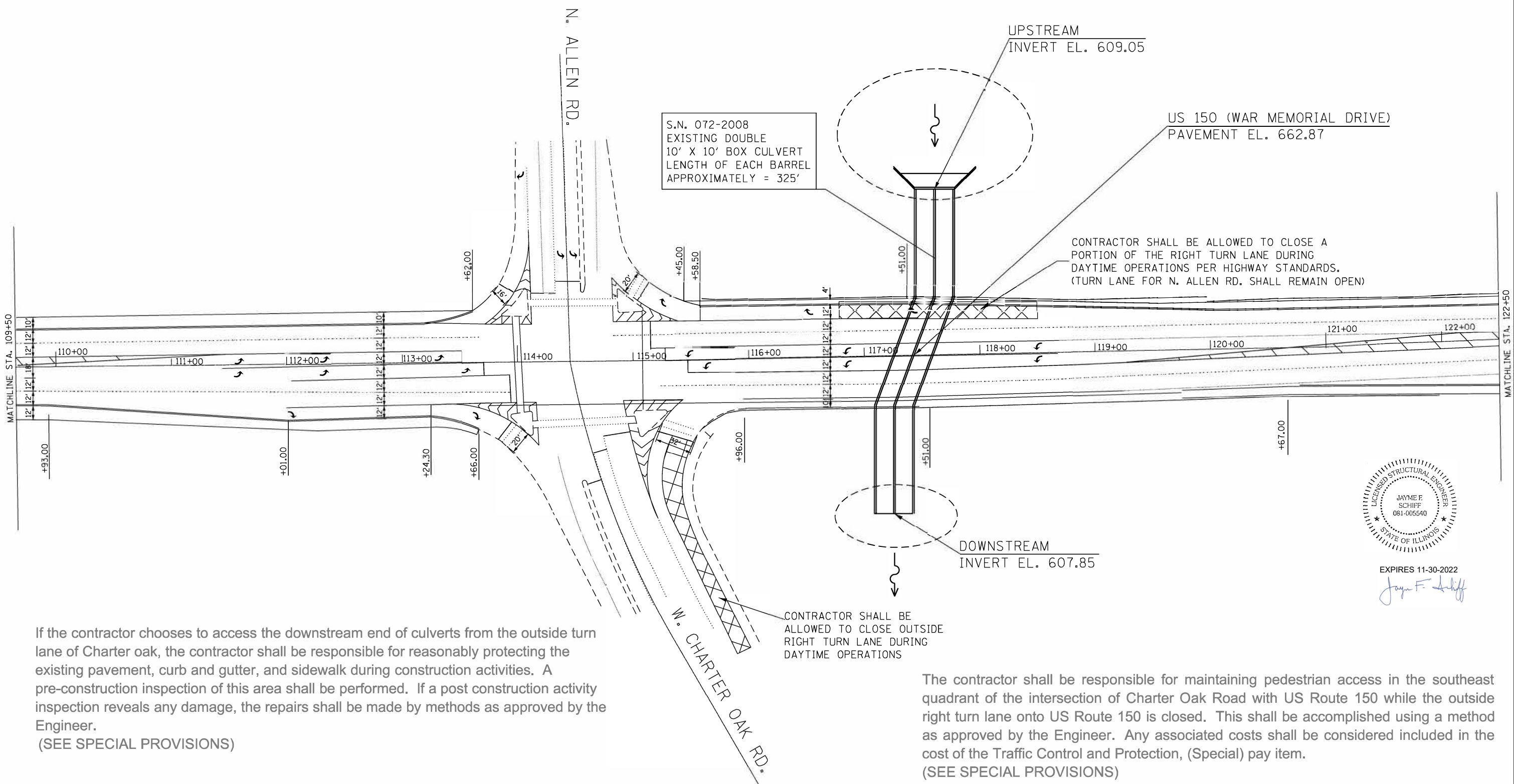
USER NAME = alex.jette	DESIGNED -	REVISED -
	DRAWN -	REVISED -
PLOT SCALE = 100,0000 ' / in.	CHECKED -	REVISED -
PLOT DATE = 9/1/2022	DATE -	REVISED -

**STATE OF ILLINOIS
DEPARTMENT OF TRANSPORTATION**

SCHEDULE OF QUANTITIES

SCALE: SHEET OF SHEETS STA. TO STA.

F.A.P. RTE.	SECTION	COUNTY	TOTAL SHEETS	SHEET NO.
317	(116-A)CLV	PEORIA	16	6
CONTRACT NO. 68E32				
ILLINOIS FED. AID PROJECT				



S.N. 072-2008
EXISTING DOUBLE
10' X 10' BOX CULVERT
LENGTH OF EACH BARREL
APPROXIMATELY = 325'

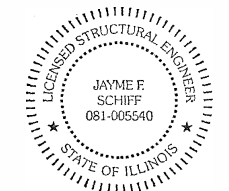
UPSTREAM
INVERT EL. 609.05

US 150 (WAR MEMORIAL DRIVE)
PAVEMENT EL. 662.87

CONTRACTOR SHALL BE ALLOWED TO CLOSE A
PORTION OF THE RIGHT TURN LANE DURING
DAYTIME OPERATIONS PER HIGHWAY STANDARDS.
(TURN LANE FOR N. ALLEN RD. SHALL REMAIN OPEN)

DOWNSTREAM
INVERT EL. 607.85

CONTRACTOR SHALL BE
ALLOWED TO CLOSE OUTSIDE
RIGHT TURN LANE DURING
DAYTIME OPERATIONS



EXPIRES 11-30-2022

Jayme F. Schiff

If the contractor chooses to access the downstream end of culverts from the outside turn lane of Charter oak, the contractor shall be responsible for reasonably protecting the existing pavement, curb and gutter, and sidewalk during construction activities. A pre-construction inspection of this area shall be performed. If a post construction activity inspection reveals any damage, the repairs shall be made by methods as approved by the Engineer.
(SEE SPECIAL PROVISIONS)

The contractor shall be responsible for maintaining pedestrian access in the southeast quadrant of the intersection of Charter Oak Road with US Route 150 while the outside right turn lane onto US Route 150 is closed. This shall be accomplished using a method as approved by the Engineer. Any associated costs shall be considered included in the cost of the Traffic Control and Protection, (Special) pay item.
(SEE SPECIAL PROVISIONS)

SEE PROPOSED PLAN SHEETS FOR
CULVERT REPAIRS AND PERMANENT
EROSION CONTROL DETAILS

----- PROPOSED TREE REMOVAL AREAS, SEE PLAN SHEETS

MODEL: Default
FILE: \\nas101\p1\us150\w_bentley.com\p1\DOT\Documents\DOT Offices\District 4\Projects\DA_68E32\CADD\Drawings\Design\DAxxxxx.dwg

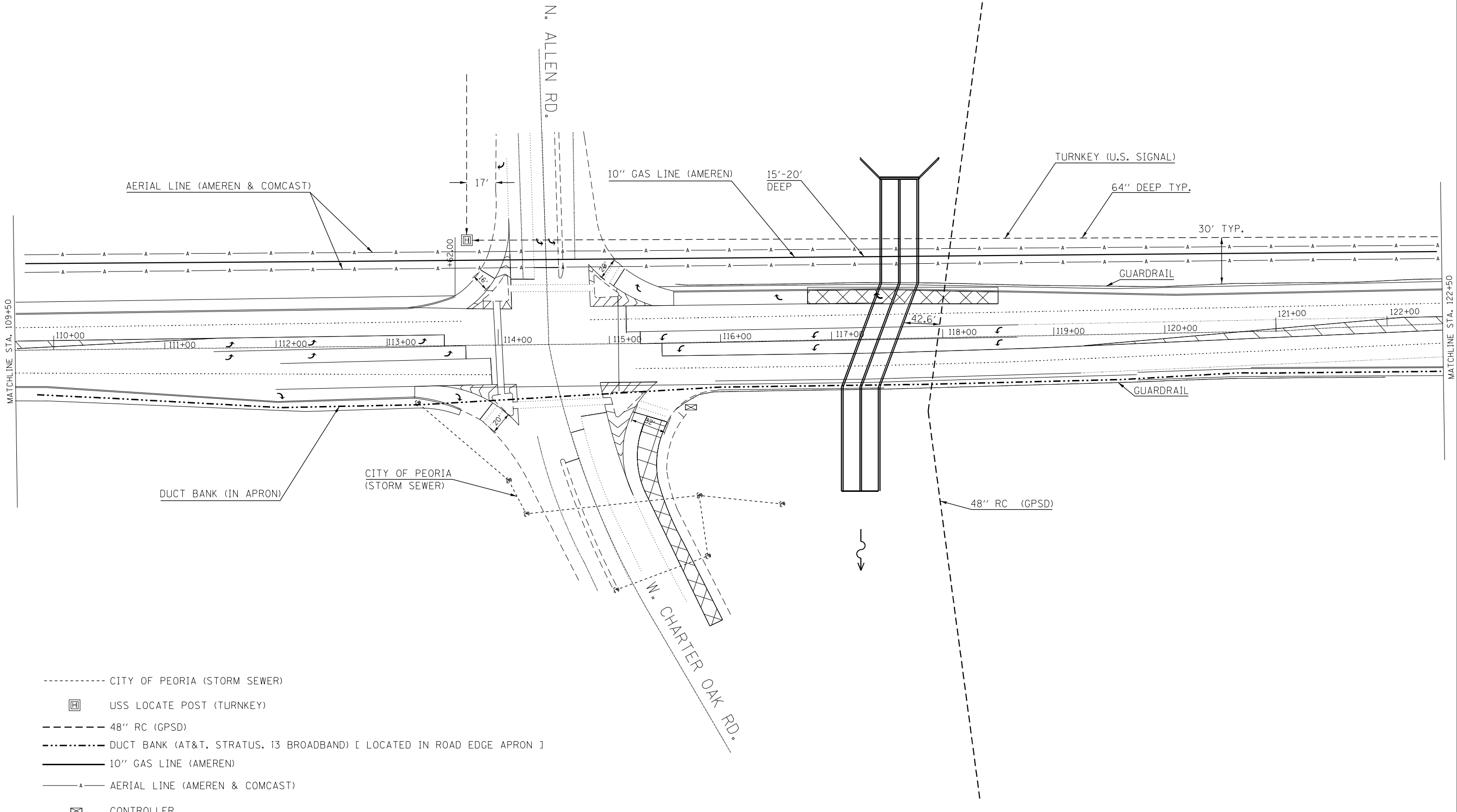
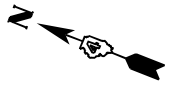
USER NAME = alex.jette	DESIGNED -	REVISED -
PLOT SCALE = 100.0000" / in.	DRAWN -	REVISED -
PLOT DATE = 9/1/2022	CHECKED -	REVISED +
	DATE -	REVISED -

**STATE OF ILLINOIS
DEPARTMENT OF TRANSPORTATION**

GENERAL PLAN

SCALE: SHEET OF SHEETS STA. TO STA.

F.A.P. RTE.	SECTION	COUNTY	TOT AL SHEETS	SHEET NO.
317	(116-A)CLV	PEORIA	16	8
ILLINOIS FED. AID PROJECT			CONTRACT NO. 68E32	



- CITY OF PEORIA (STORM SEWER)
- ☐ USS LOCATE POST (TURNKEY)
- 48" RC (GPSD)
- DUCT BANK (AT&T, STRATUS, 13 BROADBAND) [LOCATED IN ROAD EDGE APRON]
- 10" GAS LINE (AMEREN)
- AERIAL LINE (AMEREN & COMCAST)
- ☒ CONTROLLER

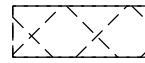
MODEL: Default
 FILE: \\nafe-pw-bentley.com\P\W\DOT\Documents\DOT Office\Director_4\Project\104_68E32\CADD\Bldg\Design\104xxxxxx\Design.dgn

USER NAME = alex.jette	DESIGNED -	REVISED -
PLOT SCALE = 100,0000' / in.	DRAWN -	REVISED -
PLOT DATE = 9/1/2022	CHECKED -	REVISED -
	DATE -	REVISED -

**STATE OF ILLINOIS
DEPARTMENT OF TRANSPORTATION**

EXISTING UTILITIES	
SCALE:	SHEET OF SHEETS STA. TO STA.

F.A.P. RTE. 317	SECTION (116-A)CLV	COUNTY PEORIA	TOTAL SHEETS 16	SHEET NO. 9
CONTRACT NO. 68E32				
ILLINOIS FED. AID PROJECT				

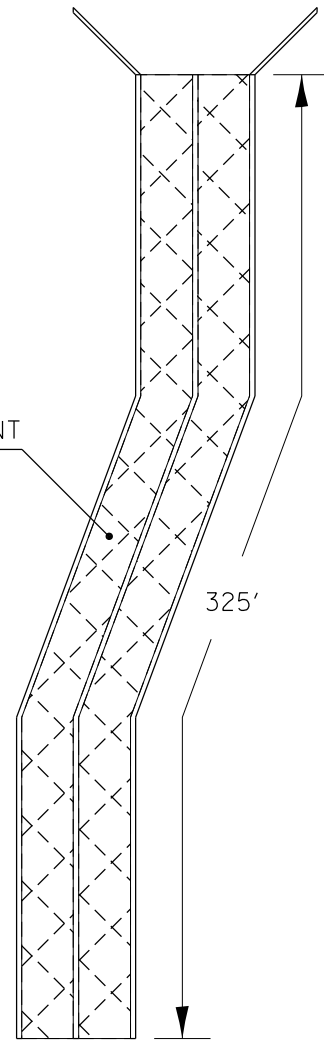


CLEANING DRAINAGE SYSTEM
(SEE SPECIAL PROVISIONS)

CONCRETE STRUCTURES
-Consists of pouring 4" of Class
SI Concrete at shown locations

WELDED WIRE REINFORCEMENT

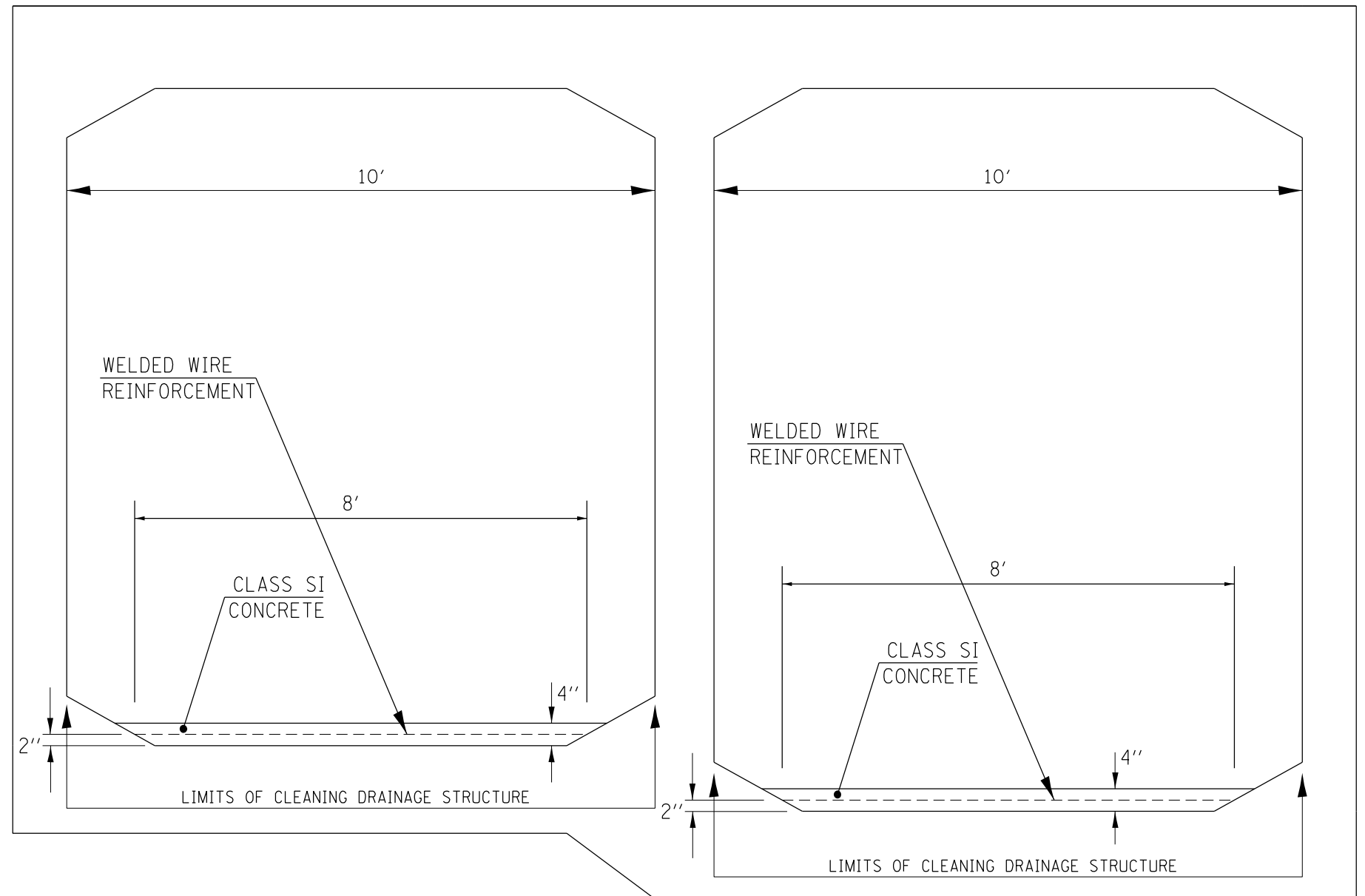
-WELDED WIRE REINFORCEMENT
SIZE REQUIREMENT - 6 X 6 - W 4.0 X 4.0
WT. 58 LBS / 100 SQ FT
WELDED WIRE REINFORCEMENT SHALL BE LAPPED
A MIN. OF ONE SQUARE AT JOINTS.



CULVERT REPAIR

	50300225	44200050	X0426200	Z0010605
Location	CONCRETE STRUCTURE	WELDED WIRE REINFORCEMENT	DEWATERING	CLEANING DRAINAGE SYSTEM
	CU YD	SQ YD	L SUM	L SUM
SN 072-2008	64	650	1	1
TOTAL	64	650	1	1

NOTE: TOTAL QUANTITIES SHOWN ARE TOTALS FOR BOTH 10'X10' BARRELS



MODEL: Default
 FILE NAME: \\sulfur-caw-bentley.com\P\INDOT\Documents\INDOT Office\Director_68E32\CADD\Info\Design\68E32\Design\68E32.dgn
 MODEL: Default
 FILE NAME: \\sulfur-caw-bentley.com\P\INDOT\Documents\INDOT Office\Director_68E32\CADD\Info\Design\68E32\Design\68E32.dgn

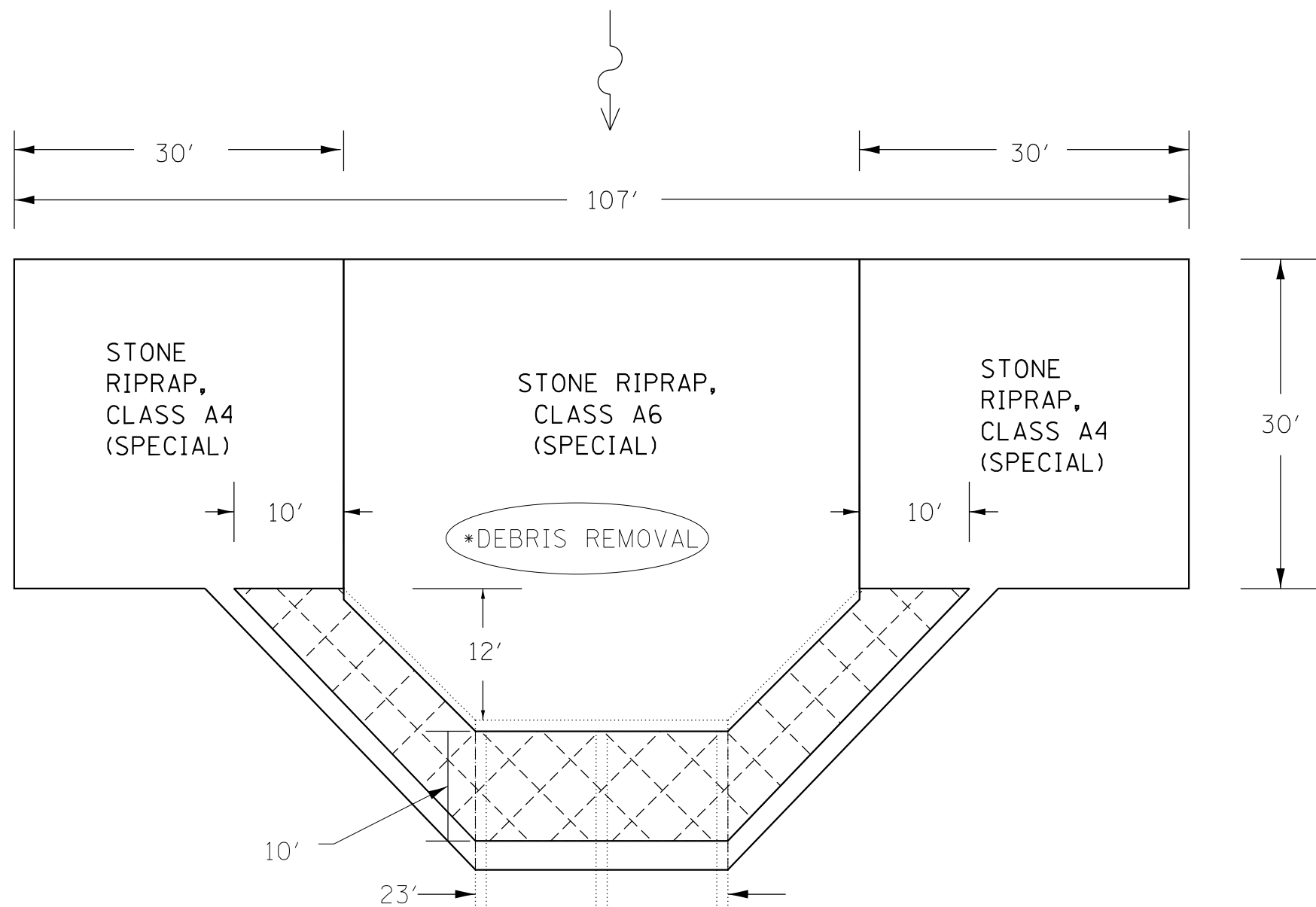
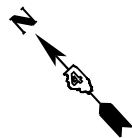
USER NAME = alex.jette	DESIGNED -	REVISED -
PLOT SCALE = 100,0000' / in.	DRAWN -	REVISED -
PLOT DATE = 9/1/2022	CHECKED -	REVISED -
	DATE -	REVISED -

STATE OF ILLINOIS
DEPARTMENT OF TRANSPORTATION

PROPOSED PLAN - CULVERT REPAIR

SCALE: SHEET OF SHEETS STA. TO STA.

F.A.P. RTE. 317	SECTION (116-A)CLV	COUNTY PEORIA	TOTAL SHEETS 16	SHEET NO. 10
CONTRACT NO. 68E32				
ILLINOIS FED. AID PROJECT				



UPSTREAM QUANTITIES

	28100227	28200200	X2810212	X2810108	28000400	20100500
LOCATION	STONE RIPRAP, CLASS B4	FILTER FABRIC	STONE RIPRAP, CLASS A6 (SPECIAL)	STONE RIPRAP, CLASS A4 (SPECIAL)	PERIMETER EROSION BARRIER	TREE REMOVAL, ACRES **
SN 072-2008	TON	SQ YD	TON	TON	FOOT	ACRE
UPSTREAM	44	66	220	134	50	0.15
TOTAL	82	123	831	134	100	0.25

** QUANTITY INCLUDES ANTICIPATED NEED FOR CONTRACTOR ACCESS

NOTE:
 *DEBRIS REMOVAL - SEE SPECIAL PROVISIONS
 STONE RIPRAP, B4 & FILTER FABRIC MEASURED IN CADD

- EXISTING
- STONE RIPRAP, CLASS B4
- DEBRIS REMOVAL AND TREE REMOVAL BOUNDARY

MODEL: Default
 FILE NAME: \\p:\ultra\paw\bea\paw.com\PIV\DOT\Documents\DOT Office\Dir\drct_4\Project\104_68E32\CADD\Design\68xxxxx\Design.dgn

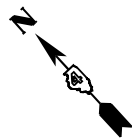
USER NAME = alex.jette	DESIGNED -	REVISED -
PLOT SCALE = 100,0000' / in.	DRAWN -	REVISED -
PLOT DATE = 9/1/2022	CHECKED -	REVISED -
	DATE -	REVISED -

**STATE OF ILLINOIS
 DEPARTMENT OF TRANSPORTATION**

PROPOSED PLAN - UPSTREAM

SCALE: SHEET OF SHEETS STA. TO STA.

F.A.P. RTE. 317	SECTION (116-A)CLV	COUNTY PEORIA	TOTAL SHEETS 16	SHEET NO. 11
ILLINOIS FED. AID PROJECT			CONTRACT NO. 68E32	



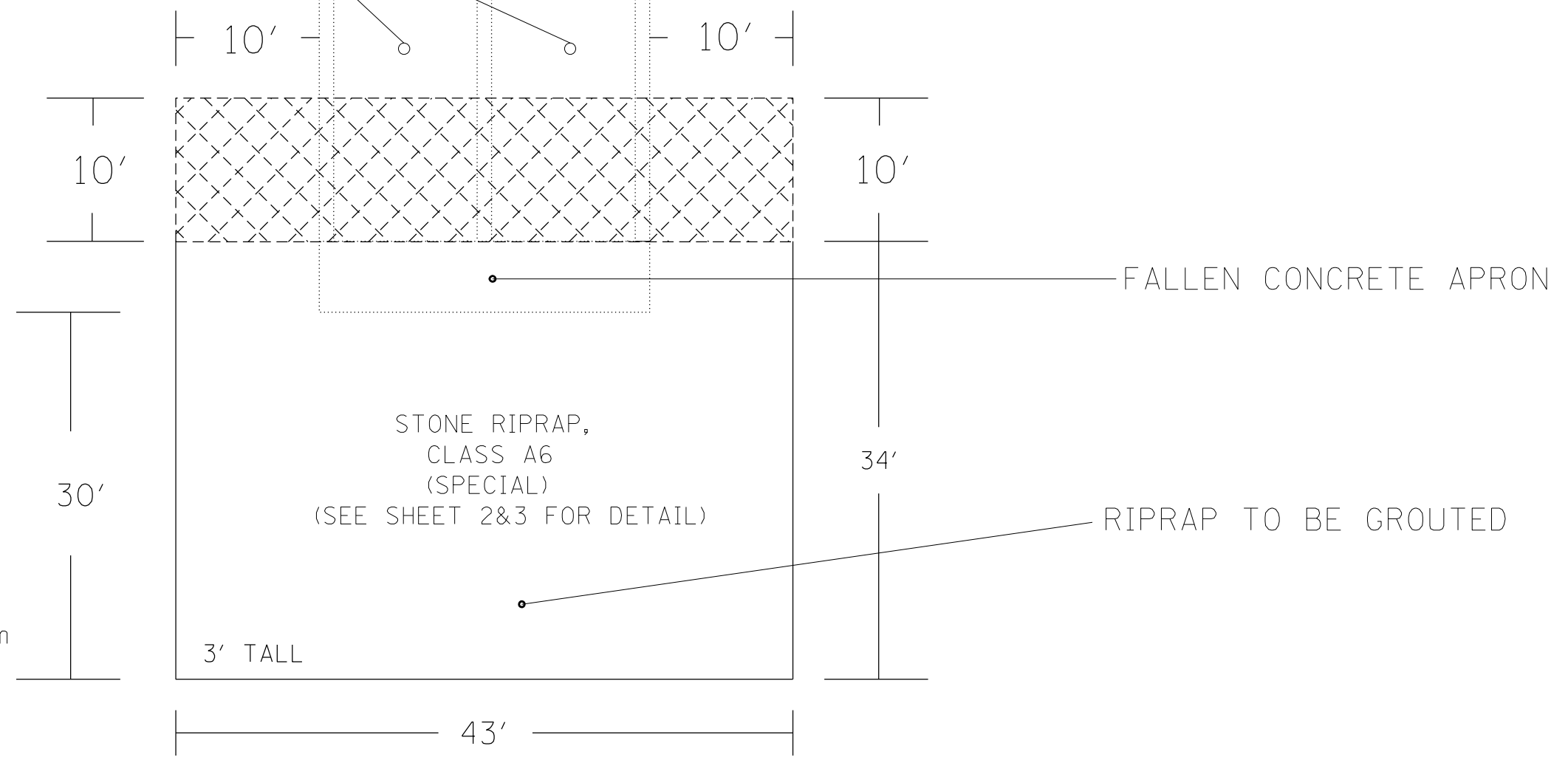
DOWNSTREAM QUANTITIES

	28100227	28200200	X2810212	X0324028	28000400	20100500	59300100
LOCATION	STONE RIPRAP, CLASS B4	FILTER FABRIC	STONE RIPRAP, CLASS A6 (SPECIAL)	GROUT FOR USE WITH RIPRAP	PERIMETER EROSION BARRIER	TREE REMOVAL, ACRES **	CONTROLLED LOW STRENGTH MATERIAL
SN 072-2008	TON	SQ YD	TON	TON	FOOT	ACRE	CU YD
DOWNSTREAM	38	57	610	27	50	0.10	44.4
TOTAL	82	123	831	27	100	0.25	45.0

** QUANTITY INCLUDES ANTICIPATED NEED FOR CONTRACTOR ACCESS

CAUTION:
POTENTIAL
UTILITY-
City of
Peoria
Storm
Sewer

CORE BARREL AND
FILL WITH CLSM



-At least 10' around end section to be cleared and place STONE RIPRAP, Class B4.

-Fill at least 30' of downstream channel with RR-6, Class A. End of the RR-6 placement will be 3' in height from stream bed. (See SHEET 2 for details)

-Core both barrels, 10'-15' from end section, and fill foundation void with flowable fill to the engineers' satisfaction. Plug hole with Grout when finished. SEE SHEET 2 FOR DETAIL.

..... EXISTING



MODEL: Default
FILE NAME: \\s:\projects\new\bea\pea\com\p\w\DOT\Documents\DOT Office\Director.d\Project\ID_68E32\CADD\Drawings\Design\Downstream\Design.dgn

USER NAME = alex.jette	DESIGNED -	REVISED -
PLOT SCALE = 100,0000' / in.	DRAWN -	REVISED -
PLOT DATE = 9/1/2022	CHECKED -	REVISED -
	DATE -	REVISED -

**STATE OF ILLINOIS
DEPARTMENT OF TRANSPORTATION**

PROPOSED PLAN - DOWNSTREAM (SHEET 1 OF 3)

SCALE: SHEET OF SHEETS STA. TO STA.

F.A.P. RTE. 317	SECTION (116-A)CLV	COUNTY PEORIA	TOTAL SHEETS 16	SHEET NO. 12
ILLINOIS FED. AID PROJECT			CONTRACT NO. 68E32	

NOT TO SCALE
TO SHOW DETAIL

AREA TO BE CLEARED AND
PLACE STONE RIPRAP, CLASS B4

..... EXISTING
—— PROPOSED



10'-15'

CORE BOTH BARRELS,
FILL WITH CLSM

30'

STONE RIPRAP,
CLASS A6
(SPECIAL)

RIPRAP TO BE GROUTED

+/- 12'

FALLEN
CONCRETE
APRON

UNDERMINED
AREA

ESTIMATED
SIZE =
45 CU YD

APPROXIMATE
WATER SURFACE

3'

CHANNEL BED

MODEL: Default
 FILE: \\naufc-pw-bentley.com\PW\DOT\Documents\DOT Office\Director_68E32\CADD\68E32\Design\68E32\Design.dgn

USER NAME = alex.jette	DESIGNED -	REVISED -
PLOT SCALE = 100,0000' / in.	DRAWN -	REVISED -
PLOT DATE = 9/1/2022	CHECKED -	REVISED -
	DATE -	REVISED -

**STATE OF ILLINOIS
DEPARTMENT OF TRANSPORTATION**

PROPOSED PLAN - DOWNSTREAM (SHEET 2 OF 3)

SCALE: SHEET OF SHEETS STA. TO STA.

F.A.P. RTE.	SECTION	COUNTY	TOTAL SHEETS	SHEET NO.
317	(116-A)CLV	PEORIA	16	13
ILLINOIS FED. AID PROJECT			CONTRACT NO. 68E32	



STONE RIPRAP,
CLASS A6
TO BE GROUTED

FALLEN
CONCRETE
APRON

MODEL: Default
FILE NAME: p:\ultra-cw-beach\p\111111\DOT Documents\111111\DOT Office\Dir\et al\Project\111111_68E32\CADD\111111\Design\111111\111111.dwg

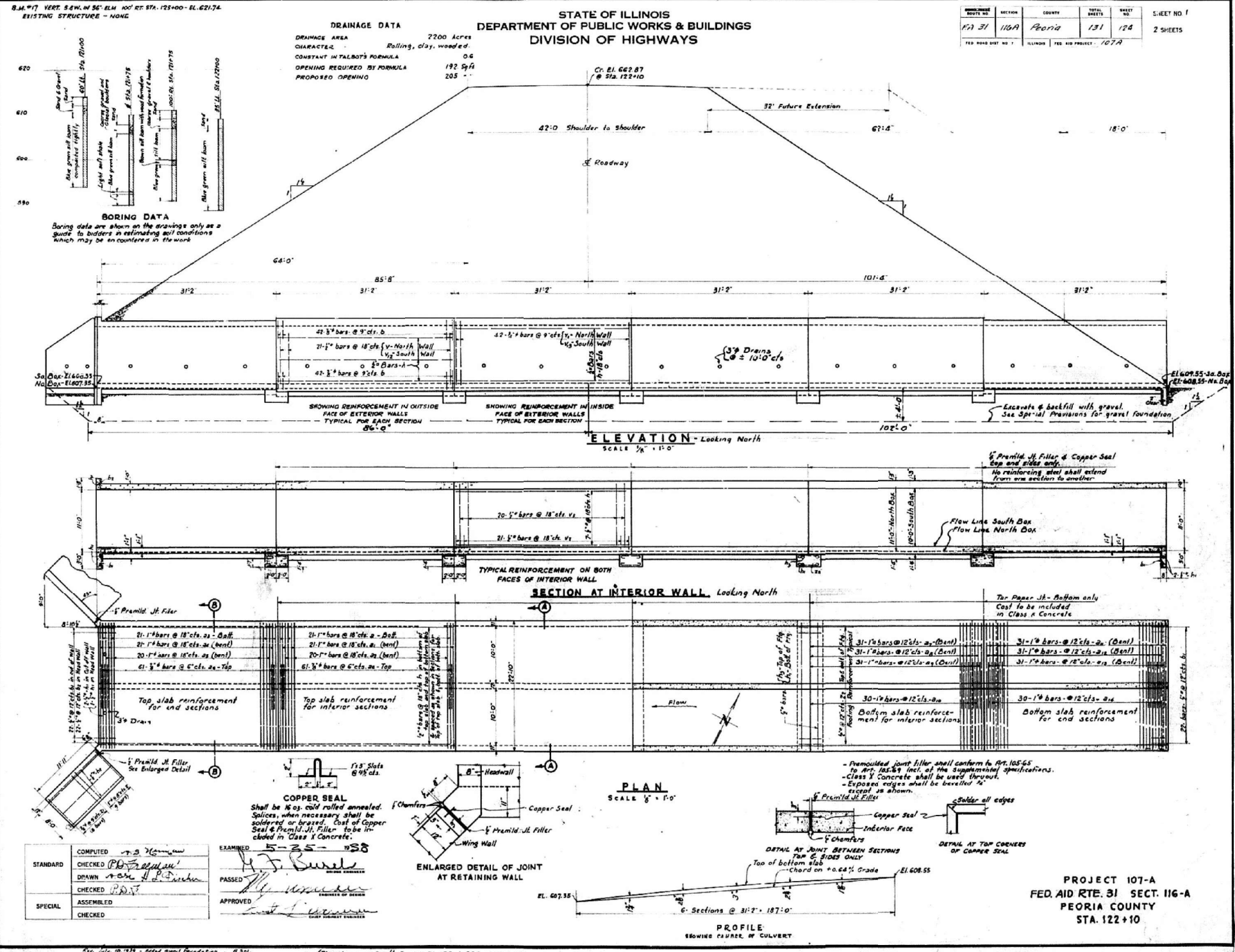
USER NAME = alex.jette	DESIGNED -	REVISED -
	DRAWN -	REVISED -
PLOT SCALE = 100,0000 ' / in.	CHECKED -	REVISED -
PLOT DATE = 9/1/2022	DATE -	REVISED -

**STATE OF ILLINOIS
DEPARTMENT OF TRANSPORTATION**

PROPOSED PLAN – DOWNSTREAM (SHEET 3 OF 3)

SCALE: SHEET OF SHEETS STA. TO STA.

F.A.P. RTE.	SECTION	COUNTY	TOTAL SHEETS	SHEET NO.
317	(116-A)CLV	PEORIA	16	14
CONTRACT NO. 68E32				
ILLINOIS FED. AID PROJECT				



FOR INFORMATION ONLY

USER NAME = alex.jette	DESIGNED -	REVISED -
	DRAWN -	REVISED -
PLOT SCALE = 100,0000' / in.	CHECKED -	REVISED -
PLOT DATE = 9/1/2022	DATE -	REVISED -

STATE OF ILLINOIS
DEPARTMENT OF TRANSPORTATION

OLD PLANS

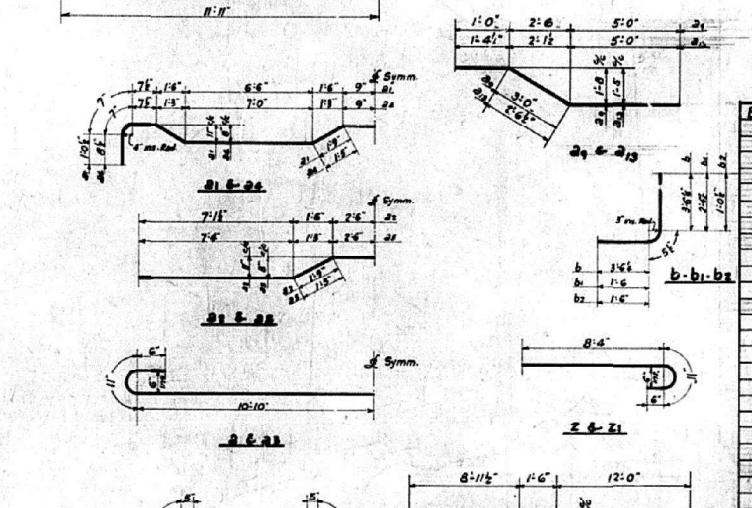
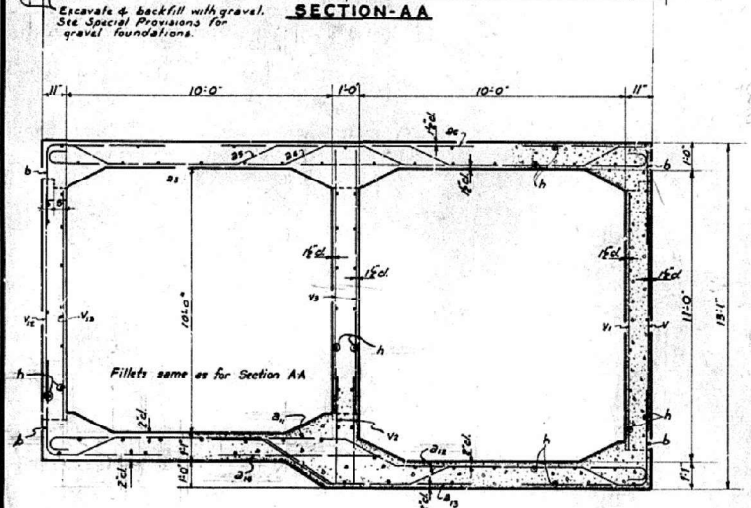
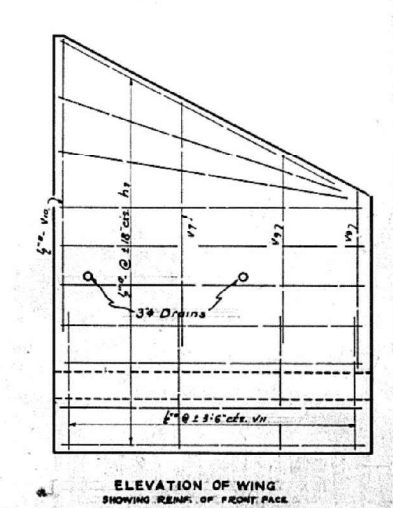
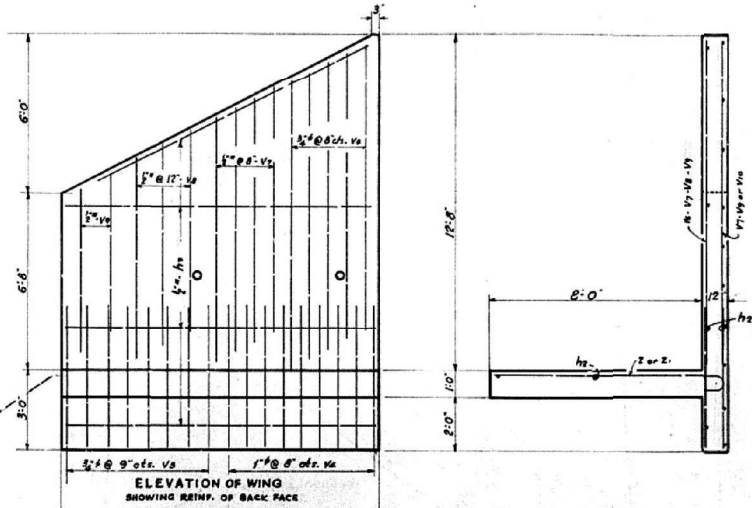
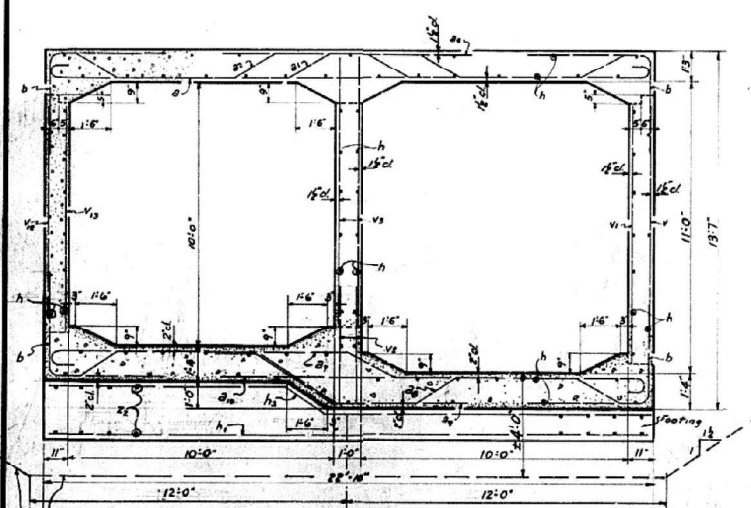
SCALE: SHEET OF SHEETS STA. TO STA.

F.A.P. RTE.	SECTION	COUNTY	TOTAL SHEETS	SHEET NO.
317	(116-A)CLV	PEORIA	16	15
CONTRACT NO. 68E32				
ILLINOIS FED. AID PROJECT				

MODEL: Defaul
 FILE: NAME: p:\build\pw\be\ef\com\p\w\dot\Documents\DOT\Office\Director\68E32\CADD\Bldg\Design\116-A-CLV-Design.dgn
 DATE: 9/1/2022

STATE OF ILLINOIS
DEPARTMENT OF PUBLIC WORKS & BUILDINGS
DIVISION OF HIGHWAYS

ROUTE NO.	SECTION	COUNTY	TOTAL SHEETS	SHEET NO.	SHEET NO. 2
EA 31	116-A	Peoria	131	125	2 SHEETS
FED. ROAD DIST. NO. 7 ILLINOIS FED. AID PROJECT - 127A					



BILL OF MATERIAL

BAR NO.	NO.	SIZE	LGTH.	BAR NO.	NO.	SIZE	LGTH.
a1	124	1"	25-0	a1	84	1"	26-0
a2	124	"	26-3	a1	84	"	26-0
a3	124	"	18-6	a3	82	"	27-9
a4	120	"	6-0	a3	82	1"	26-6
a5	62	1"	25-0	a4	82	"	28-0
a6	62	"	28-3	a5	40	"	22-6
a7	62	"	26-6	a6	366	1"	9-0
a8	160	"	6-0	b	1008	"	7-8
				b1	44	1"	8-6
				b2	22	"	3-0
				h	450	"	30-9
				h1	15	"	20-6
				h2	24	"	11-6
				v	126	1"	8-6
				v1	252	1"	9-9
				v2	282	1"	8-6
				v3	240	"	10-0
				v4	18	1"	5-3
				v5	18	1"	5-3
v6	126	1"	7-6	v6	10	"	11-0
v7	252	1"	8-9	v7	10	1"	9-3
				v8	6	"	3-0
				v9	8	"	6-6
				v10	2	"	11-0
				v11	8	"	5-3
				z	18	1"	9-9
				z1	16	1"	9-9
				z2	230	1"	5-6

Class X Concrete Cu. Yds. 687.3
Reinforcement Bars Lbs. 116150
Gravel Foundation Cu. Yds. 566.0

COMPUTED	APPROVED	5-25-1938
CHECKED	APPROVED	
DRAWN	APPROVED	
CHECKED	APPROVED	
SPECIAL	APPROVED	
CHECKED	APPROVED	

PROJECT 107-A
FED. AID RTE. 31 SECT. 116-A
PEORIA COUNTY
STA. 122+10

FOR INFORMATION ONLY

Rev. July 18, 1938 Added Gravel Foundation - R.S.N.
Rev. Oct. 31, 1938 New line in to. Was raised 10" R.S.N.

MODEL: Default
FILE NAME: p:\build\paw\benefix.com\PIV\DOT\Documents\1\DOT Office\Direct.dwg
PROJECT: D:\68E32\CADD\Bids\Design\116-A\116-A-125.dwg