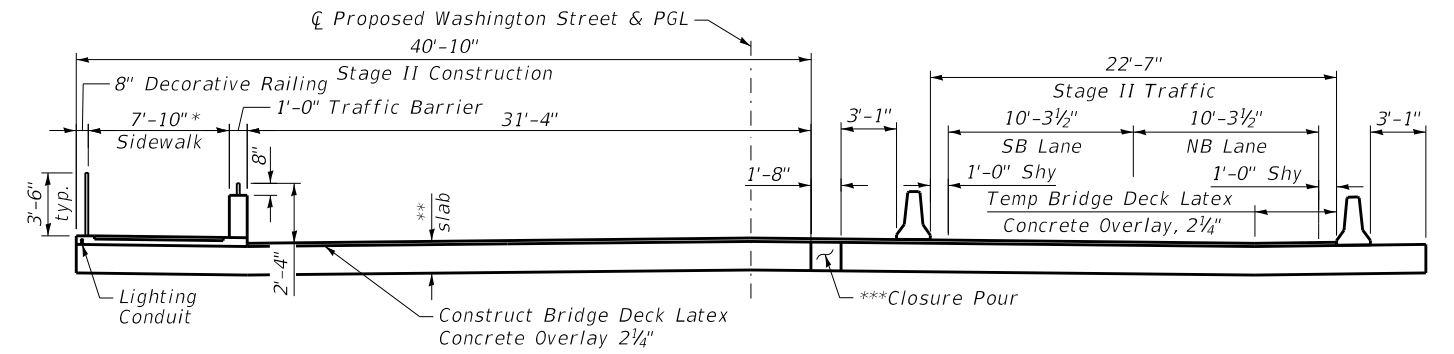
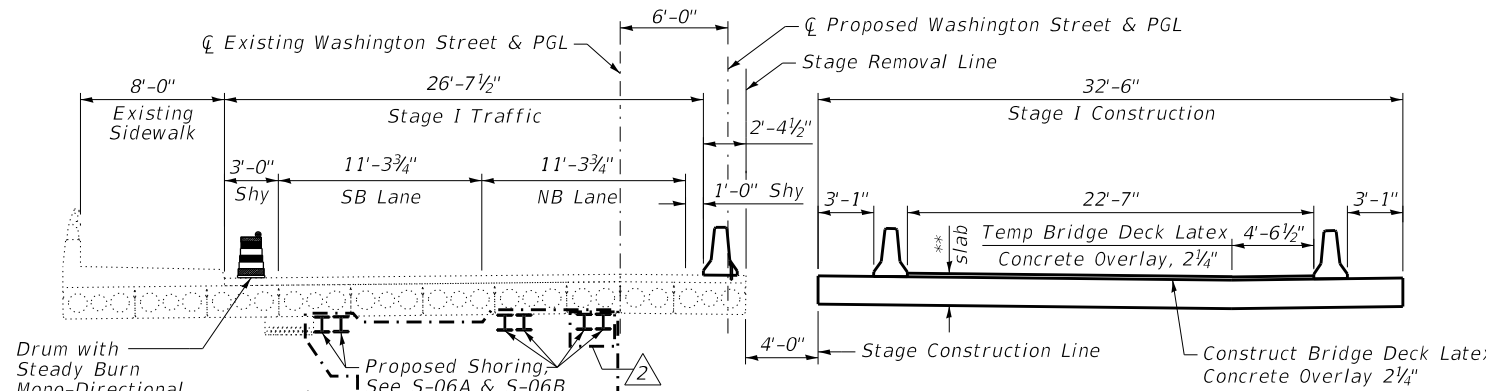


STAGE I REMOVAL
(Looking North)

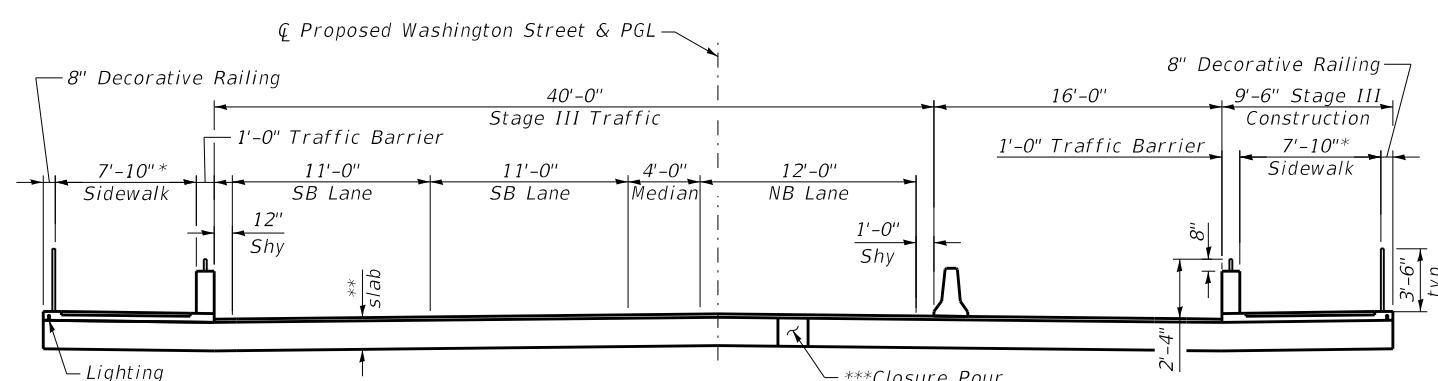


STAGE II CONSTRUCTION
(Looking North)

***Closure Pour to take place after Stage II slab is poured

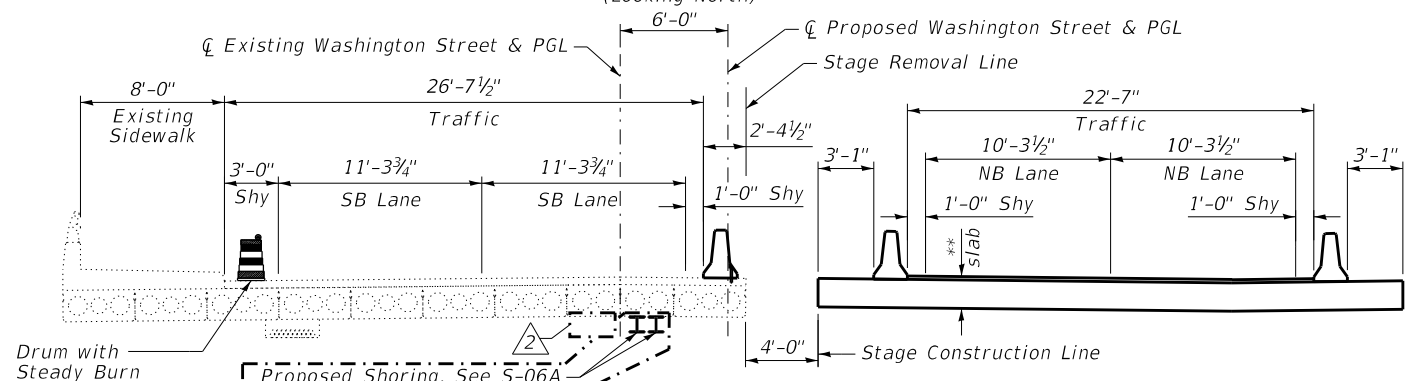


STAGE I CONSTRUCTION
(Looking North)

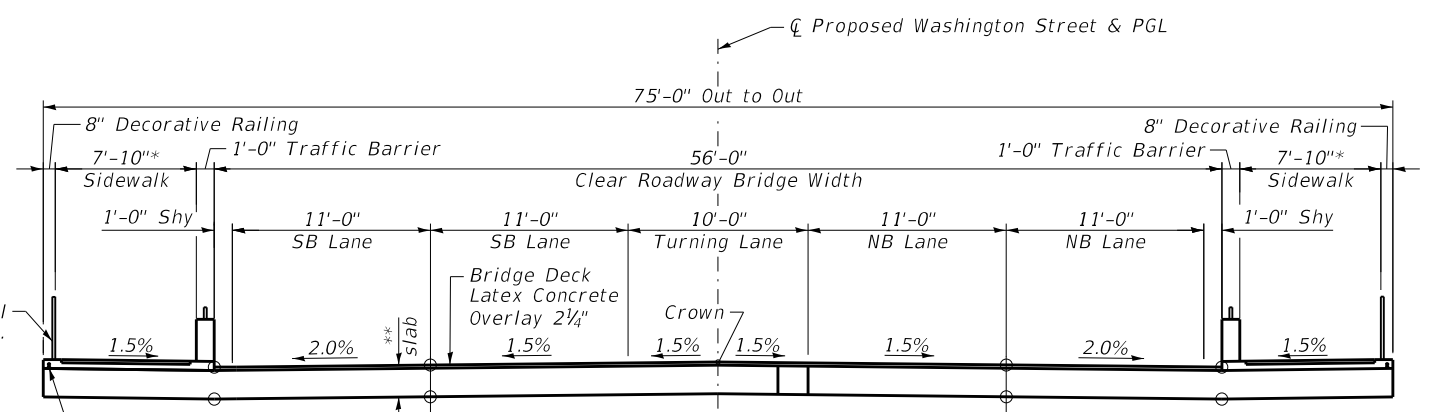


STAGE IV CONSTRUCTION
(Looking North)

***Closure Pour to take place after Stage II slab is poured



WINTER SHUTDOWN
(Looking North)



PROPOSED CROSS SECTION
(Looking North)

NOTES:

1. For Temporary Concrete Barrier and Drum, see Roadway Plans.
2. For overall construction staging, see Roadway plans.
3. Dimensions shown are to edge of bridge deck and do not include overlook.
4. Bridge Deck Latex Concrete Overlay 2 1/4" seam shall not occur within 1'-0" of staged construction joint.
5. Temporary Bridge Deck Latex Concrete Overlay, 2 1/4" shall be removed prior to Stage IV construction and shall not affect maintenance of traffic. Temporary Bridge Deck Latex Concrete Overlay, 2 1/4" removal paid for as Bridge Deck Scarification, 2 1/4".
6. Removal of Temporary Support System included in cost of Temporary Support System. See Special Provision.

*Sidewalk width increases to 11'-0" at overlook.
**Slab thickness varies from 1'-10" at Abutments to 3'-0" at Pier.

FILE NAME: N:\PROJ\020794-01\Design\Structural\CAD\020794-01_06-Bridge_Construction_Staging_Add1.dgn

CiorbaGroup
8725 W. Higgins Rd, Ste 600, Chicago, IL 60631
P 773.775.4009 | www.ciorba.com

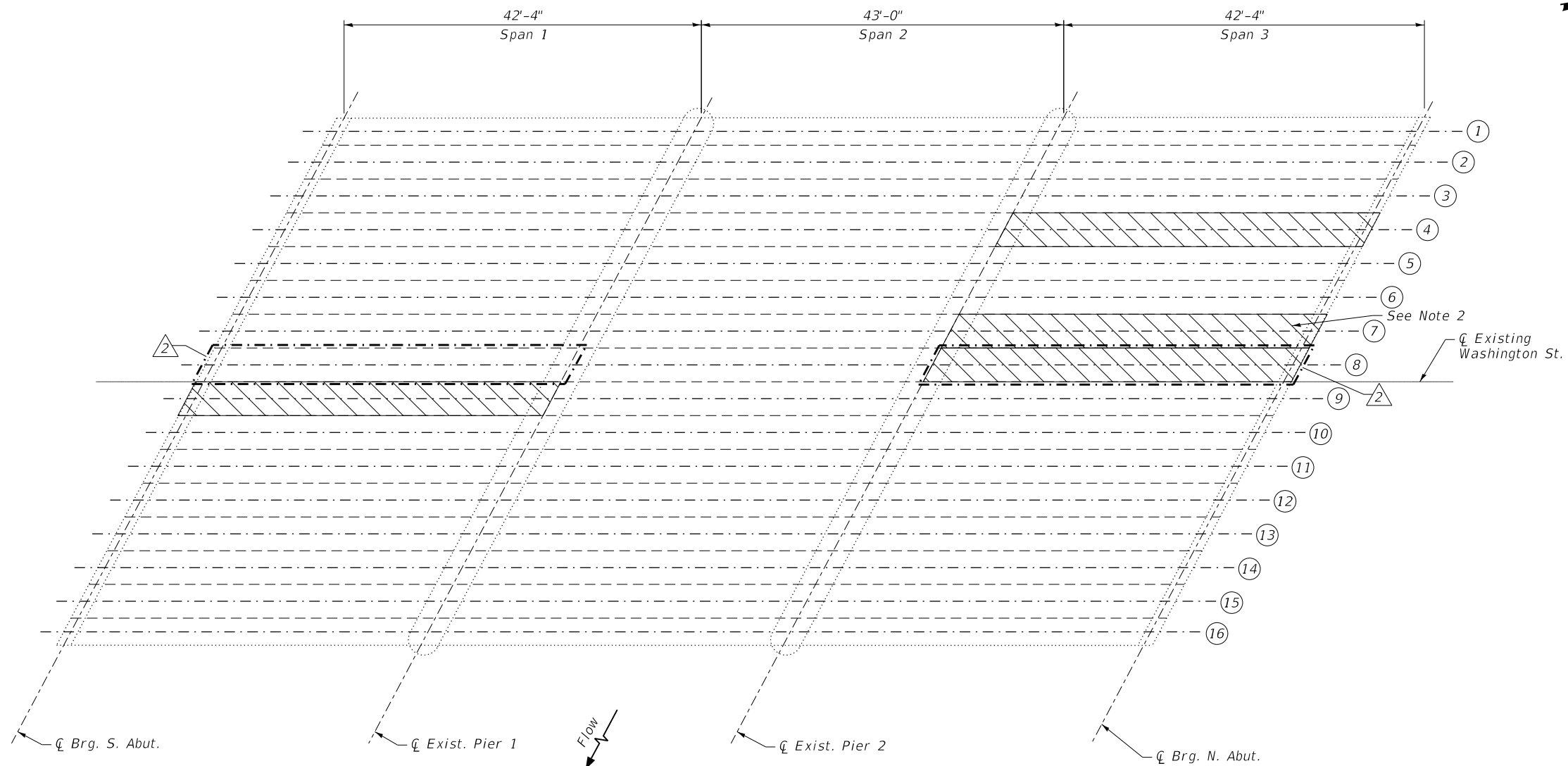
USER NAME = Structural	DESIGNED - MLK	REVISED 11/03/22 LM
PLOT SCALE = 0.1667' / in.	CHECKED - BWS	REVISED 11/09/22 LM
PLOT DATE = 8/8/2022	DRAWN - SBA	REVISED -
	CHECKED - BWS	REVISED -

STATE OF ILLINOIS
DEPARTMENT OF TRANSPORTATION

BRIDGE CONSTRUCTION STAGING
STRUCTURE NO. 022-6749

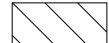
SHEET S-6 OF S-48 SHEETS

F.A.U. RTE.	SECTION	COUNTY	TOTAL SHEETS	SHEET NO.
2552	16-00167-00-BR	DUPAGE	261	190
CONTRACT NO.			61G82	
ILLINOIS FED. AID PROJECT				



EXISTING PLAN

LEGEND

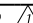
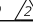
 Beam to be temporarily supported

NOTES:

1. See sheet S-6B for Structural Support Details.
2. Based on existing conditions, Beam 4, 8 & 9 require support. It is anticipated that Beam 7 will need to be supported, but locations should be confirmed by ENGINEER at time of installation.

FILE NAME: N:\PROJ\020794.01\Design\Structural\CAD\020794.01_06A-Existing_Structure_Repair.Ldgn



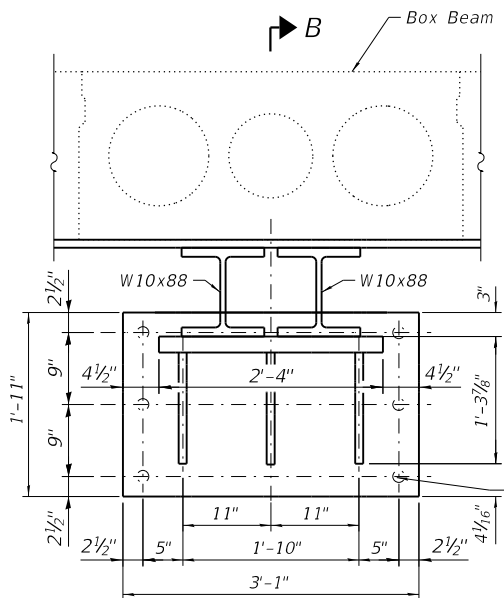
USER NAME =	Structural	DESIGNED -	MLK	REVISED 	11/03/22 LM
		CHECKED -	BWS	REVISED 	11/09/22 LM
PLOT SCALE =	0.1667' / in.	DRAWN -	SBA	REVISED -	
PLOT DATE =	8/8/2022	CHECKED -	BWS	REVISED -	

STATE OF ILLINOIS
DEPARTMENT OF TRANSPORTATION

EXISTING BOX BEAM TEMPORARY SUPPORT I
STRUCTURE NO. 022-6749

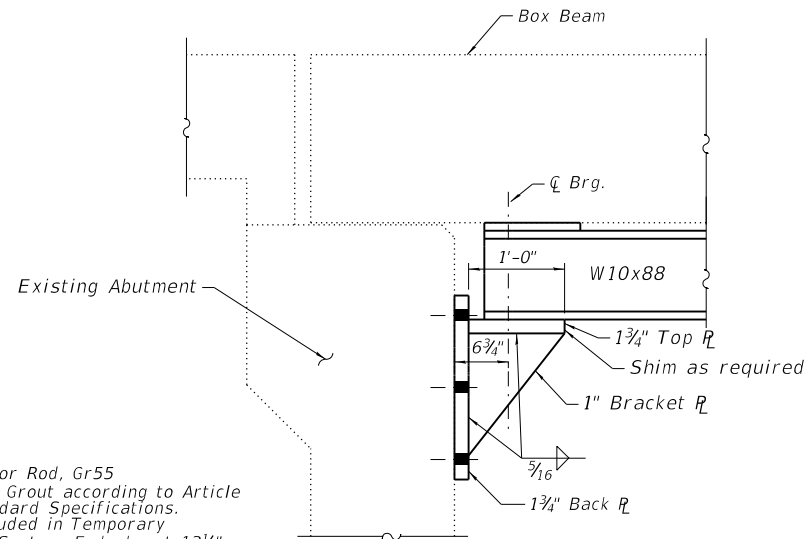
SHEET S-6A OF S-48 SHEETS

F.A.U. RTE.	SECTION	COUNTY	TOTAL SHEETS	SHEET NO.
2552	16-00167-00-BR	DUPAGE	261	190A
CONTRACT NO.			61G82	
ILLINOIS FED. AID PROJECT				



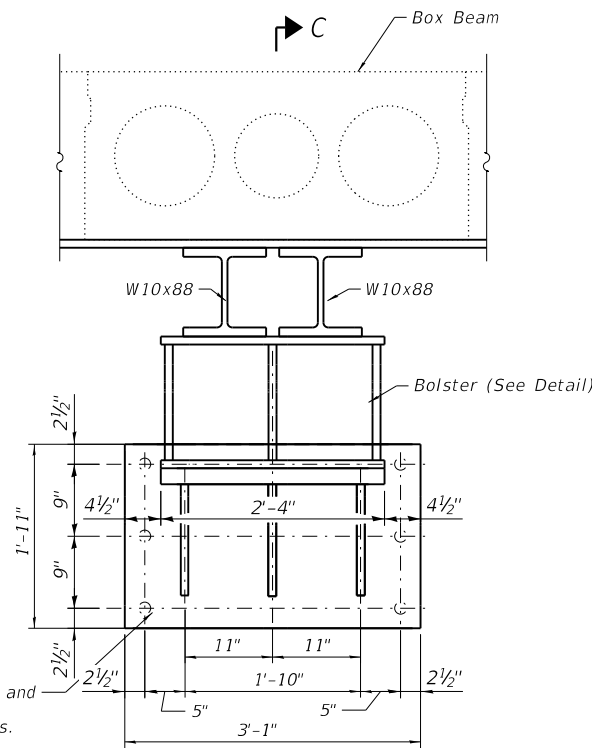
VIEW A-A
(at Abutments)

1/4" Anchor Rod, Gr55
Drill and Grout according to Article
584 Standard Specifications.
Cost included in Temporary
Support System. Embedment 13 1/4"

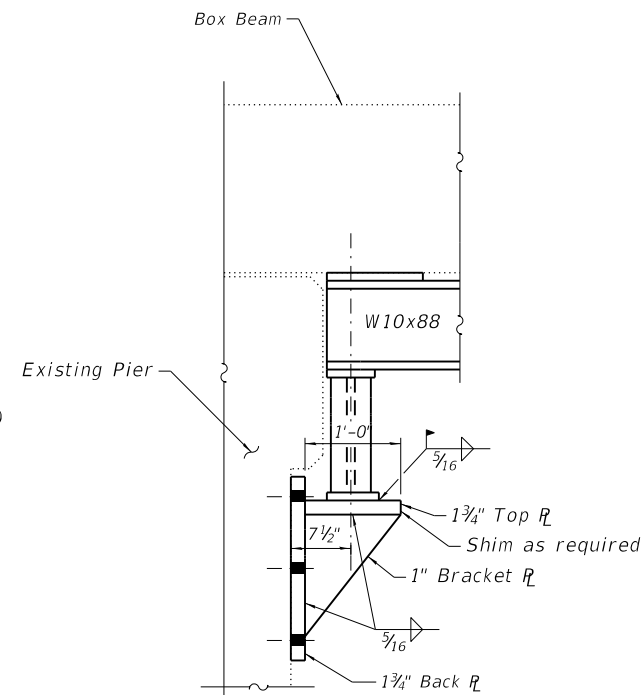


SECTION B-B
(at right angle with Support Bracket)

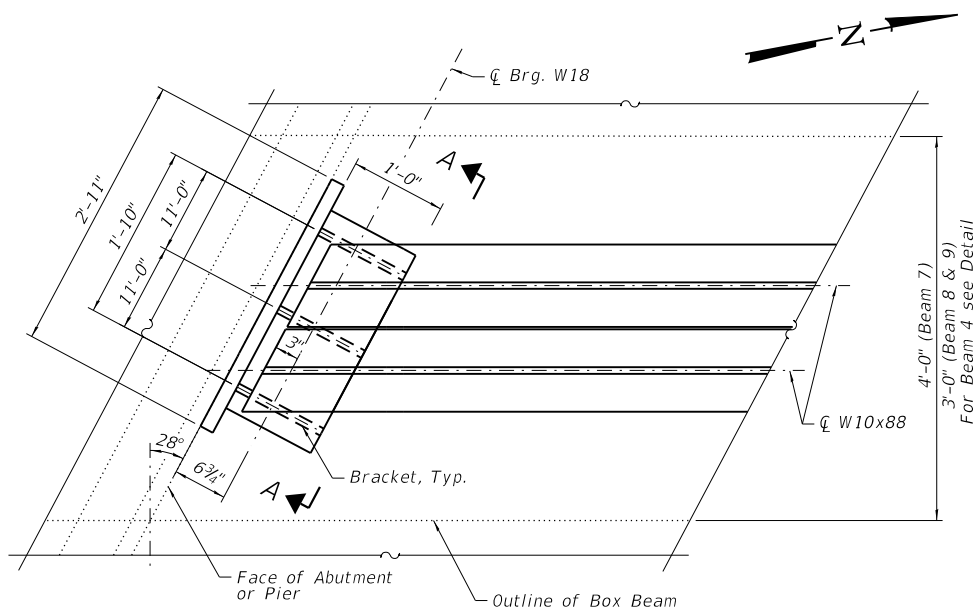
1/4" Anchor Rod, Gr55 Drill and
Grout according to Article
584 Standard Specifications.
Cost included in Temporary
Support System.
Embedment 13 1/4"



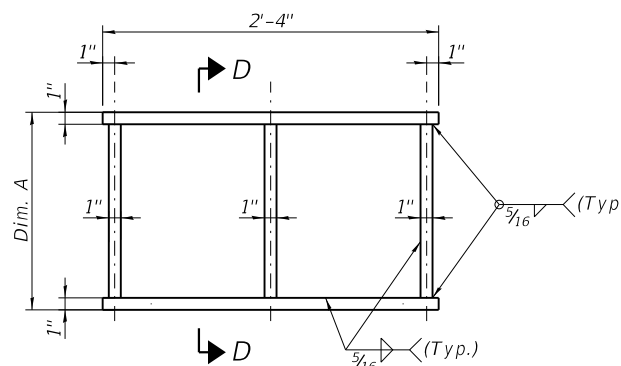
VIEW A-A
(at Piers)



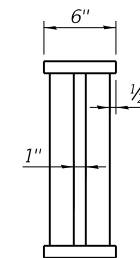
SECTION C-C
(at right angle with Support Bracket)



TEMPORARY SUPPORT SYSTEM



BOLSTER DETAIL

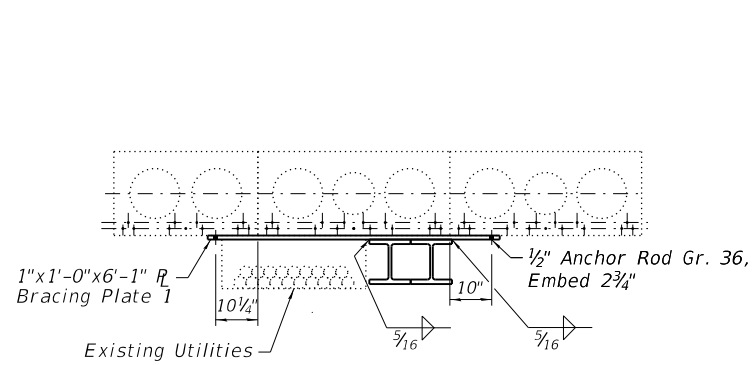


SECTION D-D

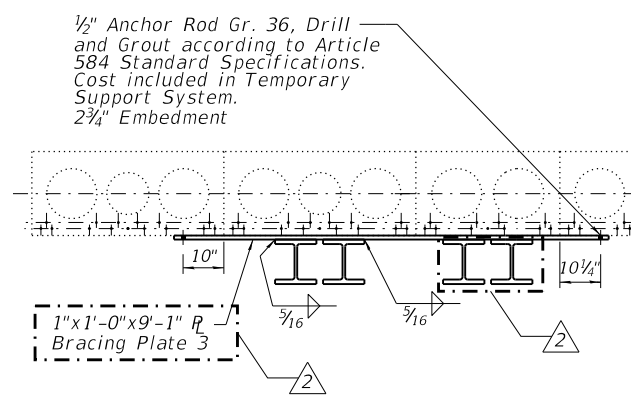
Location	Dim. A
Span 3, Beam 8	1'-3 3/8"
Span 1, Beam 9	1'-3 3/8"
Span 3, Beam 4	1'-1 1/2"
Span 3, Beam 7	1'-3 3/8"

2

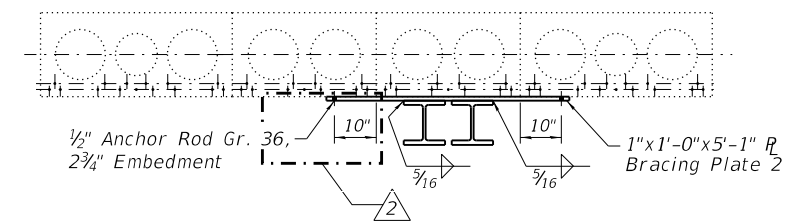
FILE NAME: N:\PROJ\020794.01\Design\Structural\CAD\020794.01_06B-Existing_Structure_Repair_IL.dgn



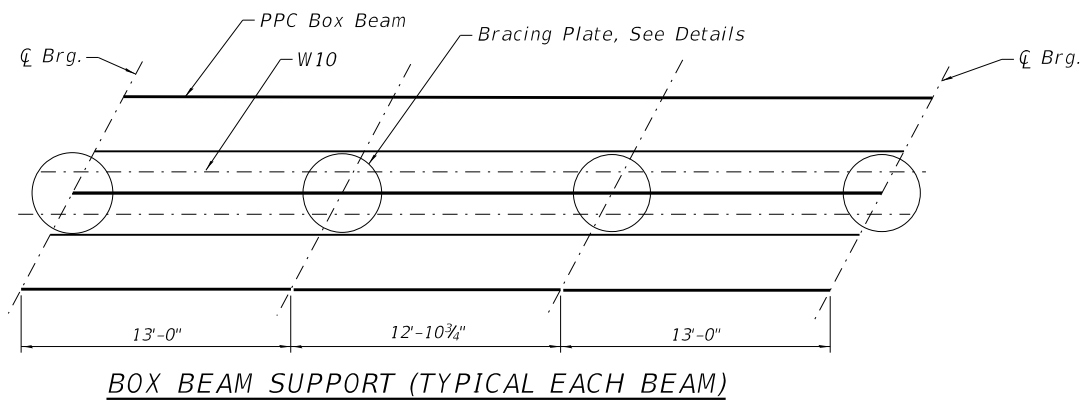
DETAIL AT BEAM 4 - SPAN 3



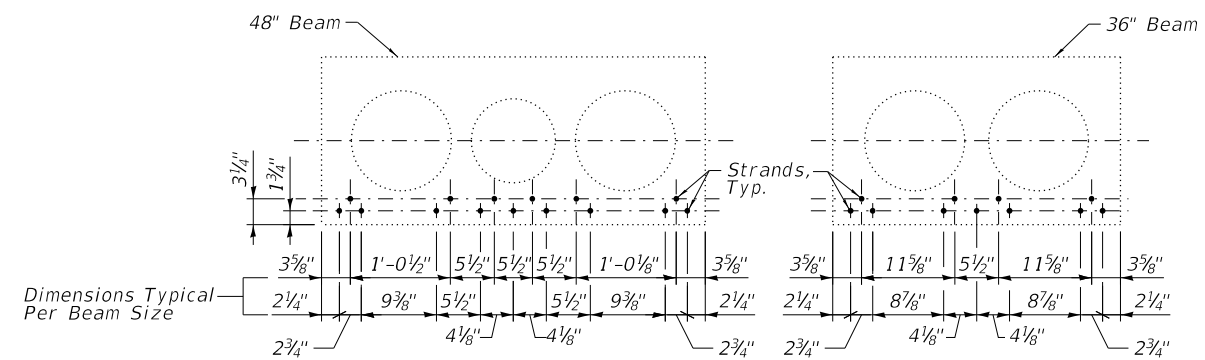
DETAIL AT BEAM 7 AND 8 - SPAN 3



DETAIL AT BEAM 9 - SPAN 1



BOX BEAM SUPPORT (TYPICAL EACH BEAM)



Note: Location of Strands are based on existing structure plans.

BEAM DETAIL SHOWING STRAND LOCATIONS

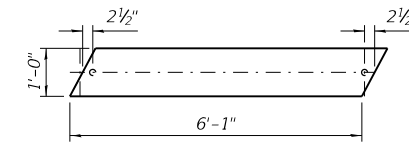


PLATE 1

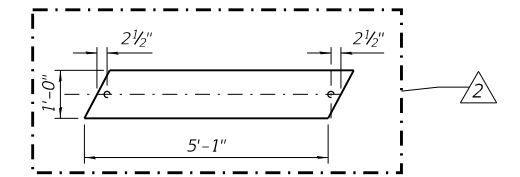


PLATE 2

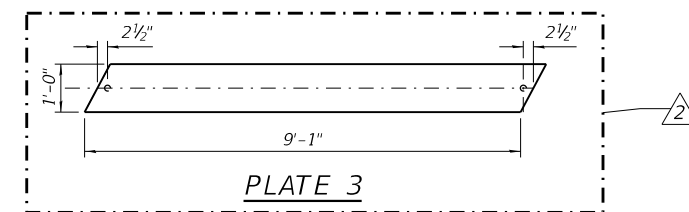


PLATE 3

FILE NAME: N:\PROJ\020794.01\Design\Structural\CAD\020794.01_06C-Existing_Structure_Repair_III.dgn



USER NAME = Structural	DESIGNED - MLK	REVISED - 11/03/22 LM
PLOT SCALE = 0.1667' / in.	CHECKED - BWS	REVISED - 11/09/22 LM
PLOT DATE = 8/8/2022	DRAWN - SBA	REVISED -
	CHECKED - BWS	REVISED -

STATE OF ILLINOIS
DEPARTMENT OF TRANSPORTATION

EXISTING BOX BEAM TEMPORARY SUPPORT II
STRUCTURE NO. 022-6749

SHEET S-6C OF S-48 SHEETS

F.A.U. RTE.	SECTION	COUNTY	TOTAL SHEETS	SHEET NO.
2552	16-00167-00-BR	DUPAGE	261	190C
CONTRACT NO.			61G82	
ILLINOIS		FED. AID PROJECT		