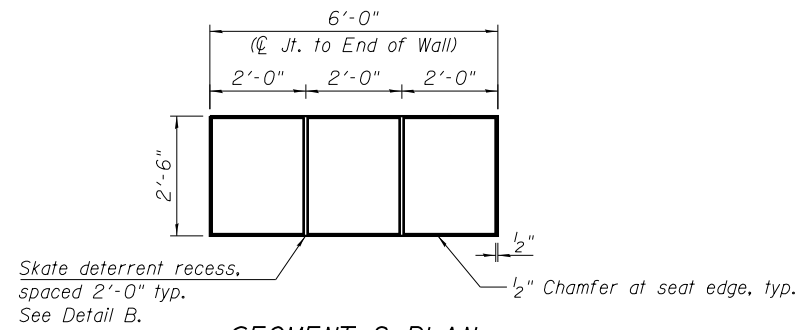
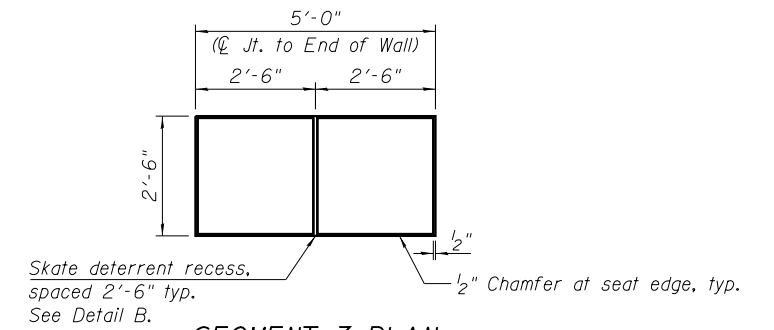


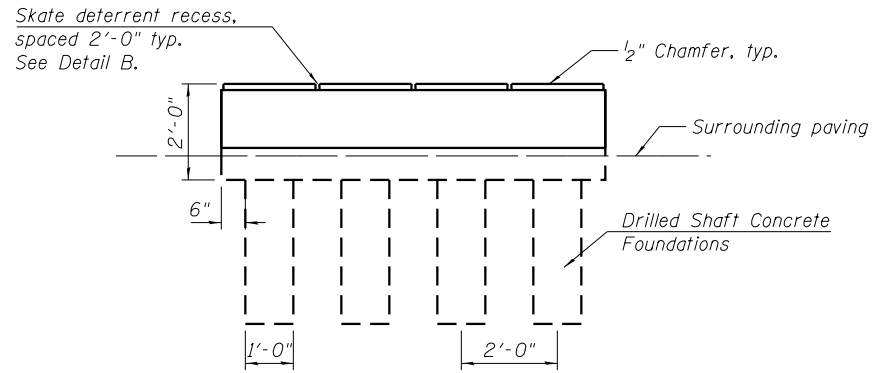
SEGMENT 1 PLAN



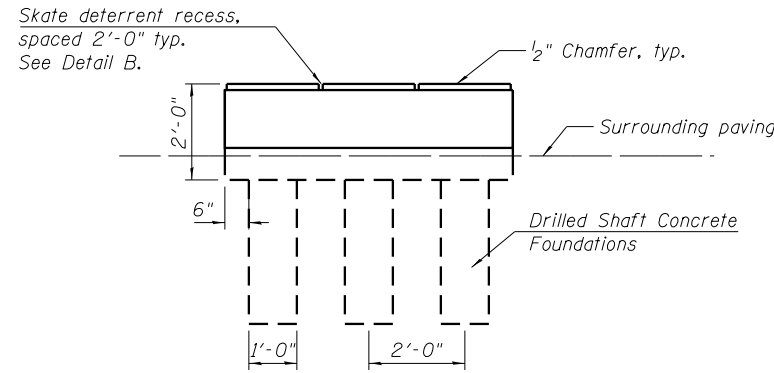
SEGMENT 2 PLAN



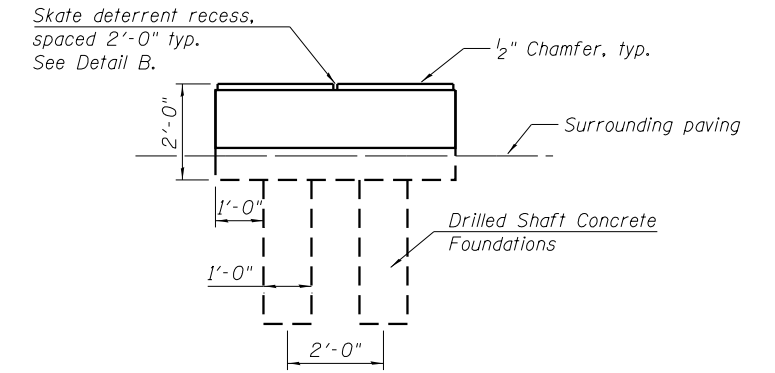
SEGMENT 3 PLAN



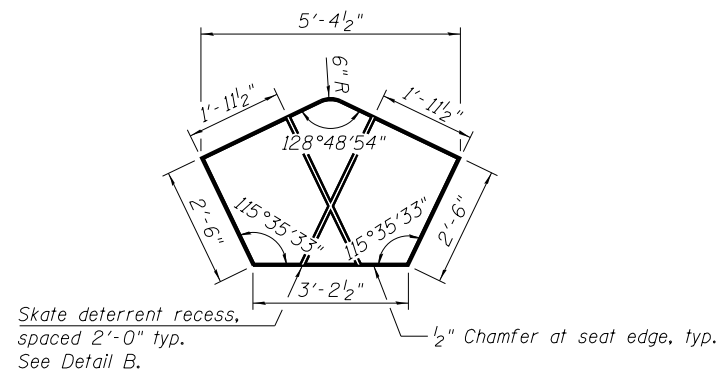
SEGMENT 1 ELEVATION



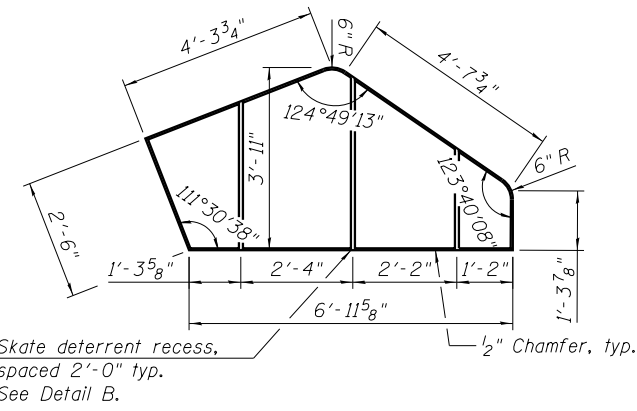
SEGMENT 2 ELEVATION



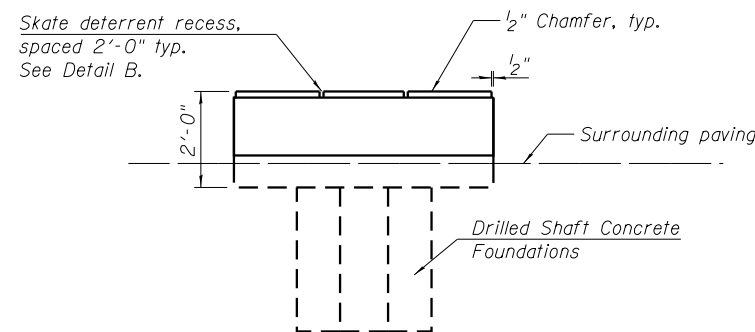
SEGMENT 3 ELEVATION



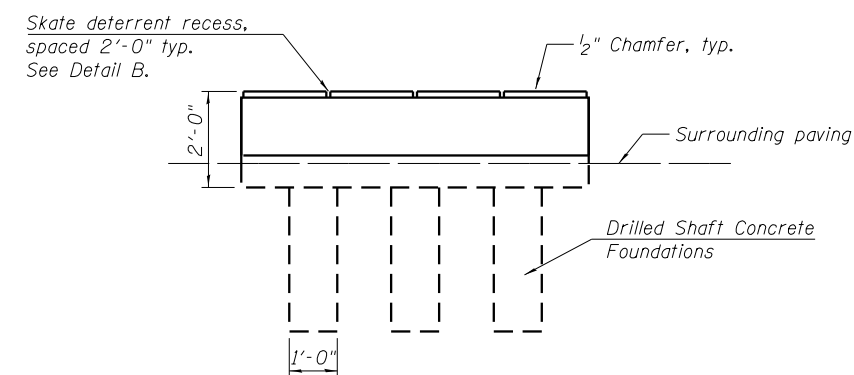
SEGMENT 4 PLAN



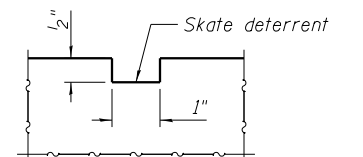
SEGMENT 5 PLAN



SEGMENT 4 ELEVATION



SEGMENT 5 ELEVATION



DETAIL B

1:50:51 PM
0161708-60x62-5005-SeatWallDetails



USER NAME = BAWitor†	DESIGNED WJC	REVISED
PLOT SCALE = 8.0000' / in.	CHECKED DL	REVISED
PLOT DATE = 8/19/2014	DRAWN WJC	REVISED
	CHECKED DL/KAH	REVISED

STATE OF ILLINOIS
DEPARTMENT OF TRANSPORTATION

PRECAST WALL TYPE A AND B DETAILS 2

SHEET NO. 5 OF 7 SHEETS

MUN	SECTION	COUNTY	TOTAL SHEETS	SHEET NO.
2090	2013-0741	COOK	58	52
CONTRACT NO.			60X62	
ILLINOIS FED. AID PROJECT				