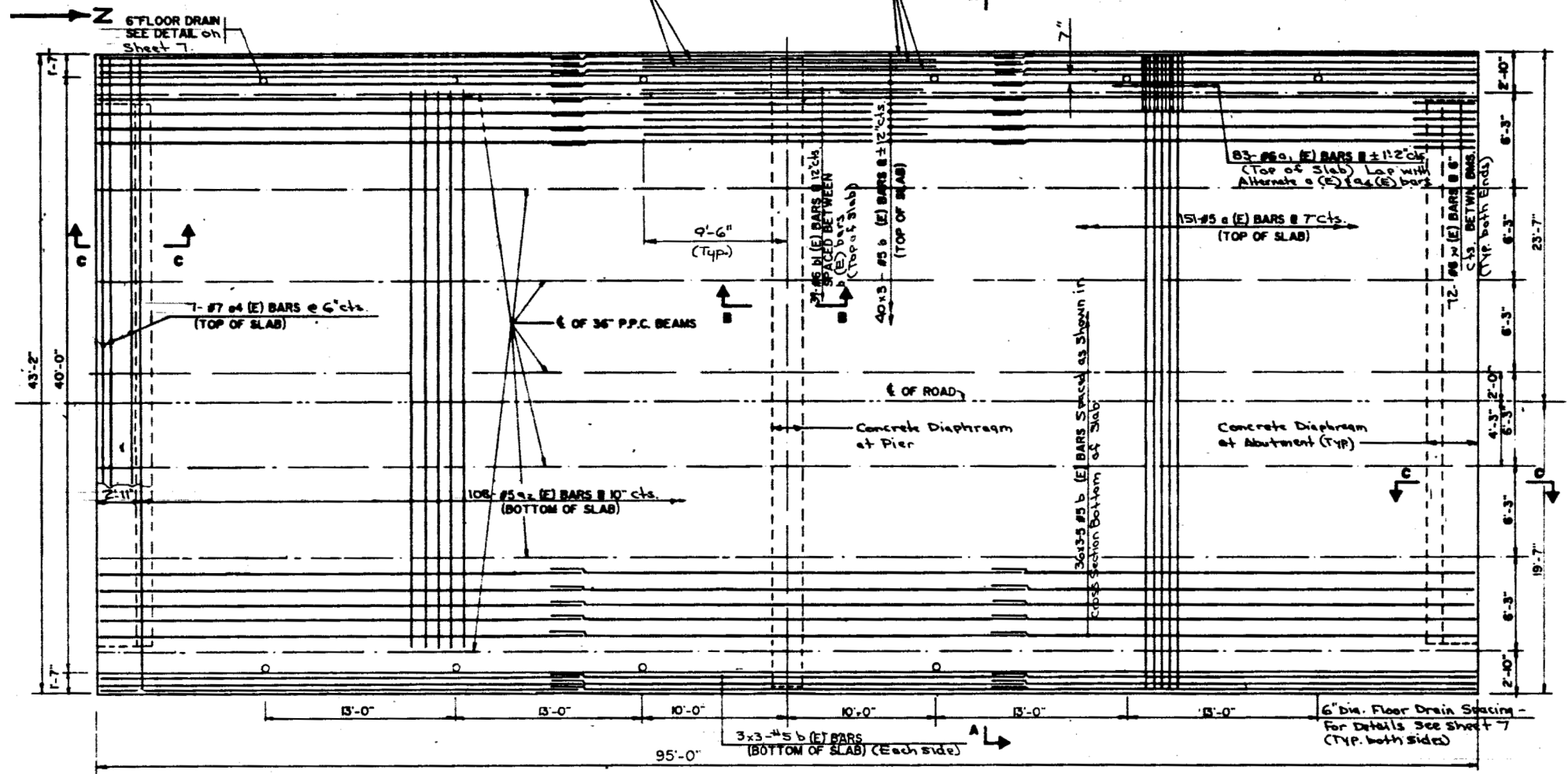
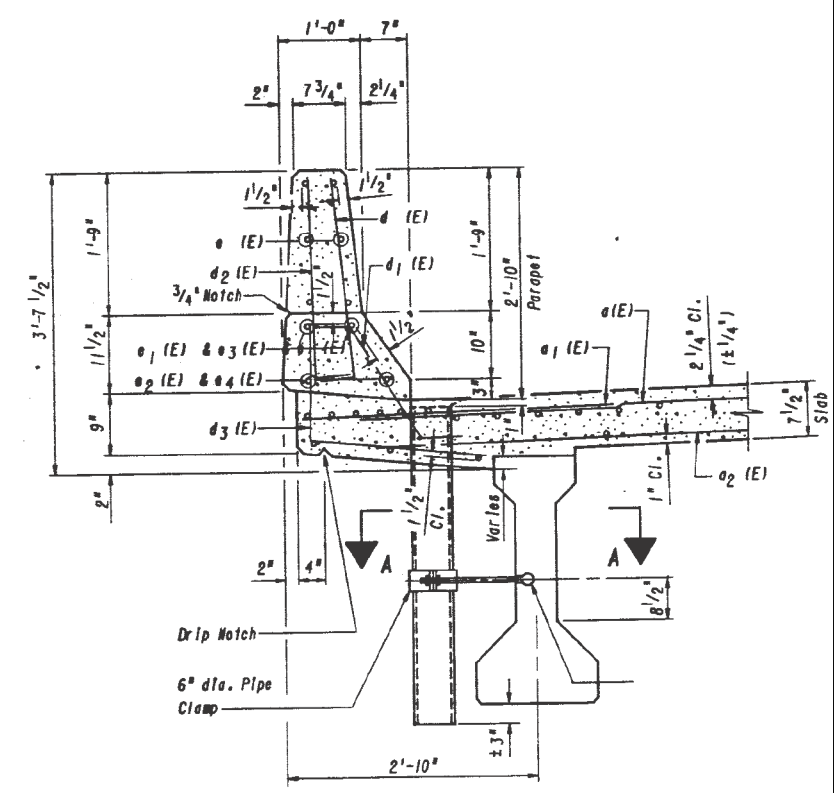


**CROSS-SECTION A-A**

Note: Lap b (E) bars a minimum of 1'-8" where required.  
 2-#6 b (E) bars Spaced between b (E) bars (Top of 3/4b) (Each Side)  
 3x3-#5 b (E) bars (Top of Slab) (Each Side)  
 Looking North at west bridge  
 Looking South at east bridge



**PLAN**  
 (West Bridge shown)  
 (East Bridge is mirror image of West Bridge)



**SECTION THRU PARAPET**

FILE NAME =	USER NAME = osbornnp	DESIGNED -	REVISED -	<b>STATE OF ILLINOIS DEPARTMENT OF TRANSPORTATION</b>	<b>TYPICAL CROSS SECTION &amp; DECK PLAN VIEW LOCATIONS 3 &amp; 4: SN 099-0086 &amp; 0087</b>	RTE	SECTION	COUNTY	TOTAL SHEETS	SHEET NO.	
ci:\pwwork\p\d\osbornnp\d0388338\014614-sh.t\typical.dgn	DRAWN -	REVISED -	VARIOUS			2014-0351	WILL	50	14		
PLOT SCALE = 100.0000' / 1"	CHECKED -	REVISED -	CONTRACT NO. 60Y29								
Default	DATE -	REVISED -	ILLINOIS FED. AID PROJECT								
					SCALE:	SHEET	OF	SHEETS	STA.	TO	STA.