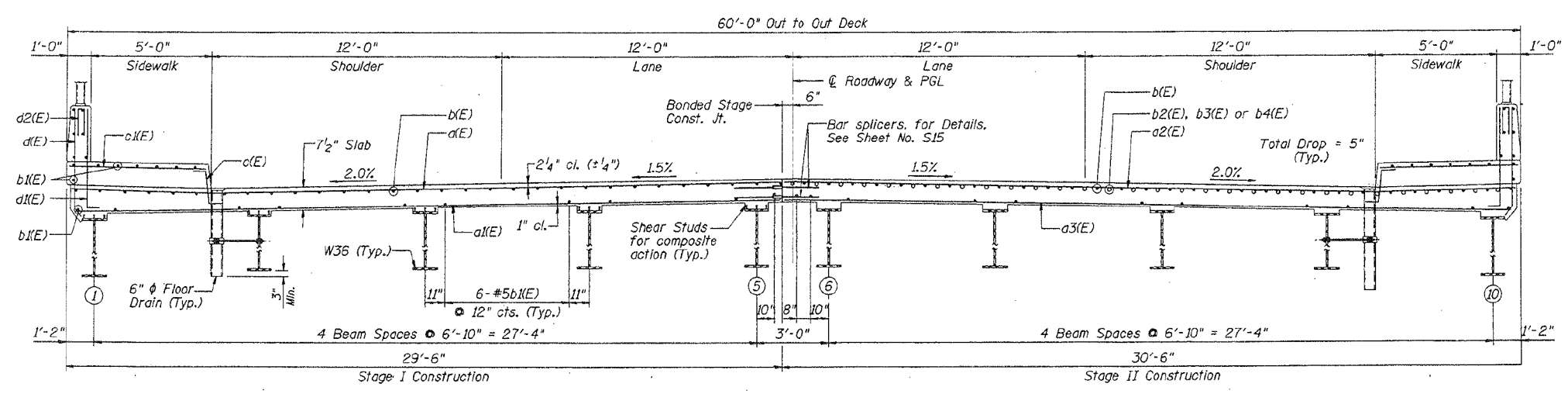


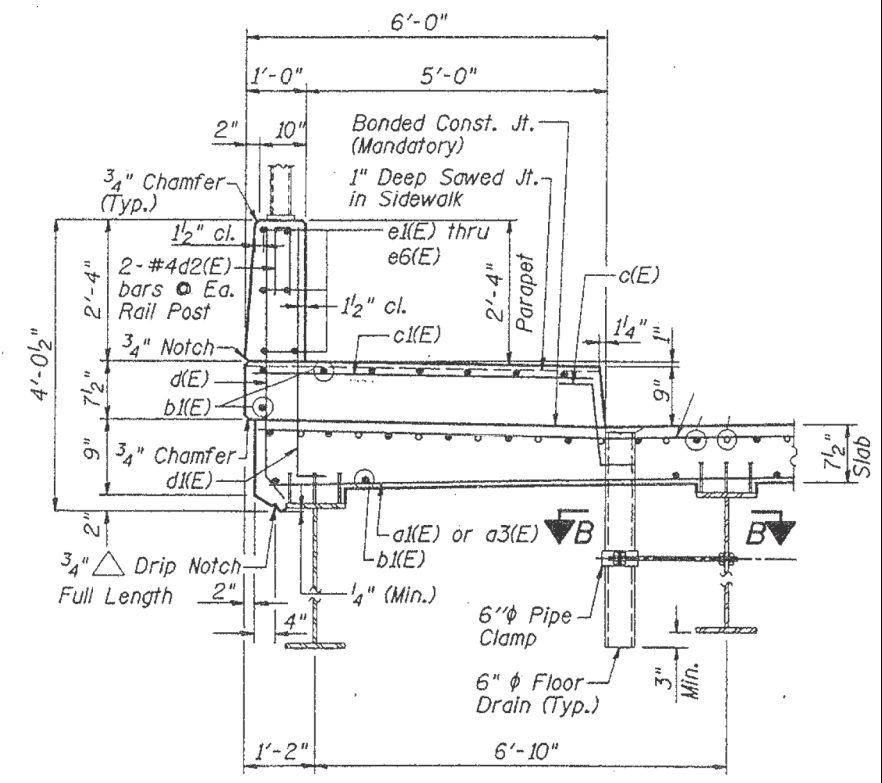
PLAN



AT MIDSPAN

CROSS SECTION  
(Looking North)

NEAR PIER



SECTION THRU PARAPET

FILE NAME =	USER NAME = osbornnp	DESIGNED -	REVISED -	<b>STATE OF ILLINOIS DEPARTMENT OF TRANSPORTATION</b>	<b>TYPICAL CROSS SECTION &amp; DECK PLAN VIEW LOCATION 16: SN 099-0175</b>		RTE	SECTION	COUNTY	TOTAL SHEETS	SHEET NO.
Default	Plot Scale = 100.0000' / 1in.	DRAWN -	REVISED -				VARIOUS	2014-0351	WILL	50	26
	PLOT DATE = 8/22/2014	CHECKED -	REVISED -		SCALE: SHEET OF SHEETS STA. TO STA.		CONTRACT NO. 60Y29				
		DATE -	REVISED -		ILLINOIS FED. AID PROJECT						