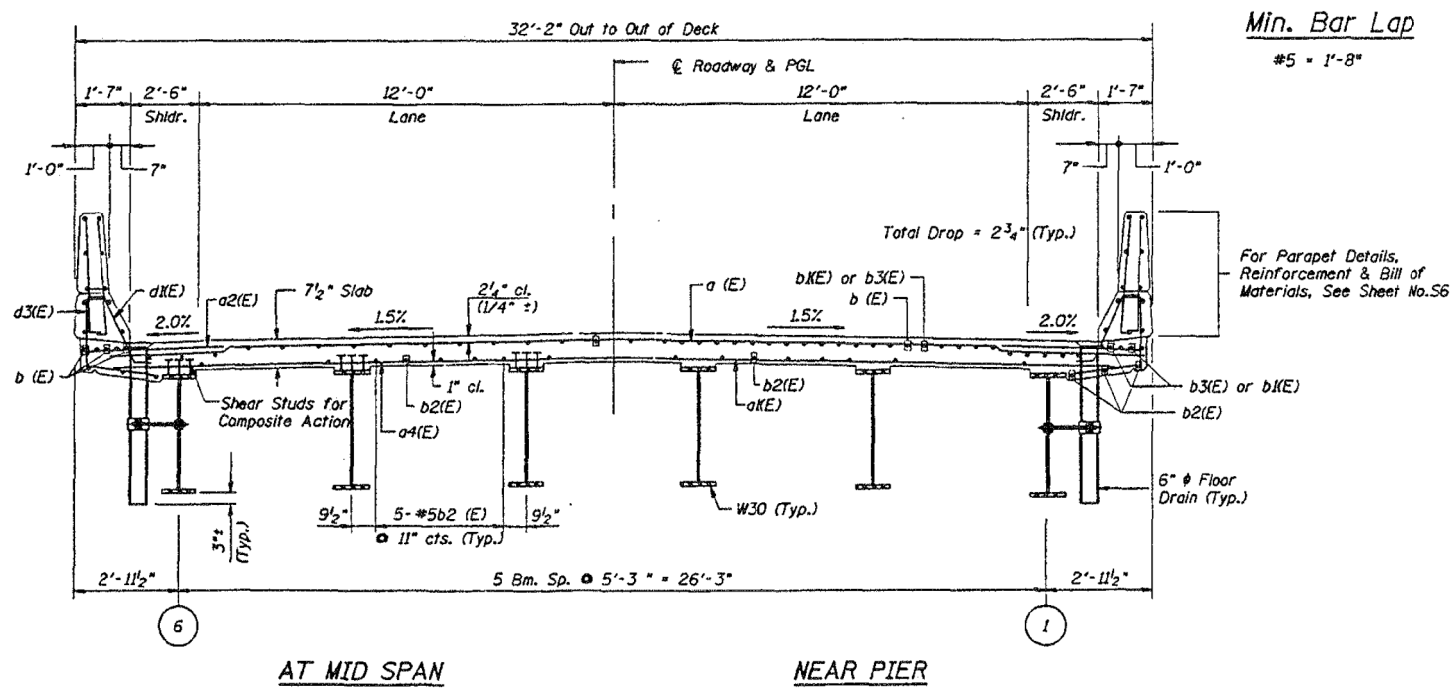


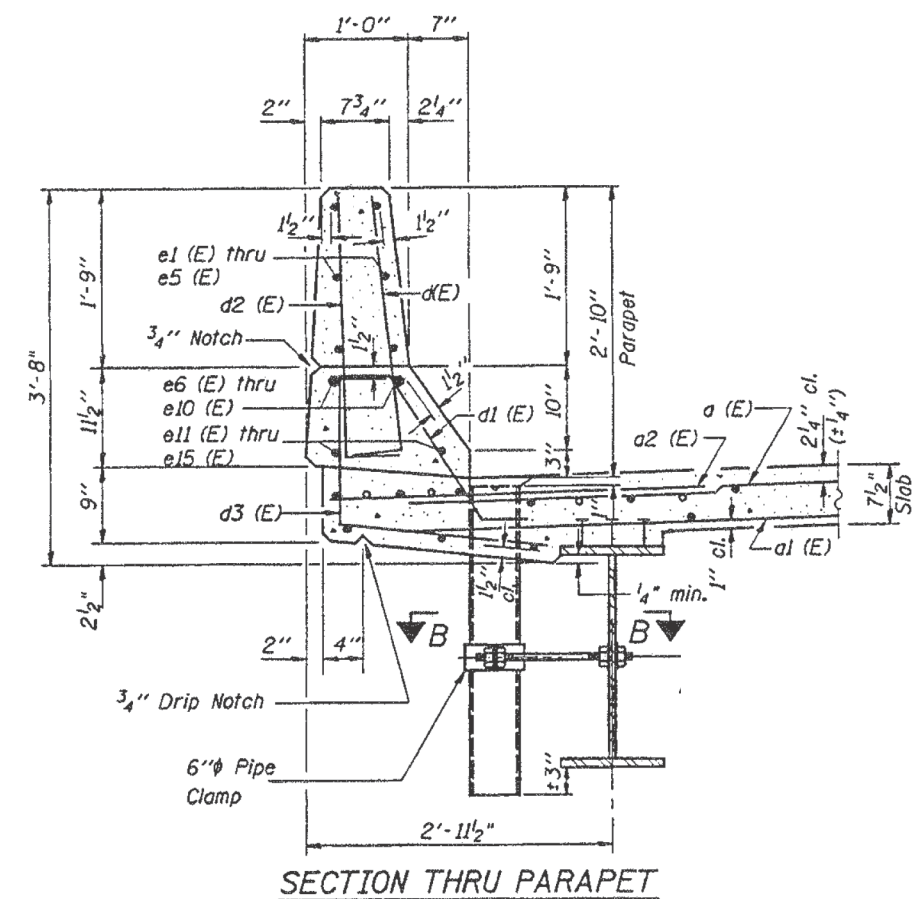
DECK PLAN



CROSS SECTION

(Looking North)
All dimensions at Rt. L.

Min. Bar Lap
#5 = 1'-8"



SECTION THRU PARAPET

FILE NAME =	USER NAME = osbornnp	DESIGNED -	REVISED -	STATE OF ILLINOIS DEPARTMENT OF TRANSPORTATION	TYPICAL CROSS SECTION & DECK PLAN VIEW LOCATION 22: SN 099-0199		RTE	SECTION	COUNTY	TOTAL SHEETS	SHEET NO.
ci:\pwwork\pido\osbornnp\d0388338\014614-sh-typical.dgn	DRAWN -	REVISED -	VARIOUS				2014-0351	WILL	50	32	
Default	PLOT SCALE = 100.0000' / 1"	CHECKED -	REVISED -		CONTRACT NO. 60Y29			ILLINOIS FED. AID PROJECT			
	PLOT DATE = 8/22/2014	DATE -	REVISED -		SCALE:	SHEET	OF	SHEETS	STA.	TO	STA.