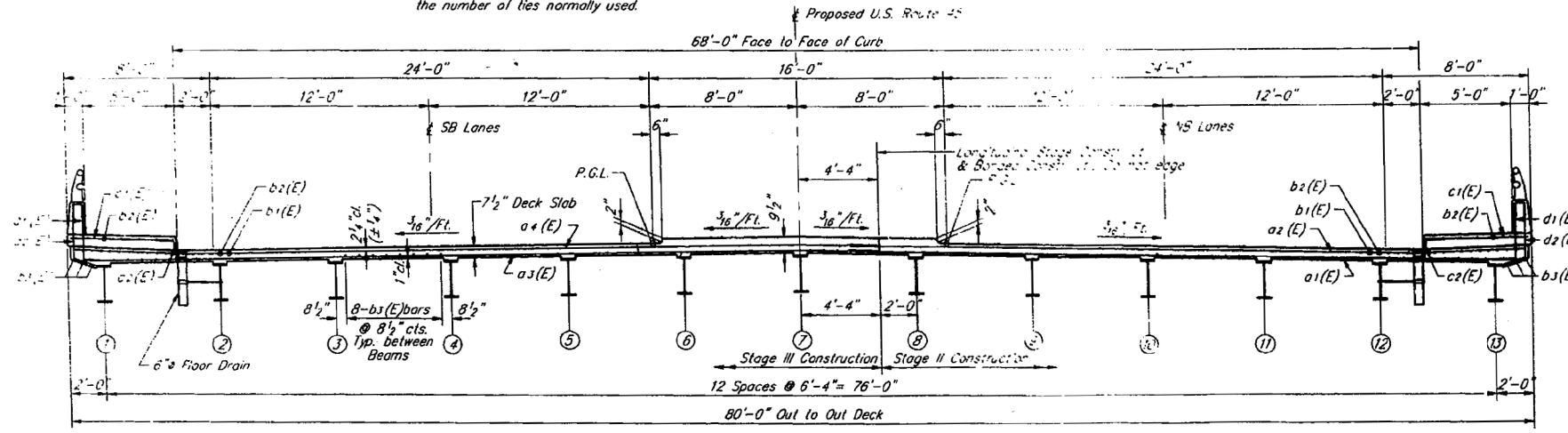
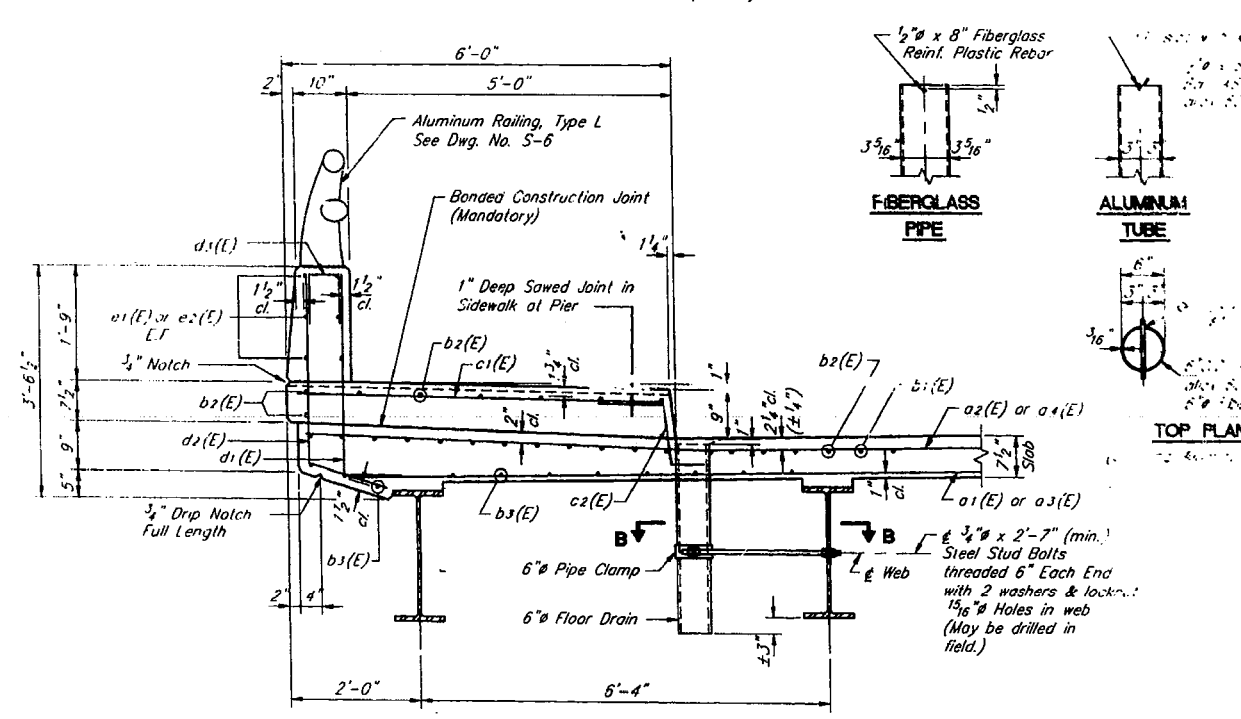


**DECK PLAN**

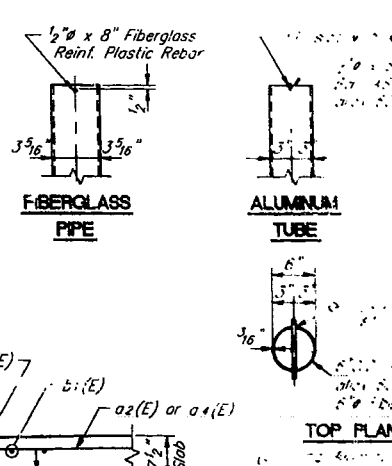
\* Lapped bars, both top and bottom, at this location shall be tied with double the number of ties normally used.



**CROSS SECTION**  
(Looking North)



**SECTION THRU SIDEWALK**



**TOP PLAN**

FILE NAME =	USER NAME = osbornnp	DESIGNED -	REVISED -	<b>STATE OF ILLINOIS DEPARTMENT OF TRANSPORTATION</b>	<b>TYPICAL CROSS SECTION &amp; DECK PLAN VIEW LOCATION 28: SN 099-0293</b>			RTE	SECTION	COUNTY	TOTAL SHEETS	SHEET NO.
Default	Plot Scale = 100.0000' / 1in.	DRAWN -	REVISED -					VARIOUS	2014-0351	WILL	50	36
	Plot Date = 8/22/2014	CHECKED -	REVISED -		SCALE: SHEET OF SHEETS STA. TO STA.			CONTRACT NO. 60Y29				
		DATE -	REVISED -		ILLINOIS FED. AID PROJECT							