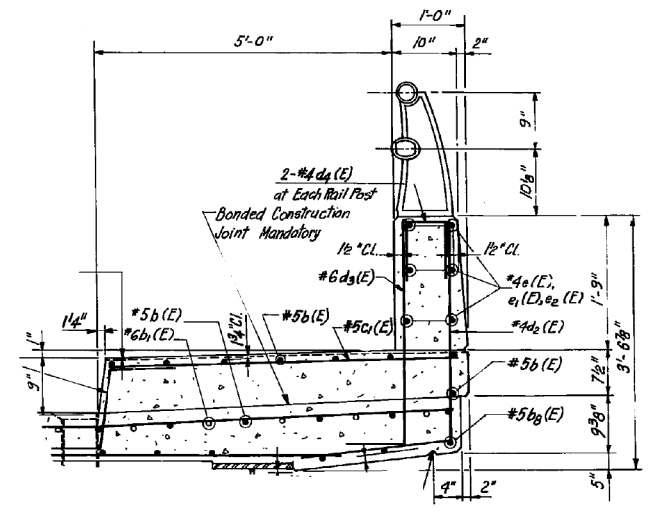
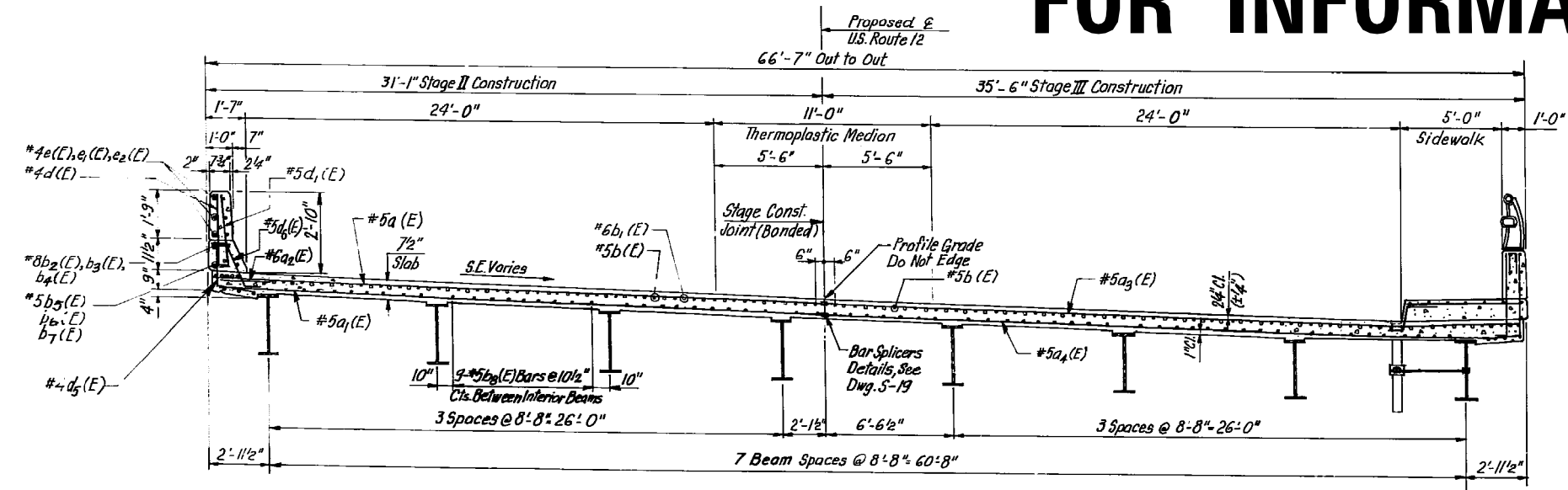


PLAN

**FOR INFORMATION ONLY**



RAILING DETAIL

FILE NAME =	USER NAME = hardnettr	DESIGNED -	REVISED -	<b>STATE OF ILLINOIS DEPARTMENT OF TRANSPORTATION</b>	<b>EXISTING PLANS LOCATION 17 (SN 049-0019)</b>			F.A.P. RTE.	SECTION	COUNTY	TOTAL SHEETS	SHEET NO.					
Default	Plot Scale = 100.0000' / in.	DRAWN -	REVISED -		SCALE:	SHEET	OF	SHEETS	STA.	TO	STA.	VAR.	2014-039I	LAKE	49	28	
	PLOT DATE = 8/11/2014	CHECKED -	REVISED -														
		DATE -	REVISED -														
												CONTRACT NO. 60Y33		ILLINOIS FED. AID PROJECT			