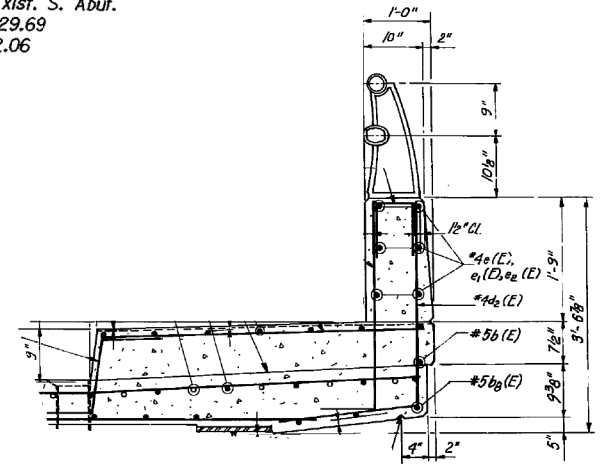
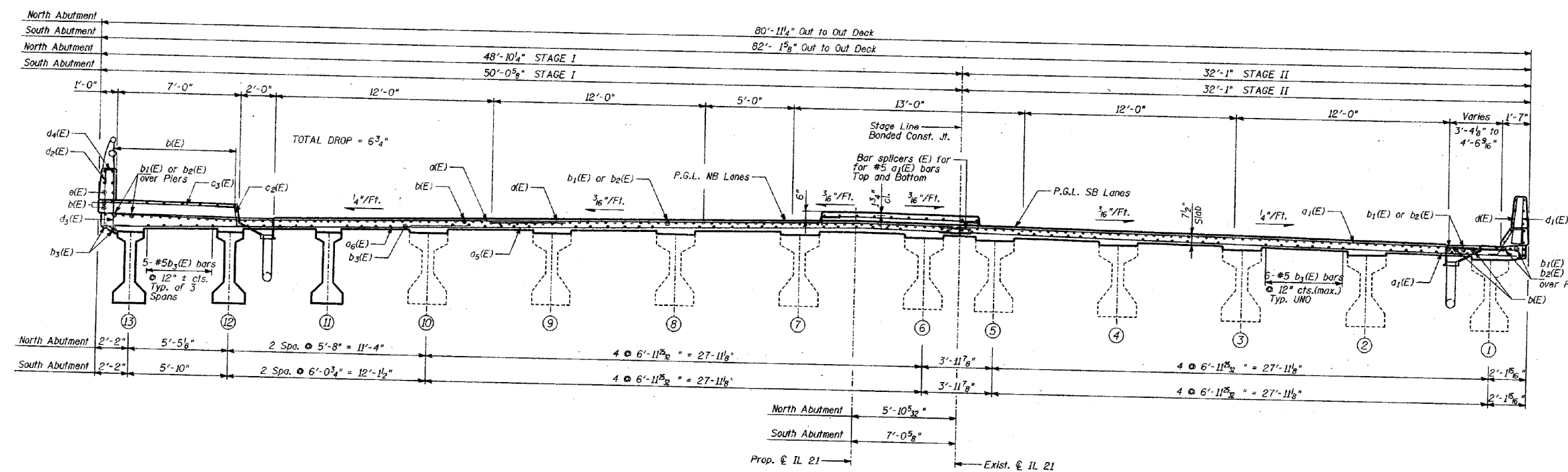


PARAPET DETAIL



RAILING DETAIL



DECK CROSS SECTION
(Looking South)

FOR INFORMATION ONLY

FILE NAME =	USER NAME = hardnettr	DESIGNED -	REVISED -	STATE OF ILLINOIS DEPARTMENT OF TRANSPORTATION	EXISTING PLANS LOCATION 34 (SN 049-9901)				F.A.P. RTE.	SECTION	COUNTY	TOTAL SHEETS	SHEET NO.		
ci:\pwork\puidot\hardnettr\d0391061\05014-sh1-plan.dgn		DRAWN -	REVISED -		SCALE:	SHEET	OF	SHEETS	STA.	TO STA.	VAR.	2014-0391	LAKE	49	45
Default	PLOT SCALE = 100.0000' / 1in.	CHECKED -	REVISED -										CONTRACT NO.	60Y33	
	PLOT DATE = 8/12/2014	DATE -	REVISED -										ILLINOIS FED. AID PROJECT		