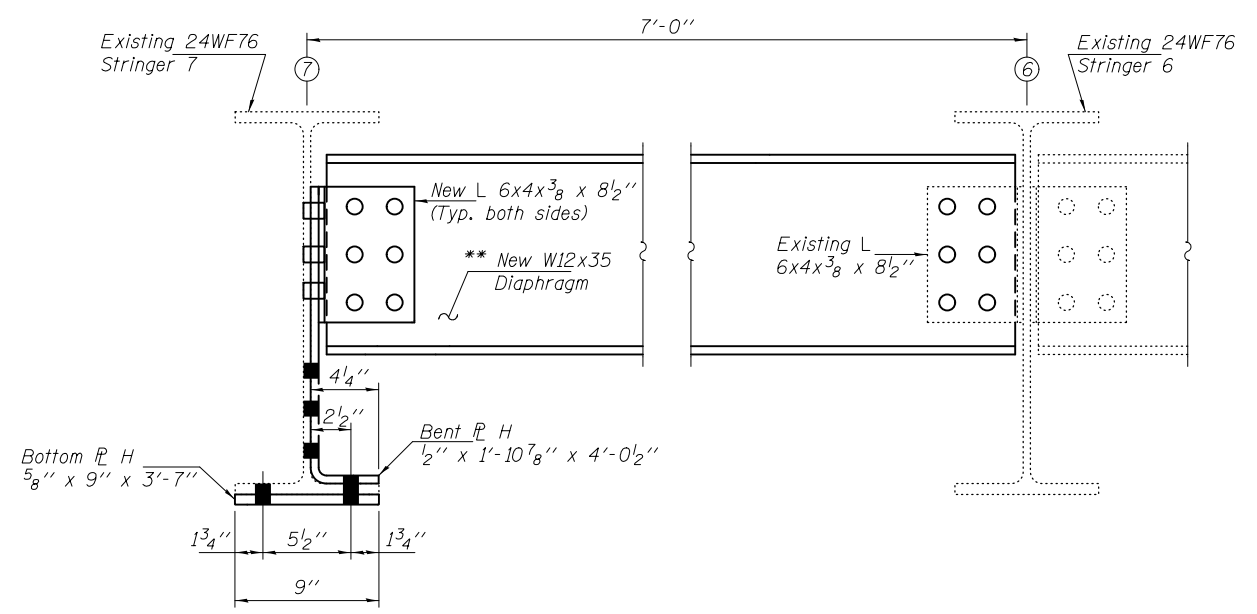


**REPAIR 225 & 273 ELEVATION**

(Looking South)  
 Item 225 - Stringer Repair  
 Item 273 - Diaphragm Replacement

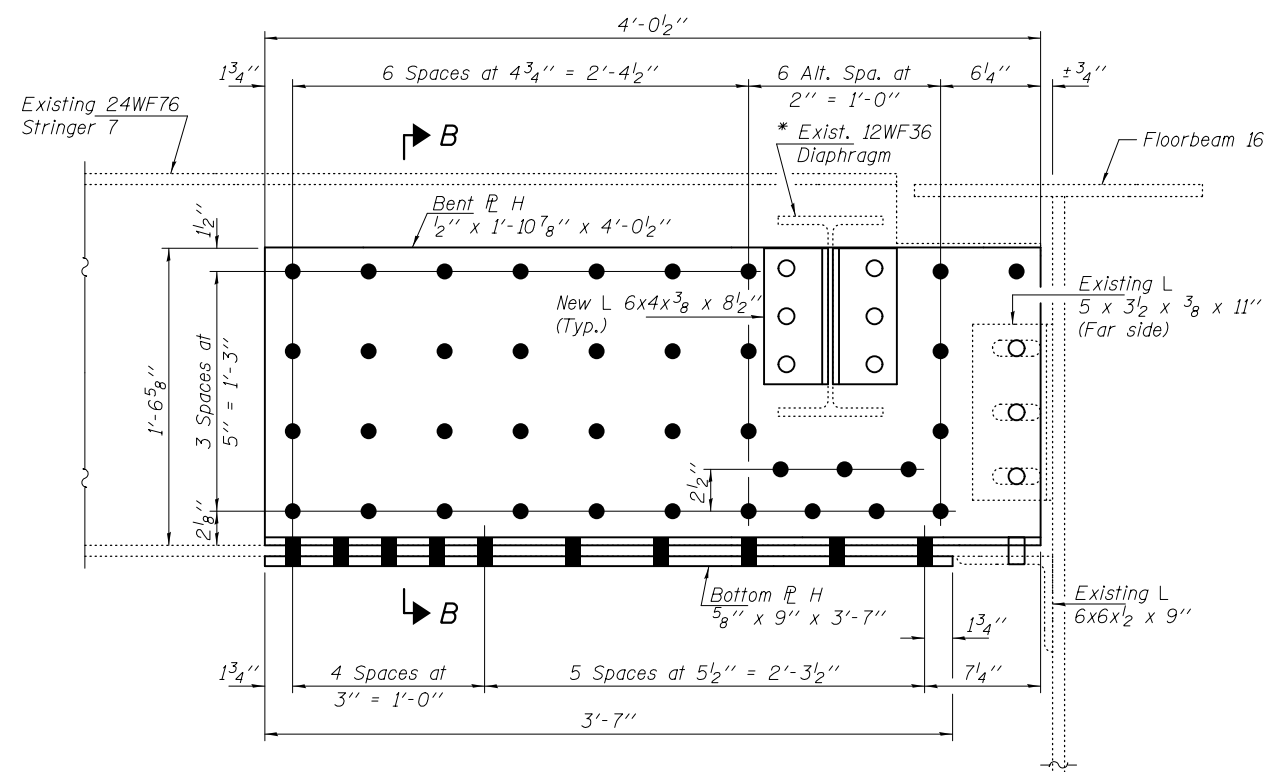


**SECTION A-A**

\* Trim diaphragm only as required to facilitate installation of Bent P.  
 \*\* Contractor shall field verify diaphragm length. All holes in new diaphragm to be field drilled.

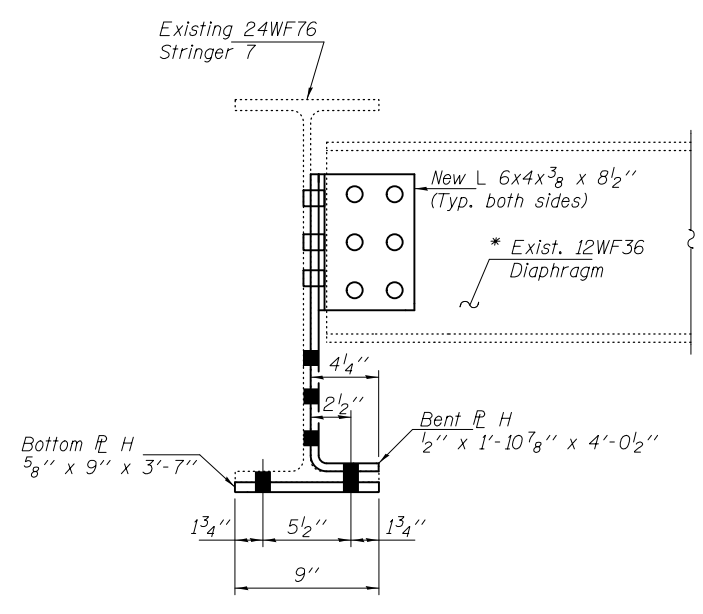
**BOLT HOLE LEGEND**

- - Use holes in new steel as template
- - Use holes in existing steel as template



**REPAIR 277 ELEVATION**

(Looking South)



**SECTION B-B**

DESIGNED - GGE	EXAMINED - <i>Timothy A. Daulton</i>	DATE - OCTOBER 17, 2014
CHECKED - TLC	ACTING ENGINEER OF STRUCTURAL SERVICES	
DRAWN - Kyle M. Steffen/balva	PASSED - <i>Carl Berger</i>	
CHECKED - GGE TLC	ACTING ENGINEER OF BRIDGES AND STRUCTURES	

**STATE OF ILLINOIS  
 DEPARTMENT OF TRANSPORTATION**

**REPAIR DETAIL 225, 273 & 277  
 SN 099-0057**

SHEET NO. 17 OF 24 SHEETS

F.A.I. RTE.	SECTION	COUNTY	TOTAL SHEETS	SHEET NO.
80	99-3-BR-2	WILL	57	20
CONTRACT NO. 60Y64			ILLINOIS FED. AID PROJECT	