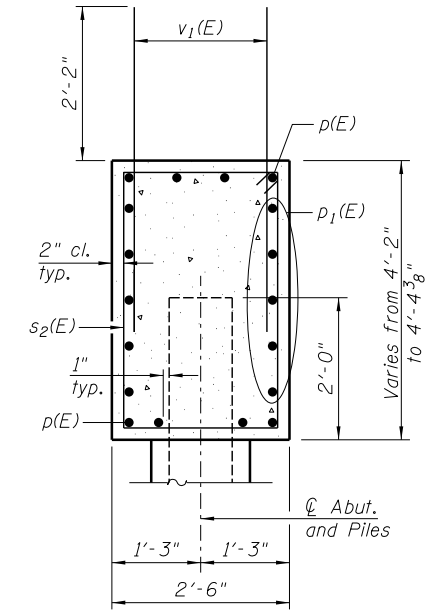
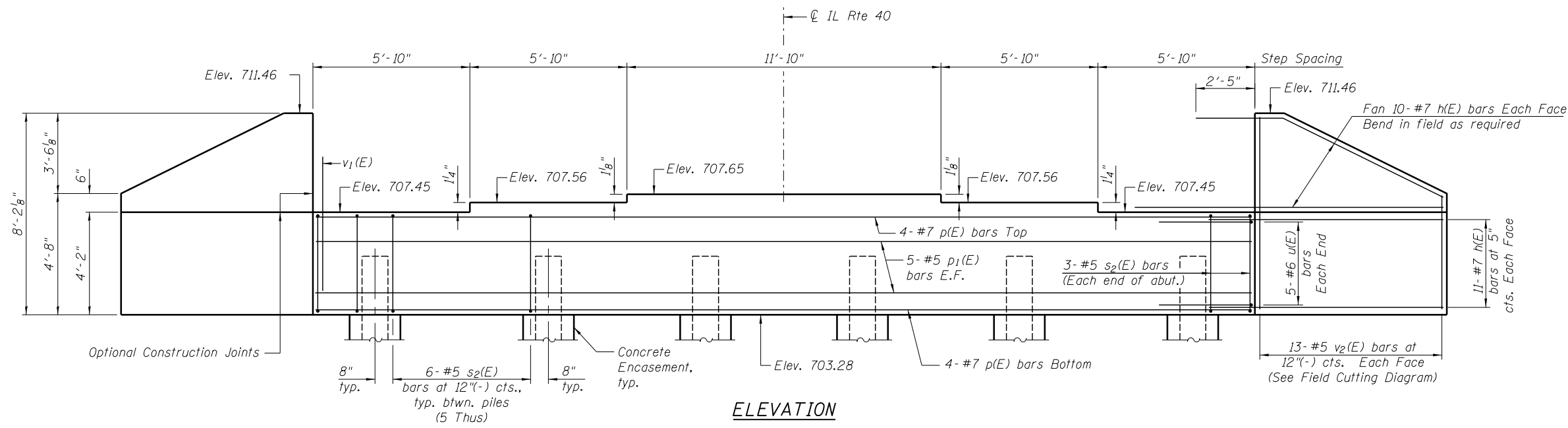


Notes:
Pour steps monolithically with cap.



SEC. THRU ABUT.

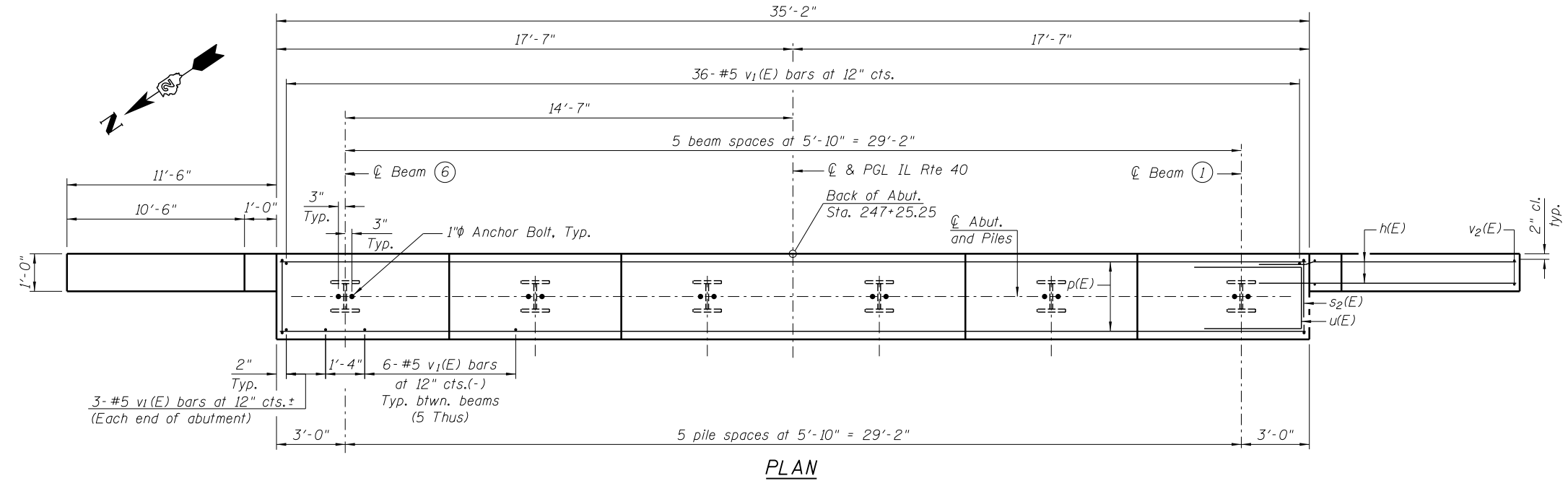
BILL OF MATERIAL

Bar	No.	Size	Length	Shape
h(E)	84	#7	14'-7"	—
p(E)	8	#7	34'-10"	—
p ₁ (E)	10	#5	34'-10"	—
s ₂ (E)	36	#5	12'-11"	□
u(E)	10	#6	12'-5"	⊏
v ₁ (E)	72	#5	4'-4"	—
v ₂ (E)	26	#5	12'-3"	—
Structure Excavation			Cu. Yd.	68
Concrete Structures			Cu. Yd.	19.4
Concrete Encasement			Cu. Yd.	2.0
Reinforcement Bars, Epoxy Coated			Pound	4,770
Furnishing Steel Piles, HP 12x53			Foot	150
Driving Piles			Foot	150
Pile Shoes			Each	6
Test Pile Steel, HP 12x53			Each	1

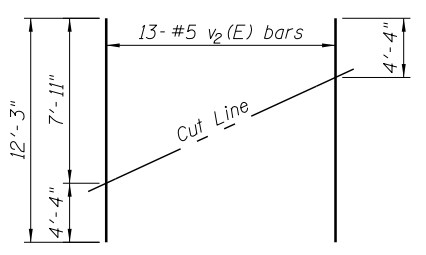
For details of HP piles, see sheet 18 of 19.

Space reinforcement in cap to miss anchor bolts.

For Section Thru Abutment showing drainage, see sheet 2 of 19.

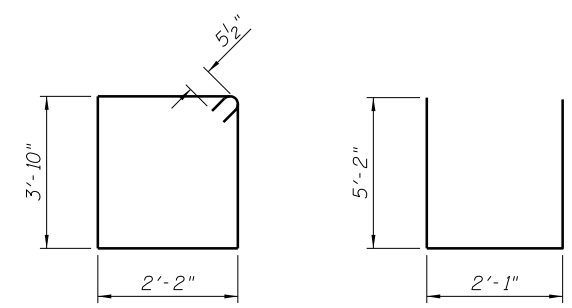


PLAN



FIELD CUTTING DIAGRAM

Order v₂(E) full length. Cut as shown and use remainder of bars in opposite face.



BAR s₂(E)

BAR u(E)

PILE DATA

Type: HP 12x53 with pile shoes
 Nominal Required Bearing: 419k
 Factored Resistance Available: 230k
 Est. Length: 30.0 ft.
 No. Production Piles: 5
 No. Test Piles: 1

AI-0 7-1-10



USER NAME = SAW	DESIGNED - PMM	REVISED -
PLOT SCALE = 0:2.0000 '1' / in.	CHECKED - DAZ	REVISED -
PLOT DATE = 10/7/2013	DRAWN - SAW	REVISED -
	CHECKED - PMM	REVISED -

**STATE OF ILLINOIS
DEPARTMENT OF TRANSPORTATION**

**EAST ABUTMENT
S.N. 008-0051**

SHEET NO. 15 OF 19 SHEETS

F.A.P. RTE.	SECTION	COUNTY	TOTAL SHEETS	SHEET NO.
646	5BR-3	CARROLL	84	38
			CONTRACT NO. 64DB4	
ILLINOIS FED. AID PROJECT				

FILE NAME = ...64DB4-SN0080051-015-EastAbut.dgn