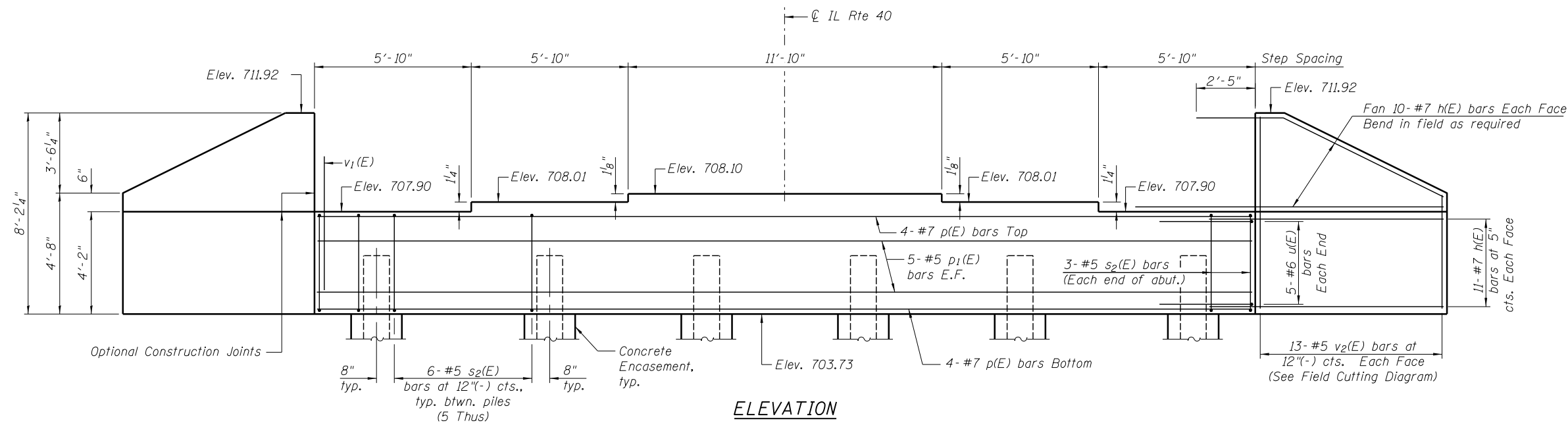
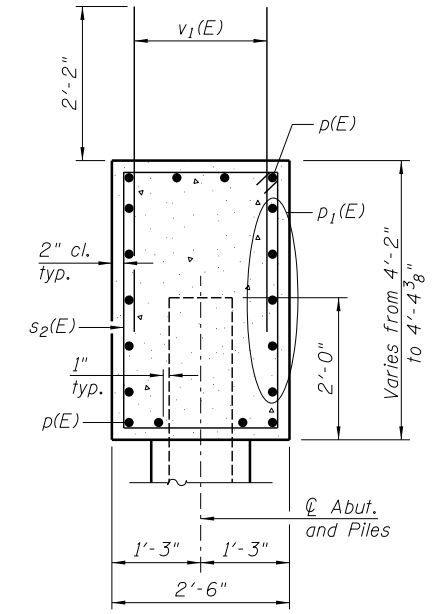


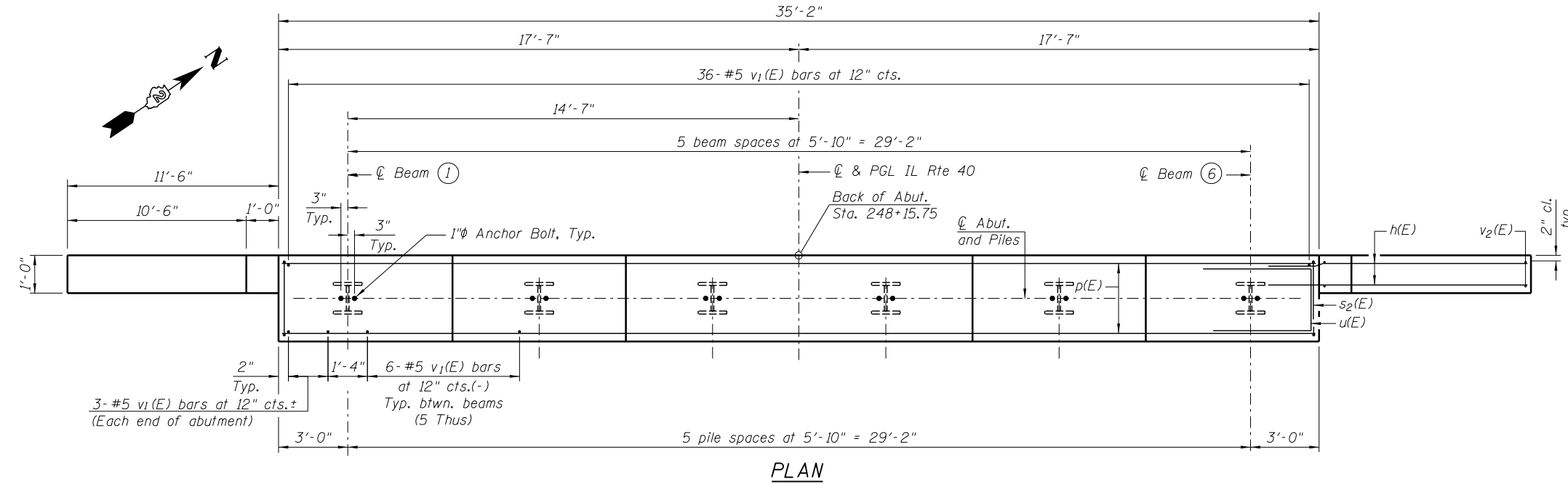
Notes:
Pour steps monolithically with cap.



ELEVATION



SEC. THRU ABUT.



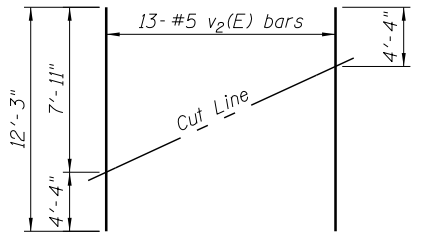
PLAN

BILL OF MATERIAL

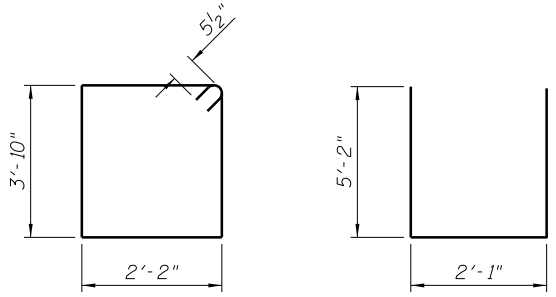
Bar	No.	Size	Length	Shape
h(E)	84	#7	14'-7"	—
p(E)	8	#7	34'-10"	—
p1(E)	10	#5	34'-10"	—
s2(E)	36	#5	12'-11"	□
u(E)	10	#6	12'-5"	└┘
v1(E)	72	#5	4'-4"	—
v2(E)	26	#5	12'-3"	—
Structure Excavation			Cu. Yd.	52
Concrete Structures			Cu. Yd.	18.7
Concrete Encasement			Cu. Yd.	2.0
Reinforcement Bars, Epoxy Coated			Pound	4,770
Furnishing Steel Piles, HP 12x53			Foot	125
Driving Piles			Foot	125
Pile Shoes			Each	6
Test Pile Steel, HP 12x53			Each	1

For details of HP piles, see sheet 18 of 19.
Space reinforcement in cap to miss anchor bolts.
For Section Thru Abutment showing drainage, see sheet 2 of 19.

PILE DATA
Type: HP 12x53 with pile shoes
Nominal Required Bearing: 419k
Factored Resistance Available: 230k
Est. Length: 25.0 ft.
No. Production Piles: 5
No. Test Piles: 1



FIELD CUTTING DIAGRAM



BAR s2(E) **BAR u(E)**

FILE NAME = ...E4DB4-SN0080051-016-WestAbut.dgn

AI-0 7-1-10



USER NAME = SAW	DESIGNED - PMM	REVISED -
PLOT SCALE = 0:2.0000 '1' / in.	CHECKED - DAZ	REVISED -
PLOT DATE = 10/7/2013	DRAWN - SAW	REVISED -
	CHECKED - PMM	REVISED -

STATE OF ILLINOIS
DEPARTMENT OF TRANSPORTATION

WEST ABUTMENT
S.N. 008-0051

SHEET NO. 16 OF 19 SHEETS

F.A.P. RTE.	SECTION	COUNTY	TOTAL SHEETS	SHEET NO.
646	5BR-3	CARROLL	84	39
CONTRACT NO. 64DB4				
ILLINOIS FED. AID PROJECT				