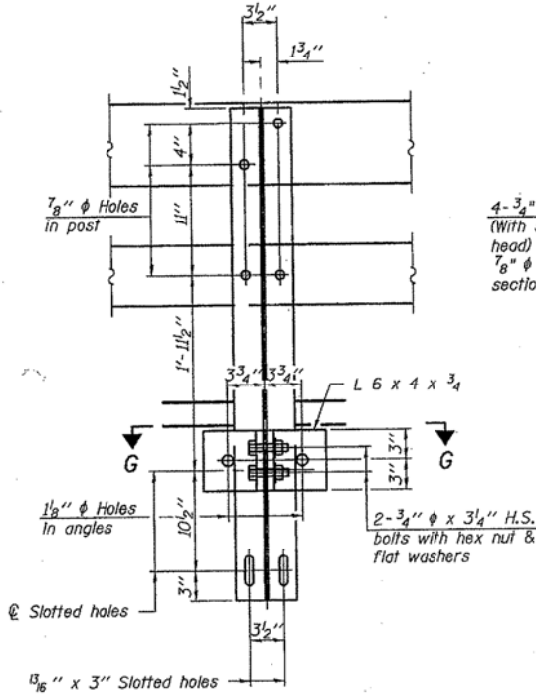
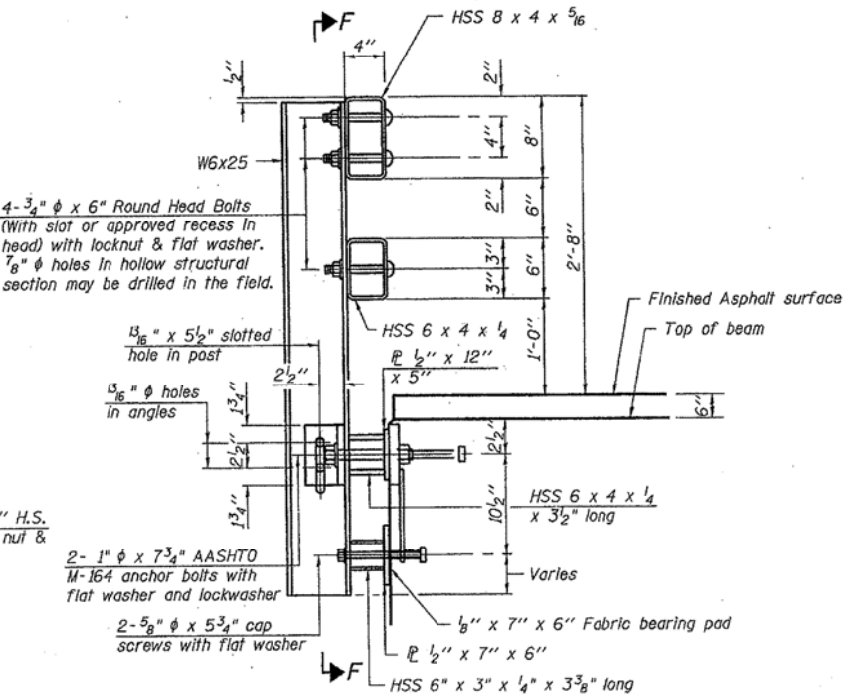


STATE OF ILLINOIS  
DEPARTMENT OF TRANSPORTATION

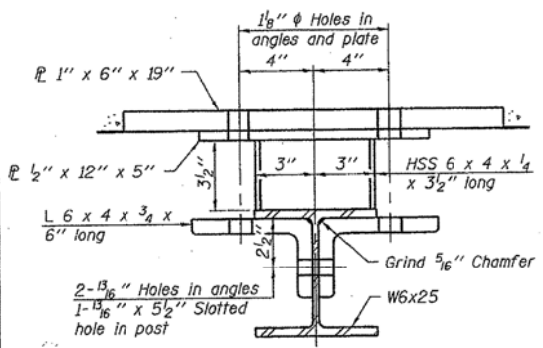
FIGURE NO.	SECTION	COUNTY	SHEETS	SHEET NO.
FAP 646		CARROLL	19	8 SHEETS
FED. ROAD DIST. NO. 7	ALLIANCE	FED. AID PROJECT		



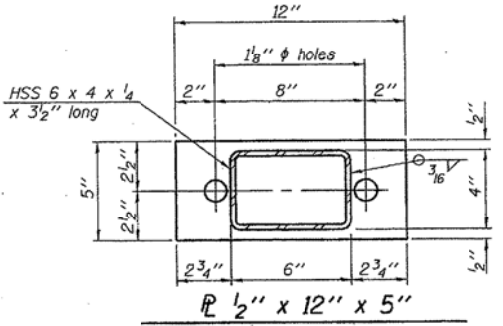
SECTION F-F



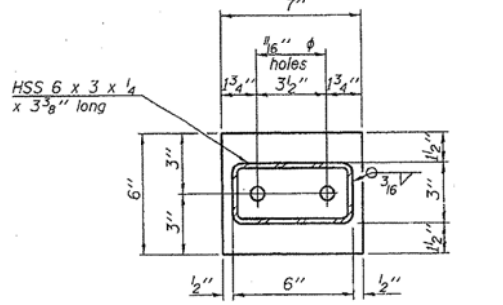
SECTION AT RAIL POST ON APPROACH SLAB



SECTION G-G

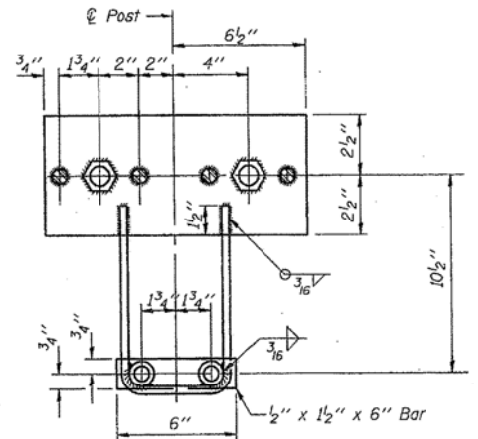


PL 1/2" x 12" x 5"



PL 1/2" x 7" x 6"

(6'-3" Maximum Post Spacing) (5" minimum to 7 1/8" maximum CWS thickness)



EXISTING ANCHOR DEVICE IN APPROACH

\* Threaded areas shall be plugged or blocked off during casting of beam. Galvanized after fabrication.

See Sheet 7 of 8 for additional details and notes.

STEEL RAILING, TYPE SM  
ON APPROACH SLAB  
F.A.P. 646 (IL RTE 40)  
CARROLL COUNTY  
STRUCTURE NO. 008-0014

SHEET 19 OF 52

DESIGNED	DFM
CHECKED	CH
DRAWN	MV
CHECKED	DFM

FILE NAME = ... \D264DB4-SHT-ExB-ridge.dgn

USER NAME = SAW  
PLOT SCALE = 40.0000' / in.  
PLOT DATE = 8/1/2013

DESIGNED - RAC  
DRAWN - SAW  
CHECKED - DAZ  
DATE - 08-08-13

REVISED -  
REVISED -  
REVISED -  
REVISED -

STATE OF ILLINOIS  
DEPARTMENT OF TRANSPORTATION

ZROKA  
engineering  
Zroka Engineering, P.C.  
4216 North Hermitage  
Chicago, IL 60613

EXISTING BRIDGE PLANS  
FOR INFORMATION ONLY

SCALE: SHEET 5 OF 28 SHEETS STA. TO STA.

F.A.P. RTE.	SECTION	COUNTY	TOTAL SHEETS	SHEET NO.
646	5 BR-3	CARROLL	84	47
			CONTRACT NO. 64DB4	
ILLINOIS FED. AID PROJECT				