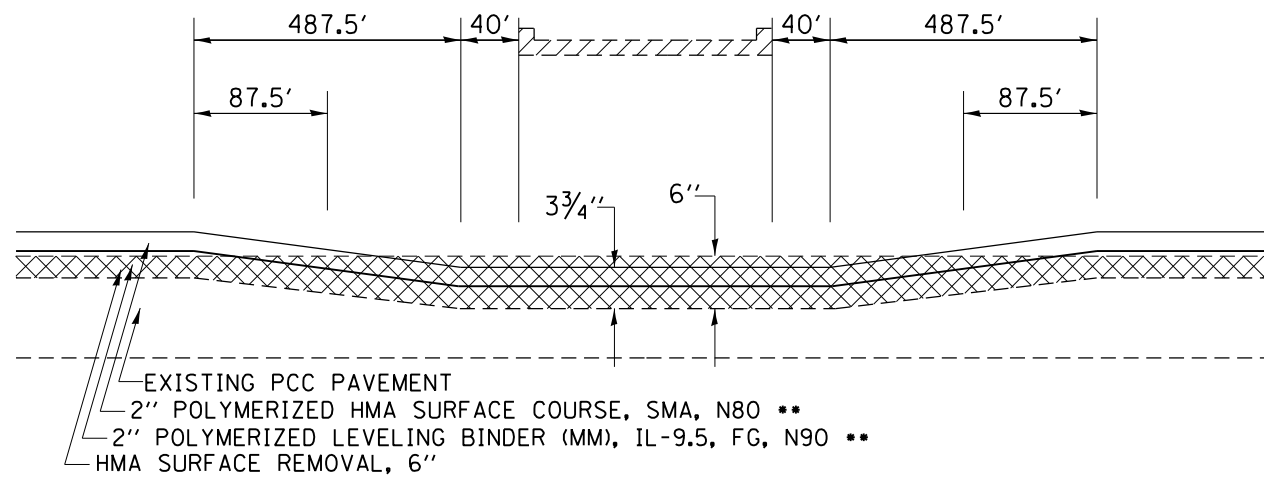


TYPICAL SECTIONS

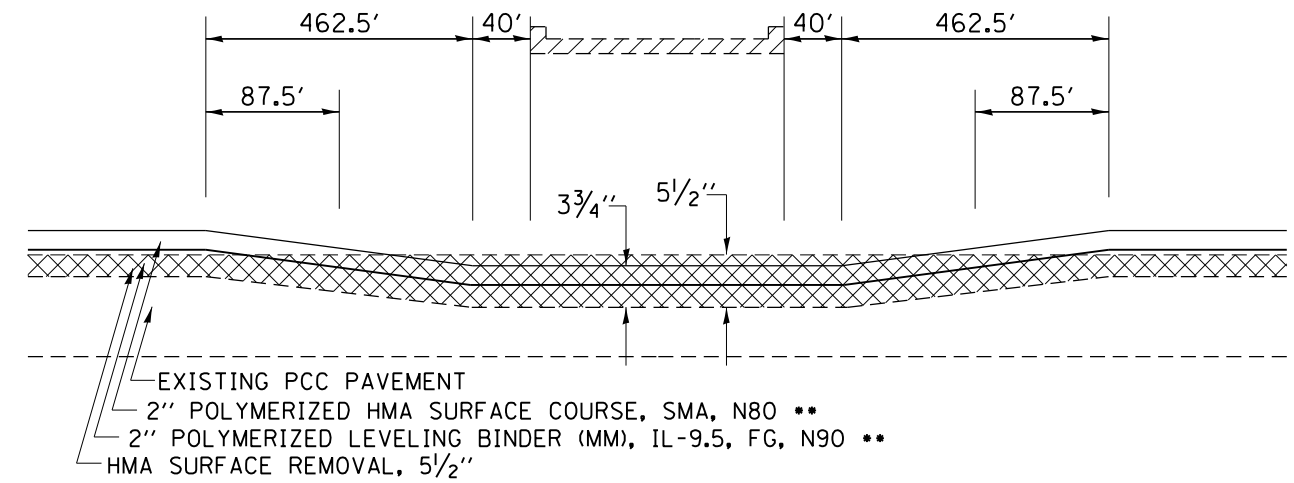
TYPICAL TAPER

STA 783+67 - 788+54 WB
 STA 789+64 - 794+52 WB
 STA 836+54 - 841+42 EB
 STA 842+52 - 847+39 EB



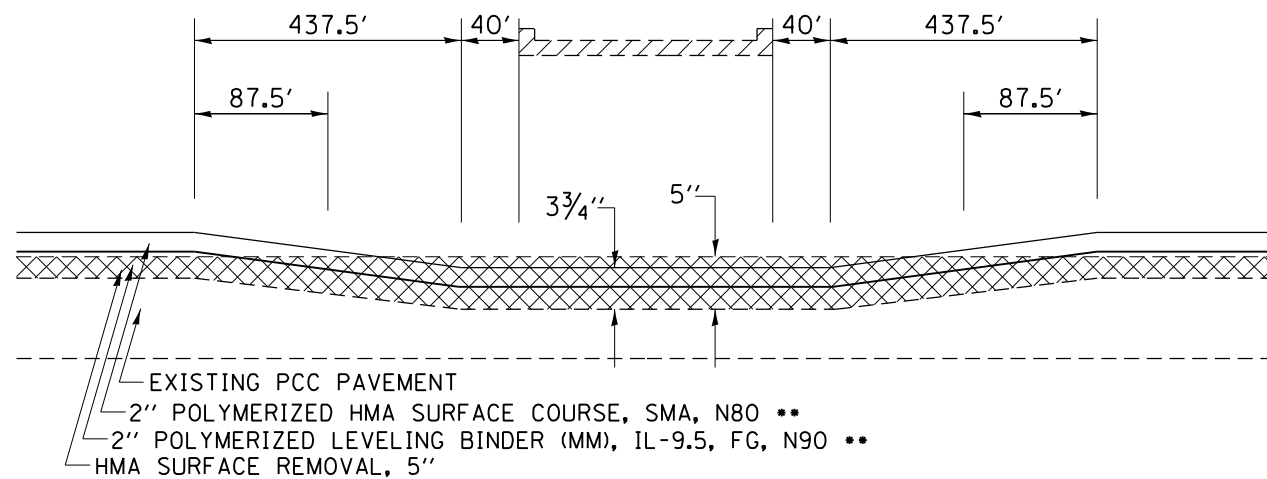
TYPICAL TAPER

STA 836+79 - 841+42 WB
 STA 842+52 - 847+14 WB



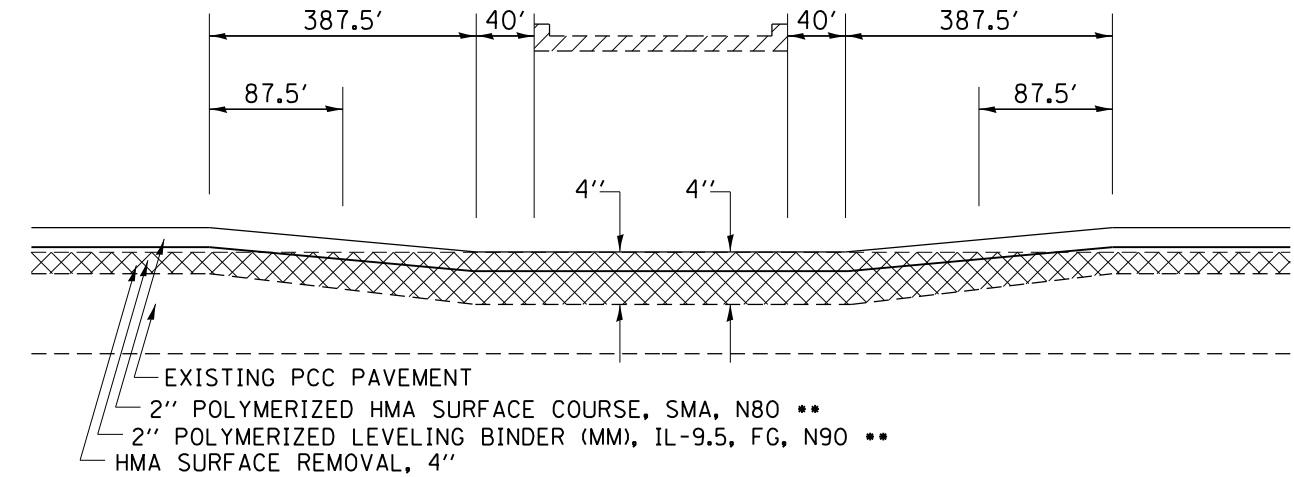
TYPICAL TAPER

STA 970+97 - 975+34 WB
 STA 976+44 - 980+82 WB



TYPICAL TAPER

STA 784+67 - 788+54 EB
 STA 789+64 - 793+52 EB
 STA 971+47 - 975+34 EB
 STA 976+44 - 980+32 EB



** HMA - 112 LB./SQ. YD./IN

FILE NAME =	USER NAME = grantpm	DESIGNED -	REVISED -
c:\pwork\pwork\grantpm\d0340191\200811-sh-typical.dgn		DRAWN -	REVISED -
Default	PLOT SCALE = 100.000' / in.	CHECKED -	REVISED -
	PLOT DATE = Tue Aug 19 14:55:52 2014	DATE -	REVISED -

STATE OF ILLINOIS
 DEPARTMENT OF TRANSPORTATION

TYPICAL SECTIONS

SCALE: SHEET OF SHEETS STA. TO STA.

F.A.I. RTE.	SECTION	COUNTY	TOTAL SHEETS	SHEET NO.
80	(37-2.3) RS-3	HENRY	50	15
CONTRACT NO. 64663			ILLINOIS FED. AID PROJECT	