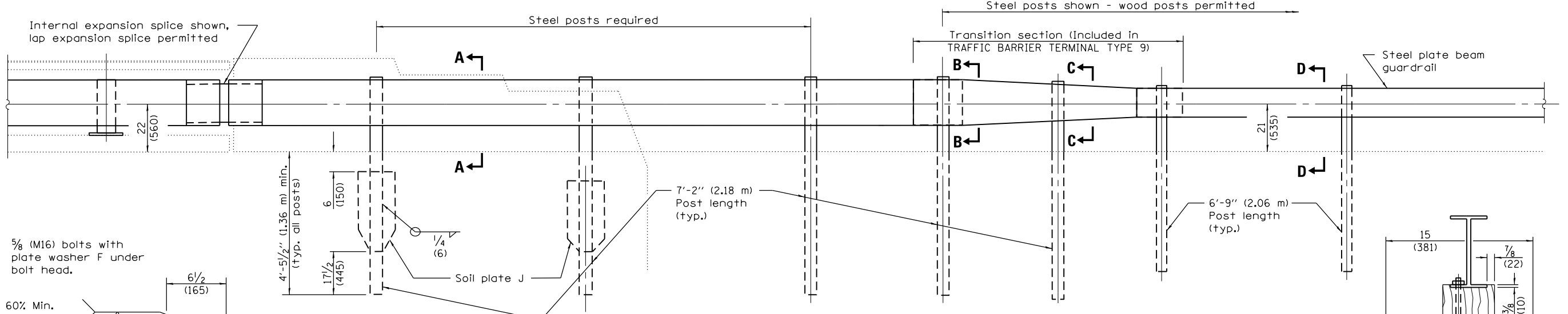
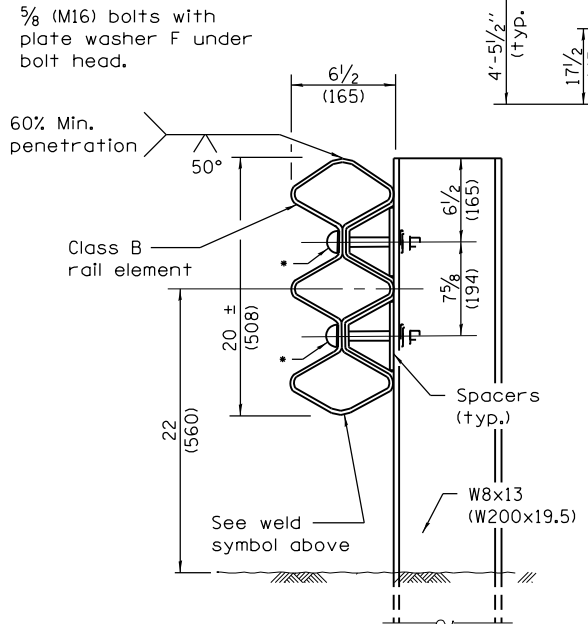


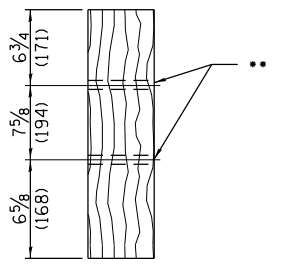
PLAN
(Bridge with expansion joint shown)



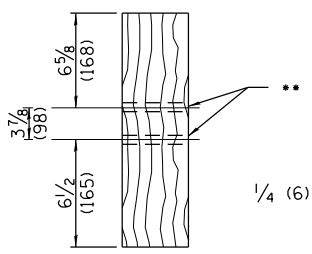
ELEVATION



SECTION A-A



SECTION B-B



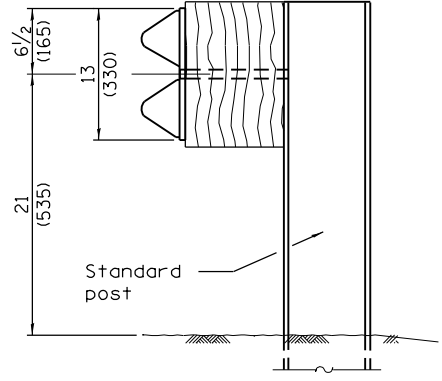
SECTION C-C

DETAILS of BLOCK-OUTS

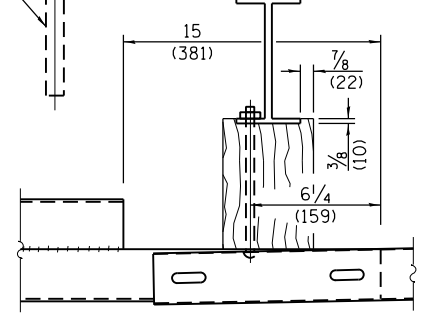
•• \varnothing 3/4 (19) Dia. hole

4-3/4 (19) Dia. holes with 5/8 (M16) hex head bolts with std. hex nut (typ.)

SOIL PLATE J & ALTERNATE CONNECTION DETAILS



SECTION D-D



DETAIL A

GENERAL NOTES

See Standards 509001 and 630001 for details of guardrail elements not shown.

The Type 9 terminal shall be installed after the posts for the bridge retrofit rail have been located as shown on Standard 509001.

All dimensions are in inches (millimeters) unless otherwise shown.

FILE NAME =	USER NAME = grantpm	DESIGNED -	REVISED -
ca:\pwork\pwork\grantpm\d0340191\200411-shd-details.dgn		DRAWN -	REVISED -
Default	PLOT SCALE = 100.000 / in.	CHECKED -	REVISED -
	PLOT DATE = Tue Aug 19 14:48:21 2014	DATE -	REVISED -

**STATE OF ILLINOIS
DEPARTMENT OF TRANSPORTATION**

TRAFFIC BARRIER TERMINAL TY 9 DETAIL

SCALE: SHEET OF SHEETS STA. TO STA.

F.A.I. RTE.	SECTION	COUNTY	TOTAL SHEETS	SHEET NO.
80	(37-2,3) RS-3	HENRY	50	35
CONTRACT NO. 64G63			ILLINOIS FED. AID PROJECT	