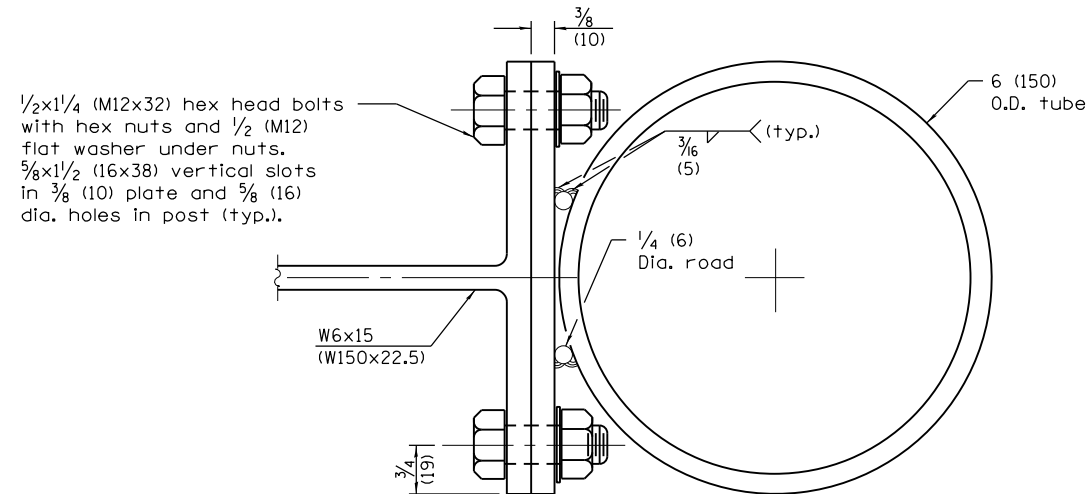
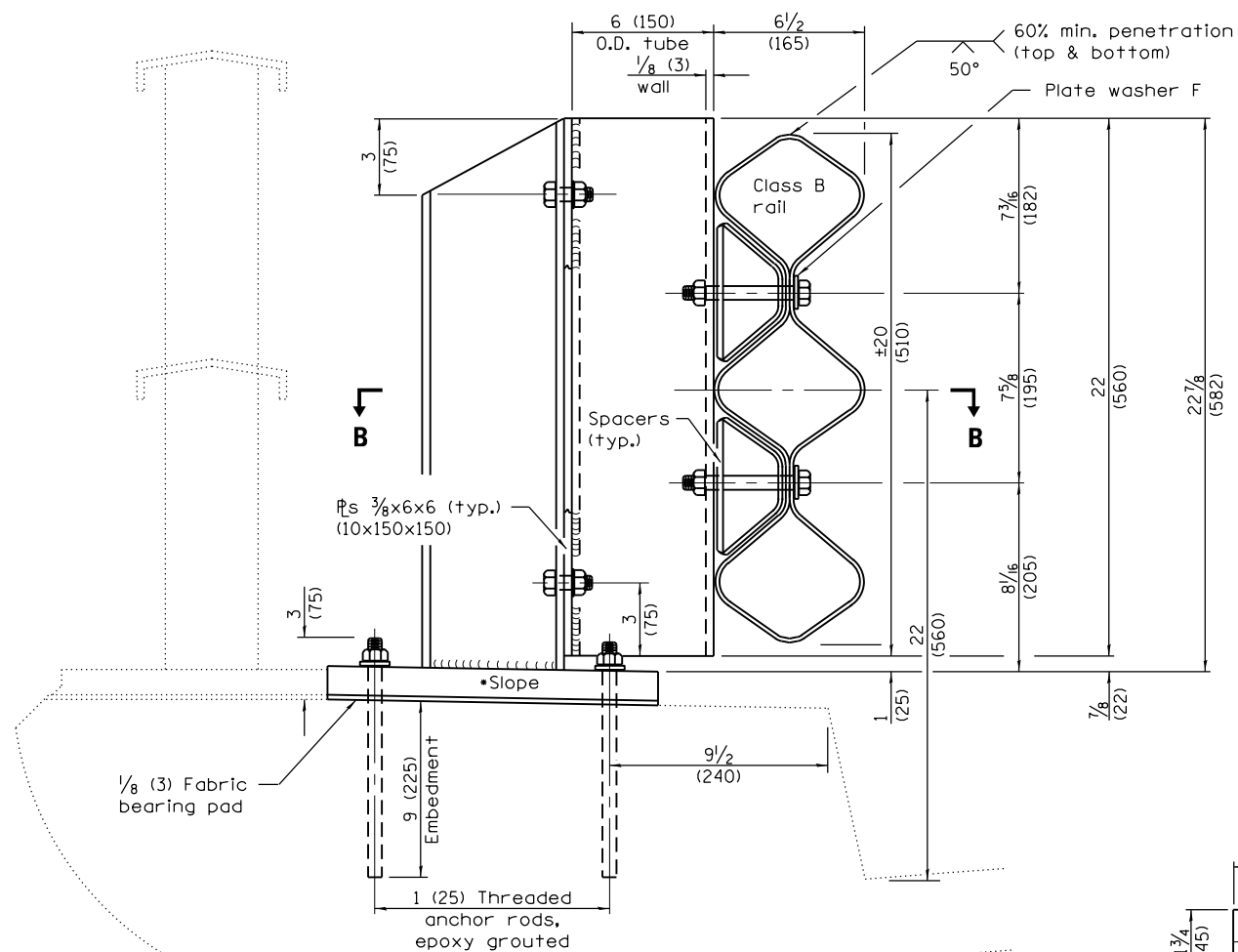


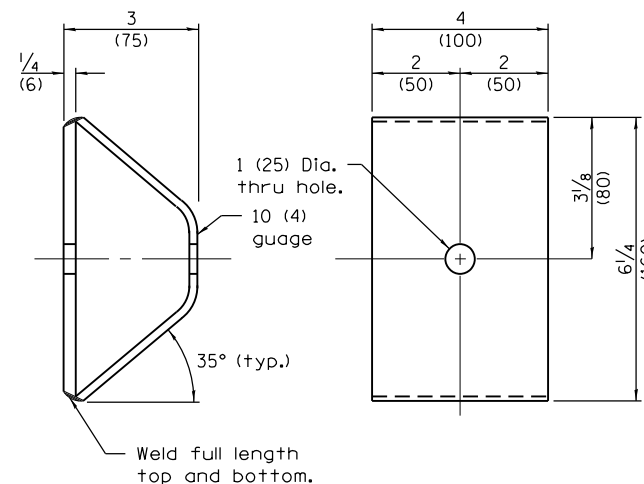
SECTION B-B



TUBE TO POST ATTACHMENT



POST



SPACER

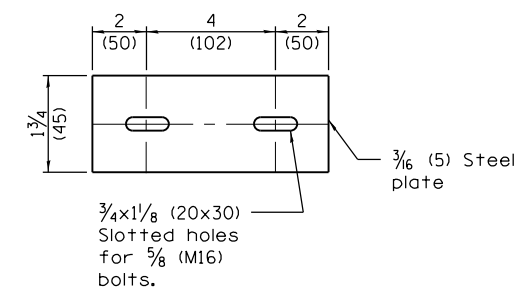


PLATE WASHER B

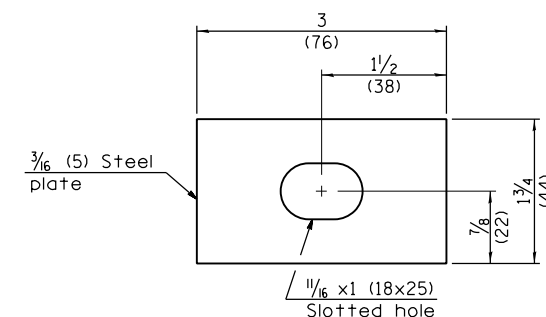


PLATE WASHER F

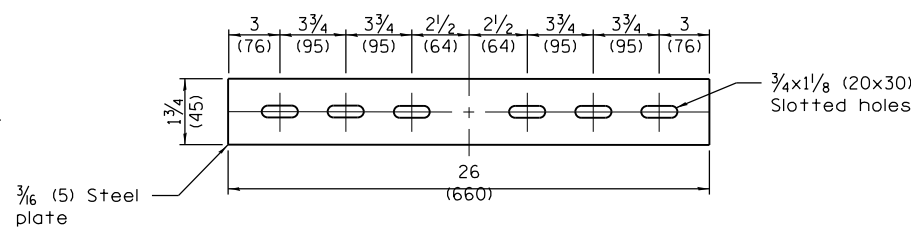
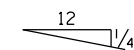


PLATE WASHER C



• Cut bottom of post to slope

(Sheet 3 of 3)

FILE NAME =	USER NAME = grantpm	DESIGNED -	REVISED -	STATE OF ILLINOIS DEPARTMENT OF TRANSPORTATION	TUBULAR THRIE BEAM RETROFIT RAIL FOR BRIDGES DETAIL			F.A.I. R.T.E.	SECTION	COUNTY	TOTAL SHEETS	SHEET NO.
Default	Plot Scale = 100.000 / in.	DRAWN -	REVISED -					80	(37-2,3) RS-3	HENRY	50	38
	PLOT DATE = Tue Aug 19 14:58:31 2014	CHECKED -	REVISED -					CONTRACT NO. 64G63				
		DATE -	REVISED -					ILLINOIS FED. AID PROJECT				