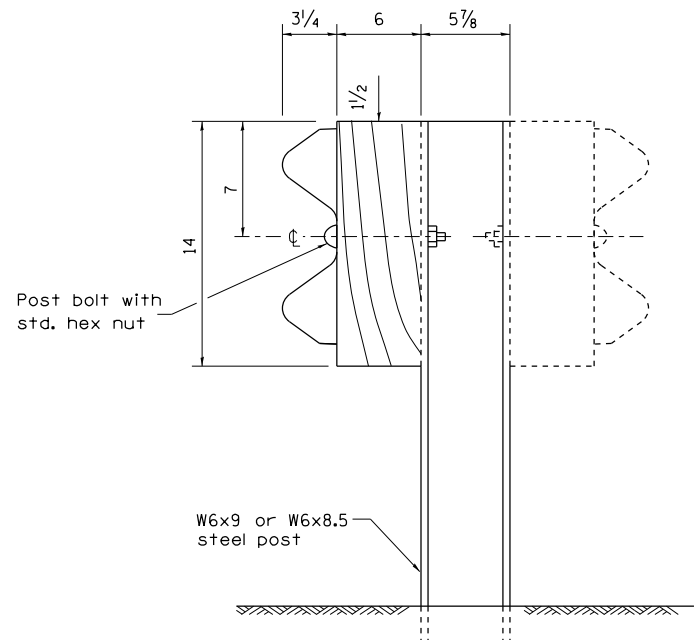
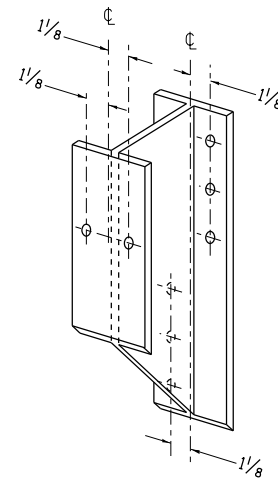


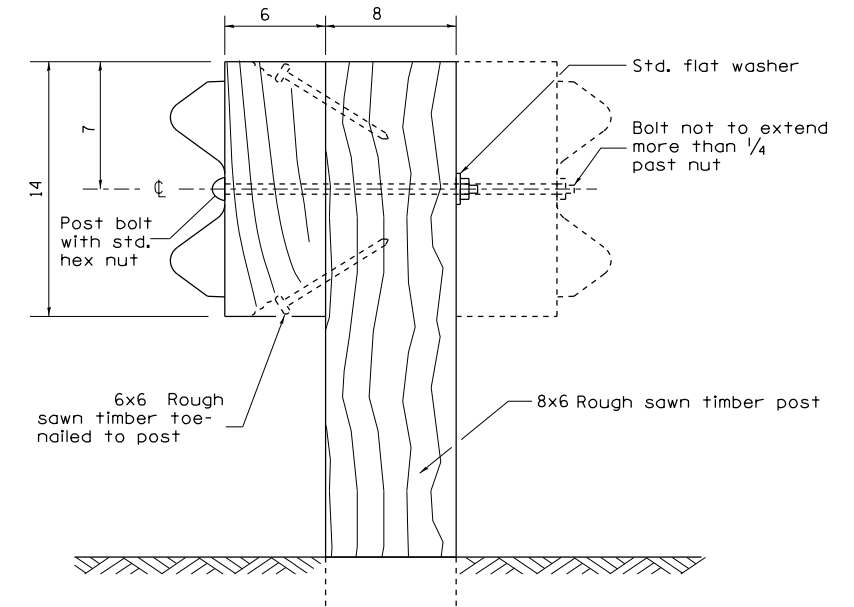
# REMOVE AND REERECT STEEL PLATE BEAM GUARDRAIL



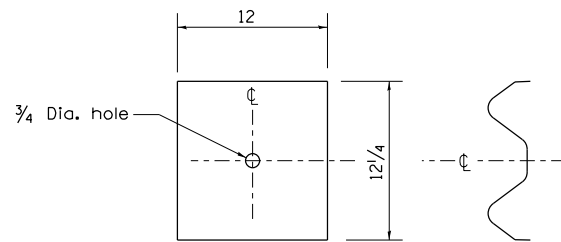
STEEL POST CONSTRUCTION



STEEL BLOCK-OUT DETAIL



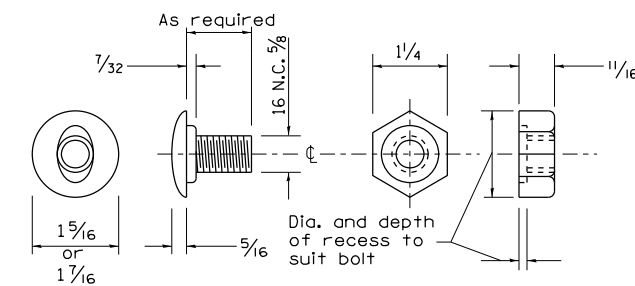
WOOD POST CONSTRUCTION



NOTE

Plate A shall be placed between rail element and block-out at non-splice mounting points only when steel block-outs are used.

PLATE A



POST OR SPLICE BOLT & NUT

FILE NAME =	USER NAME = grantpm	DESIGNED -	REVISED - 10-18-11
ca:\pwork\pwork\grantpm\d0340191\200811-shd-details.dgn		DRAWN -	REVISED -
	PLOT SCALE = 100.000 / in.	CHECKED -	REVISED -
	PLOT DATE = Tue Aug 19 14:52:56 2014	DATE -	REVISED -

STATE OF ILLINOIS  
DEPARTMENT OF TRANSPORTATION

REGION 2 / DISTRICT 2 STANDARD

SCALE: SHEET NO. OF SHEETS STA. TO STA.

F.A.I. RTE.	SECTION	COUNTY	TOTAL SHEETS	SHEET NO.
80	(37-2,3) RS-3	HENRY	50	47
FED. ROAD DIST. NO. ILLINOIS FED. AID PROJECT			CONTRACT NO. 64063	