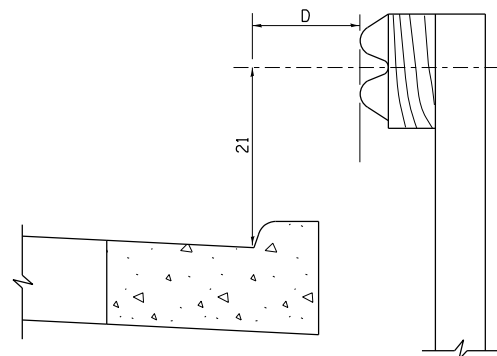
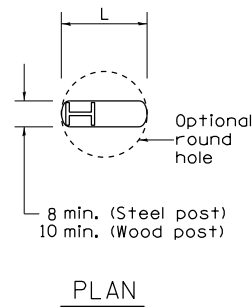


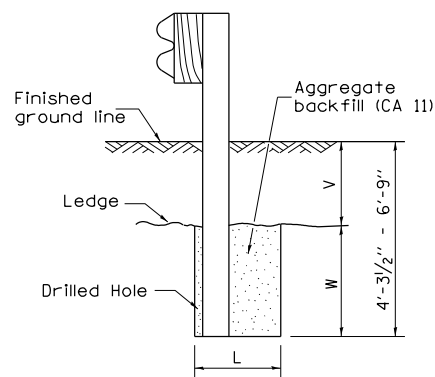
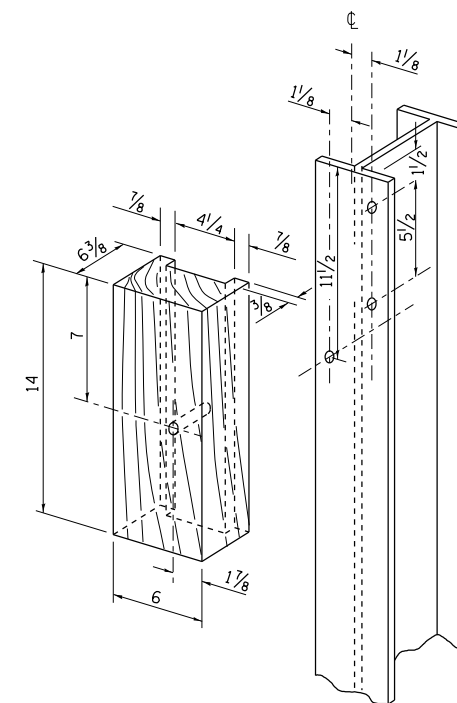
REMOVE AND REERECT STEEL PLATE BEAM GUARDRAIL



Note:
If it is necessary for D to be more than 12 and less than 10'-0" type M-2 curb and gutter (Std. 606001) shall be used in front of and in advance of the guardrail.

GUARDRAIL PLACED BEHIND CURB

(D = 0 desirable to 12 maximum)

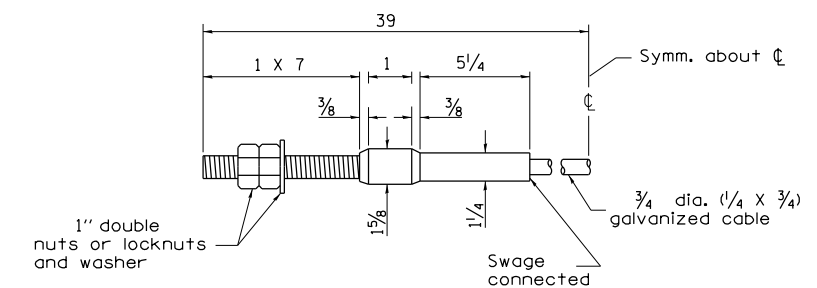


Note:
Ledge line is top of rock ledge or hard slag fill.

ELEVATION

FOOTING FOR POST WHEN IMPERVIOUS MATERIAL IS ENCOUNTERED

V	W	L	
		Steel Post	Wood Post
0 - 18	24	21	23
>18 - 41.5	12	8	10
>41.5 - 53.5	12 - 0	8	10



CABLE ASSEMBLY

(40,000 lbs. min. breaking strength)
Tighten to taut tension.

FILE NAME =	USER NAME = grantpm	DESIGNED -	REVISED - 10-18-11
ca:\pwork\pwork\grantpm\d0340191\200811-sht-details.dgn		DRAWN -	REVISED -
	PLOT SCALE = 100.000 / in.	CHECKED -	REVISED -
	PLOT DATE = Tue Aug 19 14:53:25 2014	DATE -	REVISED -

STATE OF ILLINOIS
DEPARTMENT OF TRANSPORTATION

REGION 2 / DISTRICT 2 STANDARD

SCALE: SHEET NO. OF SHEETS STA. TO STA.

F.A.I. RTE.	SECTION	COUNTY	TOTAL SHEETS	SHEET NO.
80	(37-2,3) RS-3	HENRY	50	49
FED. ROAD DIST. NO. ILLINOIS FED. AID PROJECT			CONTRACT NO. 64063	