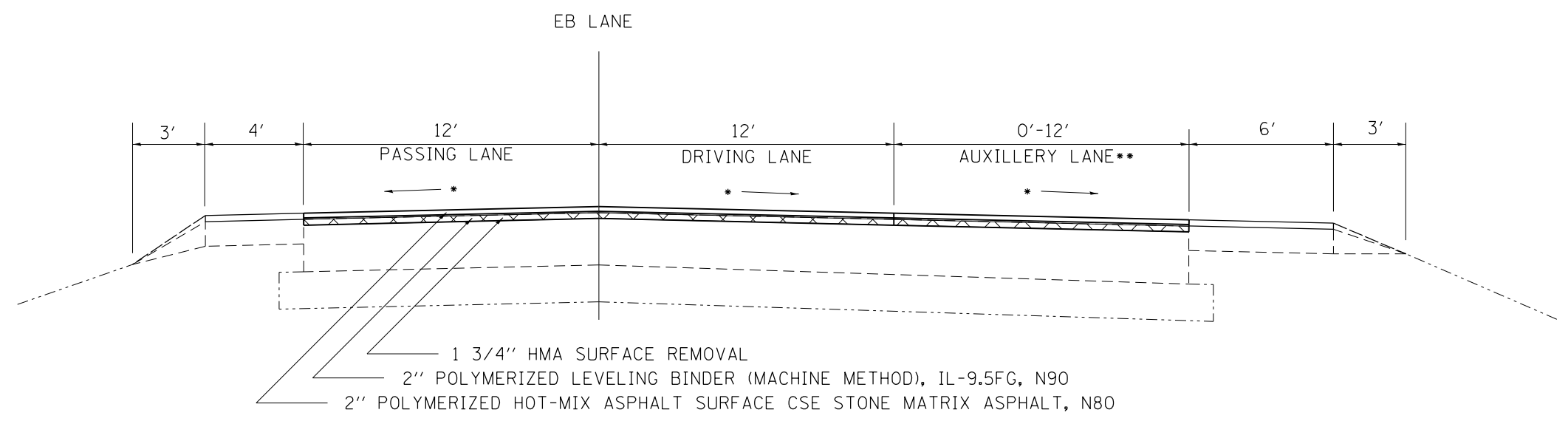
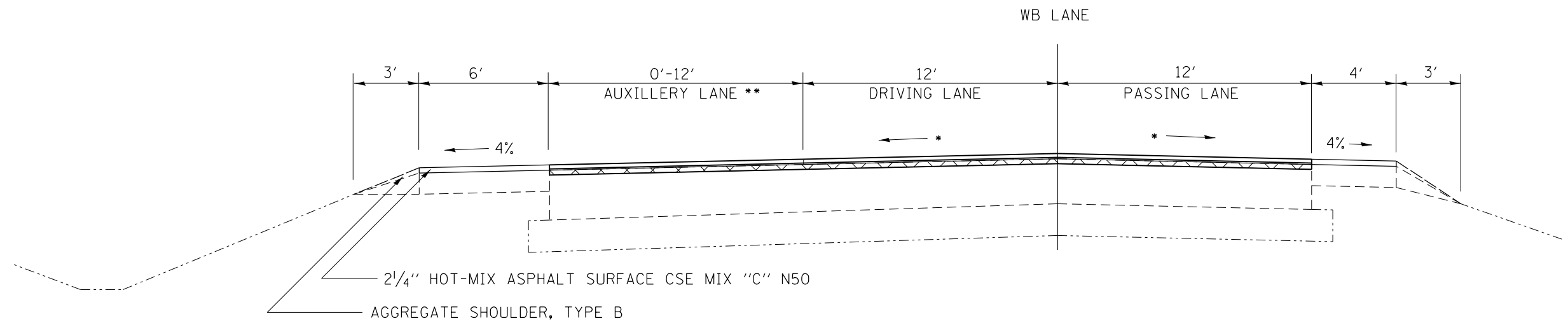


TYPICAL SECTIONS

PROPOSED MAINLINE
1 3/4" GRINDING



*MATCH EXISTING (MINIMUM 1/8"/FT)
**SEE SCHEDULE FOR LOCATIONS

FILE NAME =	USER NAME = grantpm	DESIGNED -	REVISED -	STATE OF ILLINOIS DEPARTMENT OF TRANSPORTATION	TYPICAL SECTIONS				F.A.I. RTE.	SECTION	COUNTY	TOTAL SHEETS	SHEET NO.
c:\pwork\pwork\grantpm\d0310501\0200711-sh-typical.dgn		DRAWN -	REVISED -		80	(37-4.5,6)RS-2	HENRY	80	14				
Default	PLOT SCALE = 100.0000' / 1in.	CHECKED -	REVISED -		CONTRACT NO. 64064				ILLINOIS FED. AID PROJECT				
	PLOT DATE = Fri Aug 22 08:49:41 2014	DATE -	REVISED -		SCALE:	SHEET	OF	SHEETS	STA.	TO	STA.		