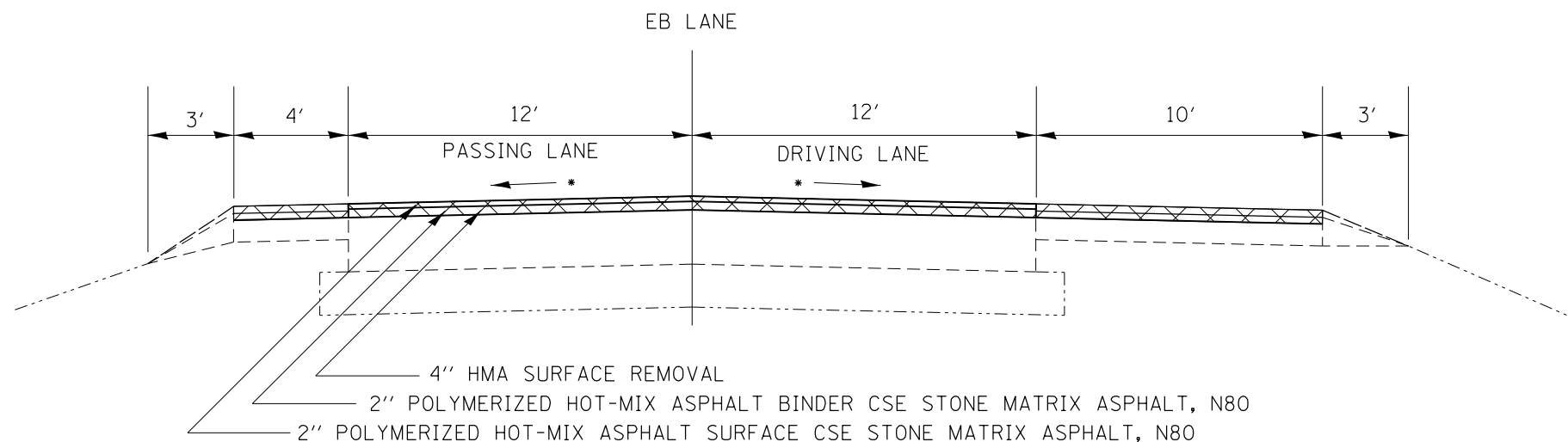
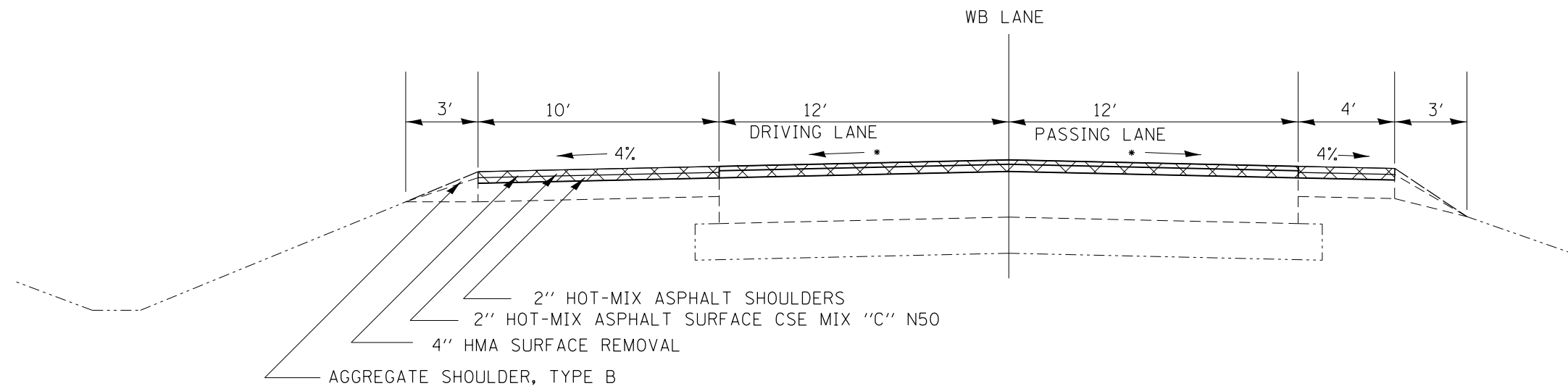


TYPICAL SECTIONS

PROPOSED MAINLINE
4" GRINDING***



*MATCH EXISTING (MINIMUM 1/8"/FT)

***UNDER OVERHEAD STRUCTURES AND
ADJACENT TO CONCRETE CROSSOVERS

FILE NAME =	USER NAME = grantpm	DESIGNED -	REVISED -	STATE OF ILLINOIS DEPARTMENT OF TRANSPORTATION	TYPICAL SECTIONS				F.A.I. RTE.	SECTION	COUNTY	TOTAL SHEETS	SHEET NO.
c:\pwork\pwork\grantpm\d0310501\0200711-sh-typical.dgn		DRAWN -	REVISED -		80	(37-4,5,6)RS-2	HENRY	80	16				
Default	PLOT SCALE = 100.0000' / in.	CHECKED -	REVISED -		CONTRACT NO. 64064								
	PLOT DATE = Fri Aug 22 08:58:15 2014	DATE -	REVISED -		SCALE:	SHEET	OF	SHEETS	STA.	TO	STA.	ILLINOIS FED. AID PROJECT	