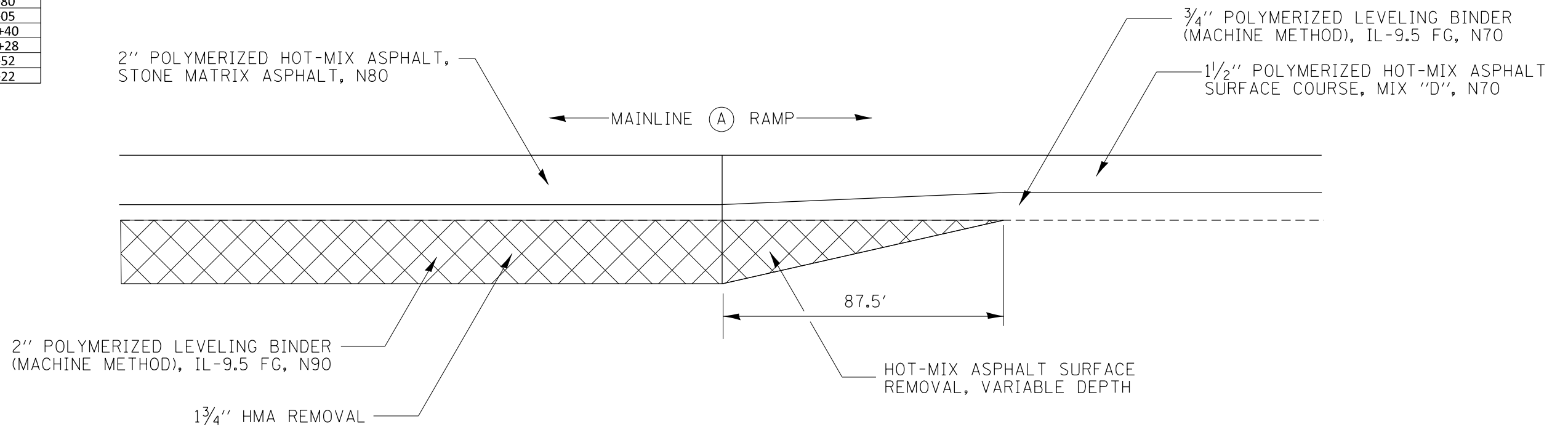


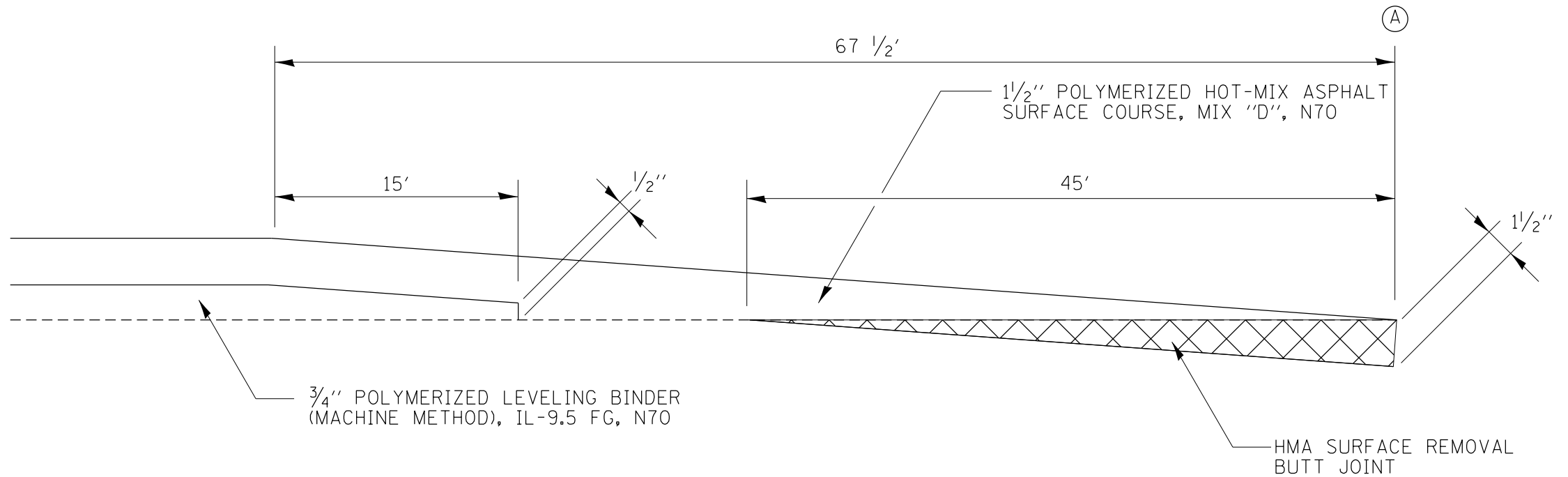
A	RAMP LOCATION
EB I-80 TO IL 82	STA 22+64
IL 82 TO EB I-80	STA 36+97
WB I-80 TO IL 82	STA 14+25
IL 82 TO WB I-80	STA 4+05
EB I-80 TO ATKINSON RD	STA 60+00
ATKINSON RD TO EB I-80	STA 71+05
WB I-80 TO ATKINSON RD	STA 49+80
ATKINSON RD TO WB I-80	STA 41+05
EB I-80 TO IL 78	STA 100+40
IL 78 TO EB I-80	STA 210+28
WB I-80 TO IL 78	STA 90+52
IL 78 TO WB I-80	STA 81+22

TRANSITION FROM MAINLINE RESURFACING TO RAMP RESURFACING



HMA SURFACE REMOVAL – BUTT JOINTS (RAMPS)

A	RAMP LOCATION
EB I-80 TO IL 82	STA 32+98
IL 82 TO EB I-80	STA 30+18
WB I-80 TO IL 82	STA 23+61
IL 82 TO WB I-80	STA 8+26
EB I-80 TO ATKINSON RD	STA 72+75
ATKINSON RD TO EB I-80	STA 81+82
WB I-80 TO ATKINSON RD	STA 61+51
ATKINSON RD TO WB I-80	STA 49+69
EB I-80 TO IL 78	STA 111+84
IL 78 TO EB I-80	STA 200+26
WB I-80 TO IL 78	STA 102+35
IL 78 TO WB I-80	STA 91+55



FILE NAME =	USER NAME = grantpm	DESIGNED -	REVISED -
c:\pwork\pwork\grantpm\0310501\0200711-sh-typical.dgn		DRAWN -	REVISED -
		CHECKED -	REVISED -
		DATE -	REVISED -

**STATE OF ILLINOIS
DEPARTMENT OF TRANSPORTATION**

TYPICAL SECTIONS

SCALE: SHEET OF SHEETS STA. TO STA.

F.A. RTE.	SECTION	COUNTY	TOTAL SHEETS	SHEET NO.
80	(37-4.5,6)RS-2	HENRY	80	20
CONTRACT NO. 64064				
ILLINOIS FED. AID PROJECT				