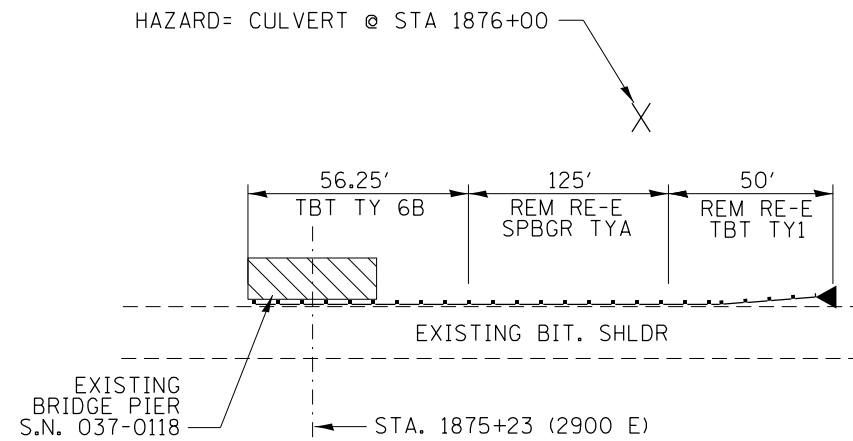
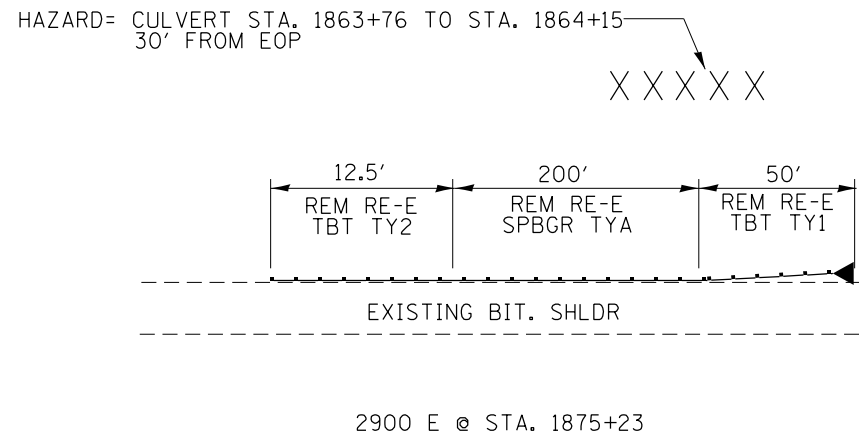


# WESTBOUND GUARDRAIL

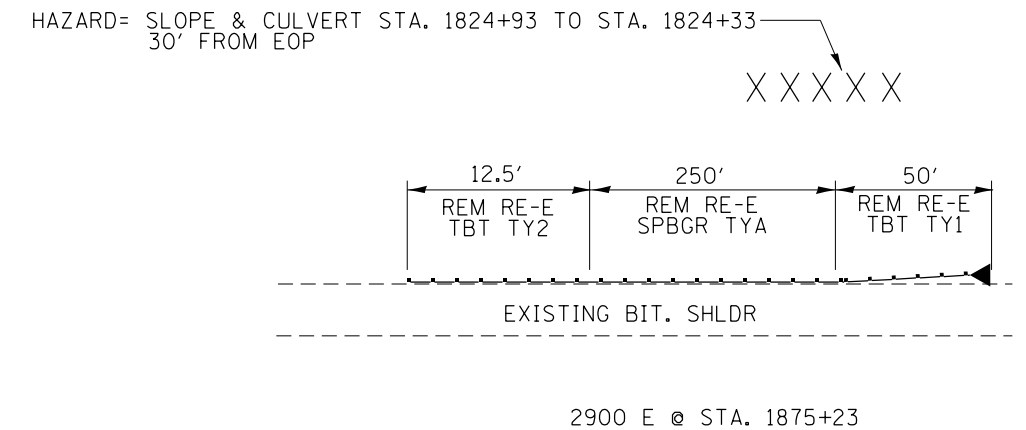
OUTSIDE STA. 1877+49.75 TO STA 1875+18.50



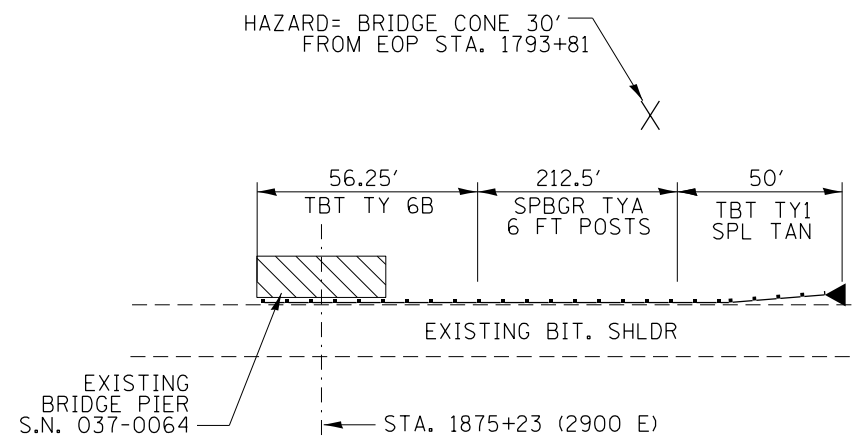
OUTSIDE STA 1866+47 TO STA 1863+84.5



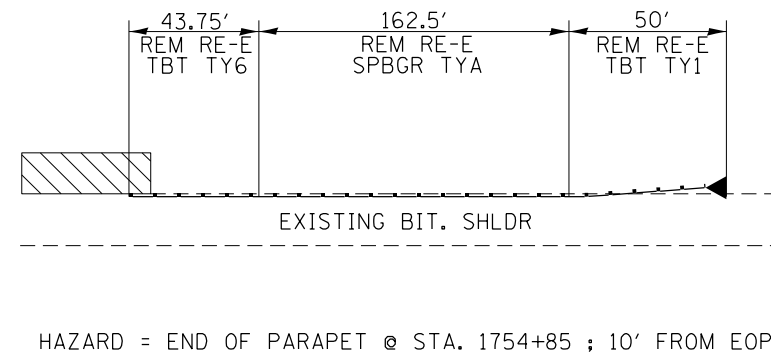
OUTSIDE STA 1828+05.50 TO STA 1824+93



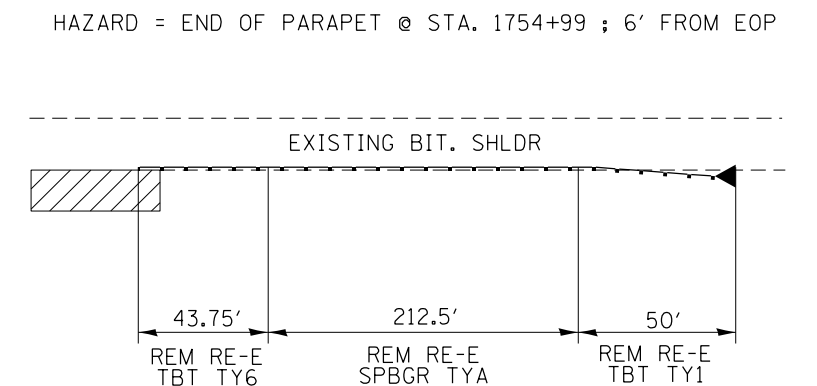
OUTSIDE STA. 1796+45.25 TO STA 1793+26.50



OUTSIDE STA 1757+91.25 TO STA 1754+85



INSIDE STA 1758+05.25 TO STA 1754+99



(37-4,5,6) RS-2

FILE NAME =	USER NAME = grantpm	DESIGNED -	REVISED -	<b>STATE OF ILLINOIS DEPARTMENT OF TRANSPORTATION</b>	<b>GUARDRAIL DETAILS</b>			F.A.I. R.T.E.	SECTION	COUNTY	TOTAL SHEETS	SHEET NO.
Default	11-shd-details.dgn	DRAWN -	REVISED -					80	*	HENRY	80	41
	PLOT SCALE = 100.0000' / 1in.	CHECKED -	REVISED -		CONTRACT NO. 64664							
	PLOT DATE = Thu Aug 21 13:18:36 2014	DATE -	REVISED -		ILLINOIS FED. AID PROJECT							
				SCALE:	SHEET	OF	SHEETS	STA.	TO	STA.		