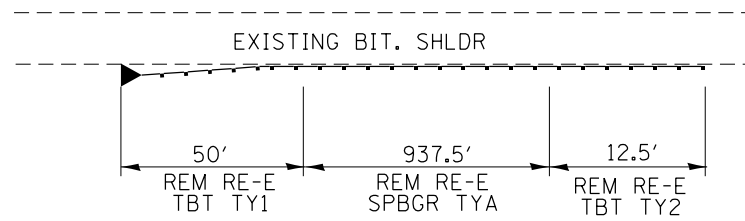


EASTBOUND GUARDRAIL

OUTSIDE STA. 1570+26 TO STA 1580+26

2350 E @ STA. 1558+25

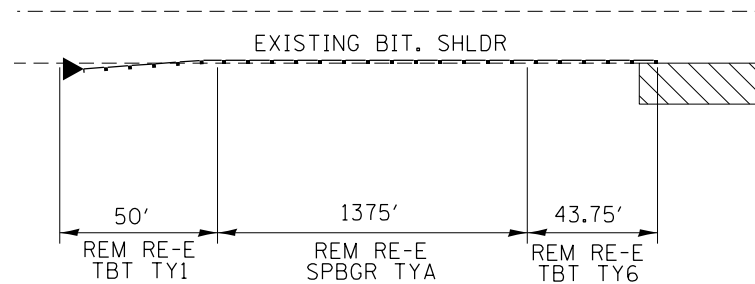


X X X X X

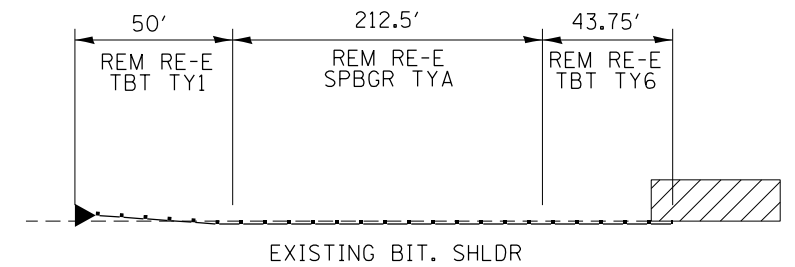
HAZARD= SLOPE STA. 1573+29 TO STA 1580+30
30' FROM EOP

OUTSIDE STA. 1595+56.25 TO STA. 1610+25

HAZARD = END OF PARAPET @ STA 1610+25 ; 10' FROM EOP



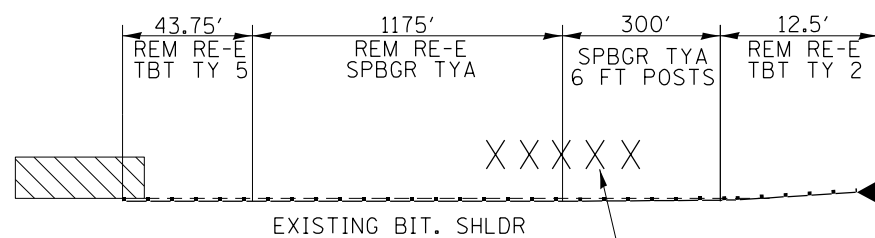
INSIDE STA 1607+00.75 TO STA 1610+07



HAZARD = END OF PARAPET @ STA 1610+07 ; 6' FROM EOP

OUTSIDE STA 1613+11 TO STA 1628+13

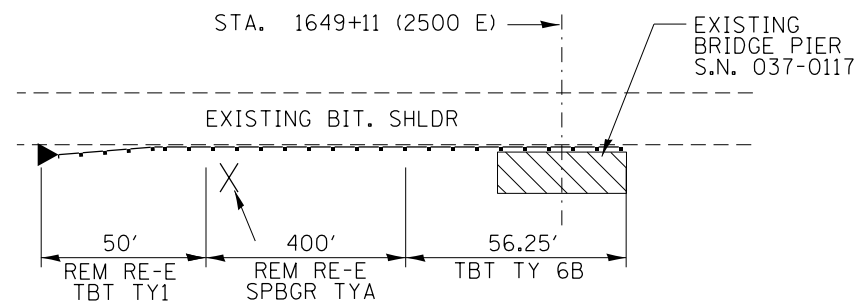
END OF PARAPET = STA. 1613+11



X X X X X

HAZARD= SLOPE STA. 1613+11 TO STA 1628+36
30' FROM EOP

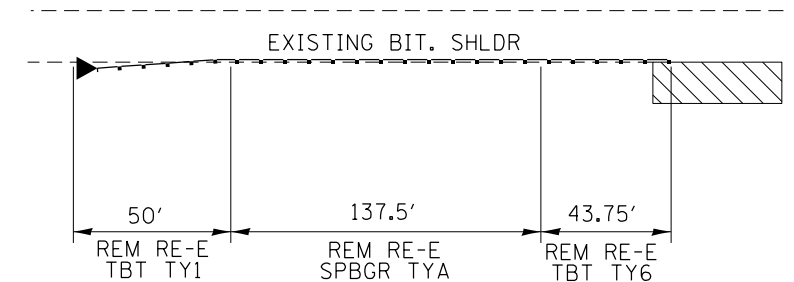
OUTSIDE STA. 1644+09.25 TO STA. 1649+15.50



HAZARD= PIPE CULVERT @ STA 1645+92 18' FROM EOP
NOTE: SPACE POSTS TO MISS THE PIPE CULVERT

OUTSIDE STA. 1751+58.75 TO STA. 1753+90

HAZARD = END OF PARAPET @ STA 1753+90 ; 12' FROM EOP



(37-4,5,6) RS-2

FILE NAME =	USER NAME = grantpm	DESIGNED -	REVISED -	STATE OF ILLINOIS DEPARTMENT OF TRANSPORTATION	GUARDRAIL DETAILS			F.A.I. R.T.E.	SECTION	COUNTY	TOTAL SHEETS	SHEET NO.
c:\pwork\work\pwork\grantpm\d0310501\020011-shd-details.dgn	11-shd-details.dgn	DRAWN -	REVISED -					80	*	HENRY	80	50
Default	PLOT SCALE = 100.0000' / 1in.	CHECKED -	REVISED -		SCALE: SHEET OF SHEETS STA. TO STA.			CONTRACT NO. 64064				
	PLOT DATE = Thu Aug 21 13:20:46 2014	DATE -	REVISED -		ILLINOIS FED. AID PROJECT							