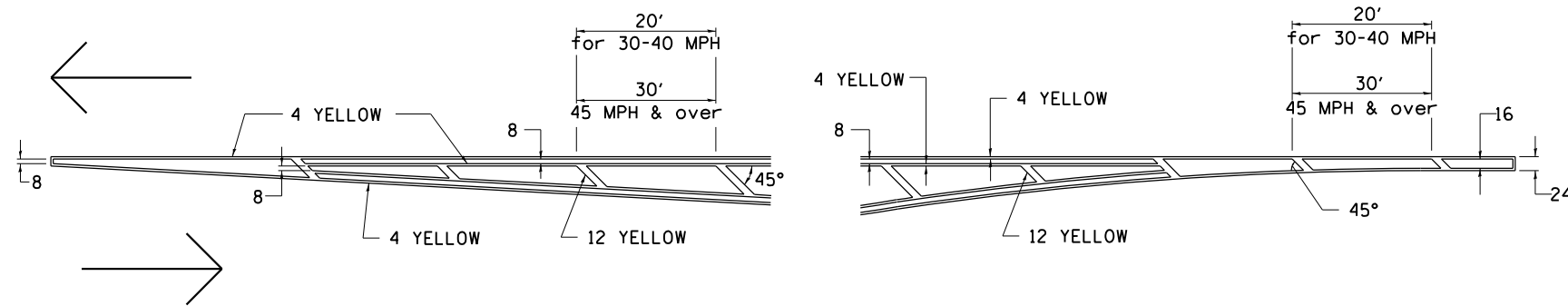
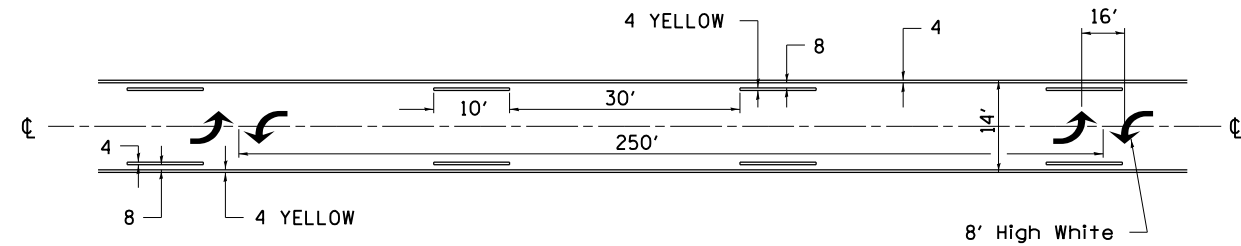


TYPICAL PAVEMENT MARKINGS

TYPICAL PAVEMENT MARKING FOR FLUSH MEDIAN AT LEFT TURN LANE

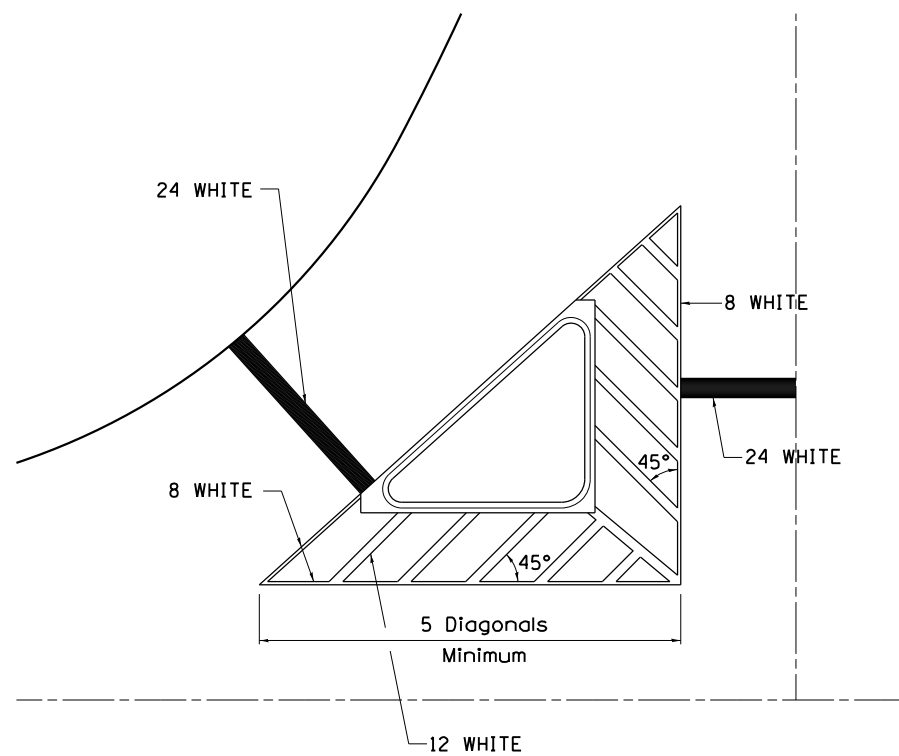


MEDIAN PAVEMENT MARKING



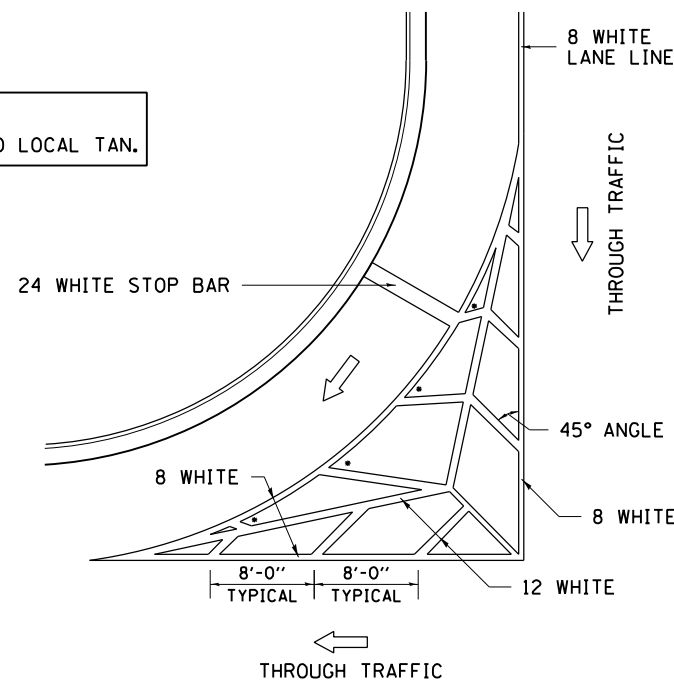
•• ALL DIMENSIONS ARE IN INCHES UNLESS OTHERWISE NOTED.

TYPICAL ISLAND OFFSET SHOULDER WIDTH



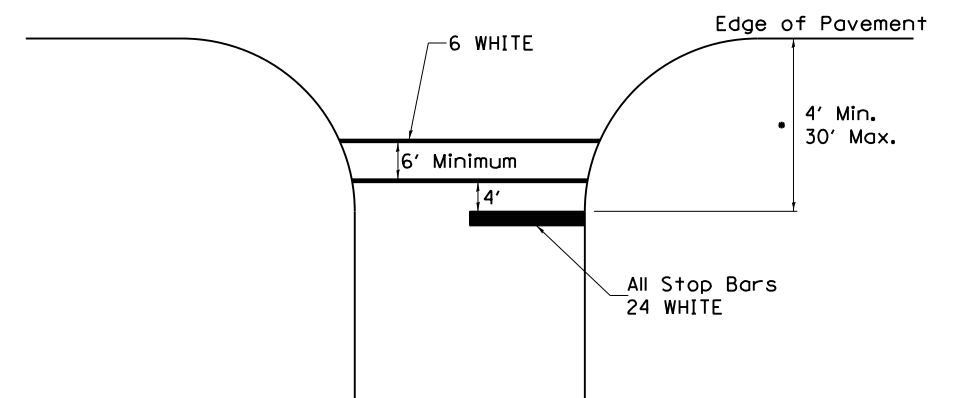
TYPICAL MARKING FOR PAINTED ISLANDS

NOTE:
* 45° TO LOCAL TAN.



STANDARD CROSSWALK MARKING

See Schedules for Locations



• Distance to the nearest edge of the intersecting roadway in the absence of a marked crosswalk.

• (37-4,5,6) RS-2

| | | | |
|---|--------------------------------------|------------|-------------------|
| FILE NAME = | USER NAME = grantpm | DESIGNED - | REVISED - 6-27-14 |
| ca:\pwork\work\pwork\grantpm\d0310501\0200711-shd-details.dgn | 11-shd-details.dgn | DRAWN - | REVISED - 3-05-12 |
| | PLOT SCALE = 100.0000' / in. | CHECKED - | REVISED - |
| | PLOT DATE = Thu Aug 21 13:16:20 2014 | DATE - | REVISED - |

STATE OF ILLINOIS
DEPARTMENT OF TRANSPORTATION

REGION 2 / DISTRICT 2 STANDARD

SCALE: SHEET NO. OF SHEETS STA. TO STA.

| | | | | |
|---|---------|--------|--------------------|-----------|
| F.A.I. RTE. | SECTION | COUNTY | TOTAL SHEETS | SHEET NO. |
| 80 | * | HENRY | 80 | 72 |
| FED. ROAD DIST. NO. ILLINOIS FED. AID PROJECT | | | CONTRACT NO. 64064 | |