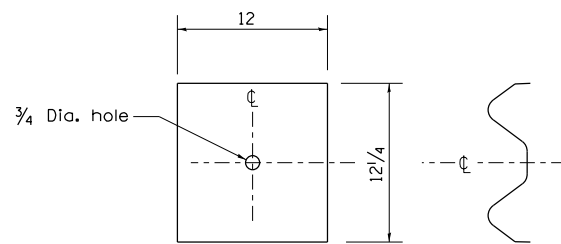
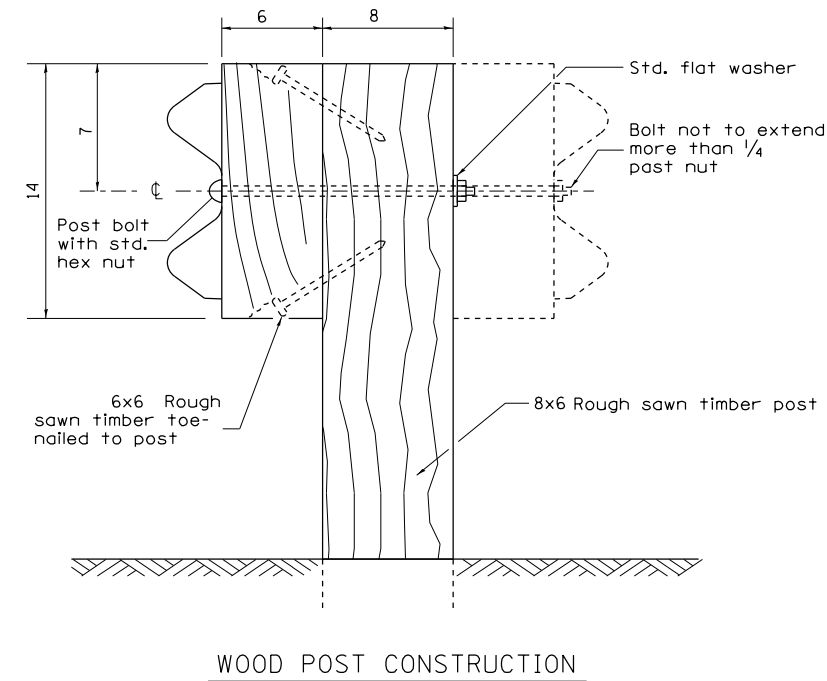
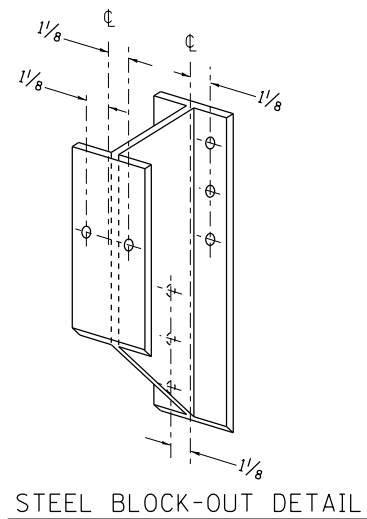
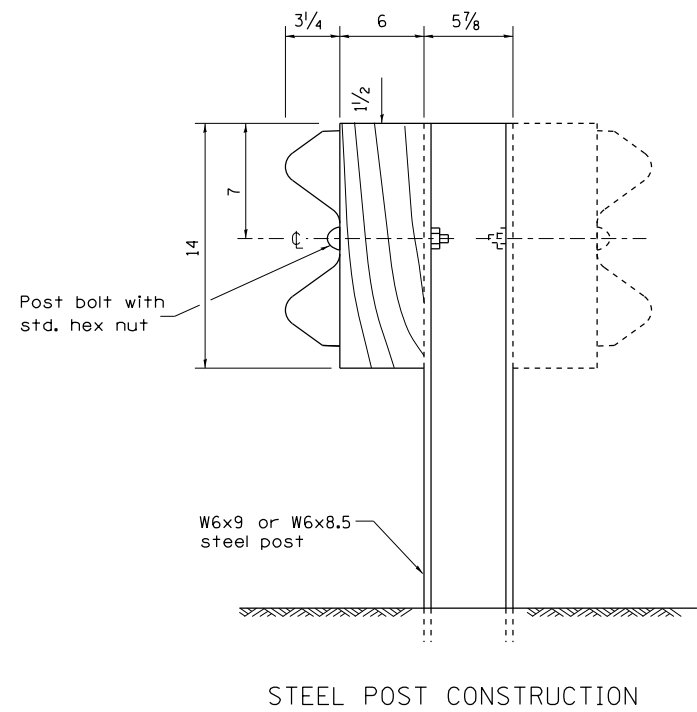


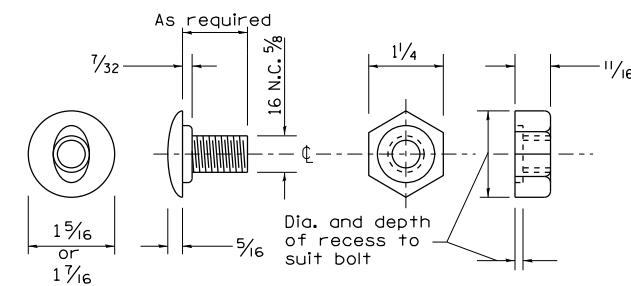
REMOVE AND REERECT STEEL PLATE BEAM GUARDRAIL



NOTE

Plate A shall be placed between rail element and block-out at non-splice mounting points only when steel block-outs are used.

PLATE A



(37-4,5,6) RS-2

FILE NAME =	USER NAME = grantpm	DESIGNED -	REVISED - 10-18-11
ca:\pwork\pwork\grantpm\d0310501\0200711-shd-details.dgn		DRAWN -	REVISED -
	PLOT SCALE = 100.0000' / in.	CHECKED -	REVISED -
	PLOT DATE = Thu Aug 21 13:17:33 2014	DATE -	REVISED -

STATE OF ILLINOIS
DEPARTMENT OF TRANSPORTATION

REGION 2 / DISTRICT 2 STANDARD

SCALE: SHEET NO. OF SHEETS STA. TO STA.

F.A.I. RTE.	SECTION	COUNTY	TOTAL SHEETS	SHEET NO.
80	*	HENRY	80	77
FED. ROAD DIST. NO. ILLINOIS FED. AID PROJECT			CONTRACT NO. 64064	