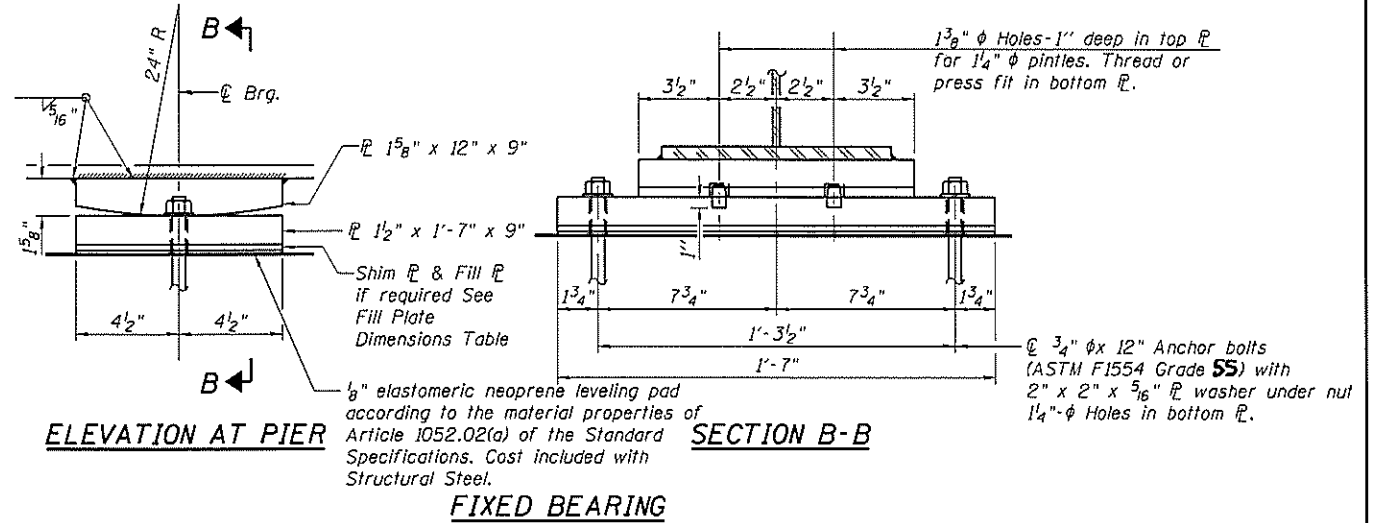


ELEVATION AT ABUT.

SECTION A-A

TYPE I ELASTOMERIC EXP. BRG.

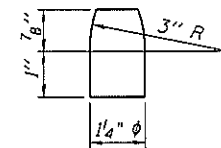
4 - 1" ϕ x 12" Anchor bolts (ASTM F1554 Grade 55) with 2 1/4" x 2 1/4" x 5/16" ϕ washer under nut



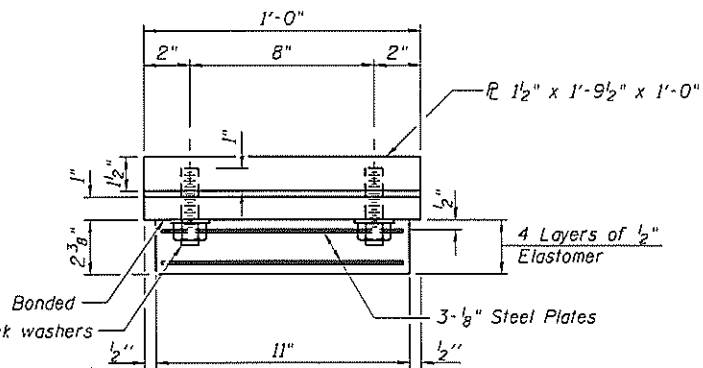
ELEVATION AT PIER

SECTION B-B

FIXED BEARING



PINTLE



BEARING ASSEMBLY

See Section A-A for 3/4" ϕ Threaded Studs in Top Plate

Note:

Shim plates shall not be placed under Bearing Assembly.

2 - 3/4" ϕ H.S. Bolts w/ lock washers (Typ. each side)
(Coat bolts with anti-seize compound)
Tapped holes in top ϕ :
7/8" ϕ holes in bearing ϕ , typ.

Notes:

The structural steel plates of the Bearing Assembly shall conform to the requirements of AASHTO M 270 Grade 50W.

Anchor bolts shall be ASTM F1554 all-thread (or an Engineer-approved alternate material) of the grade(s) and diameter(s) specified. The corresponding specified grade of AASHTO M314 anchor bolts may be used in lieu of ASTM F1554.

Anchor bolts at fixed bearings to be installed in holes drilled after the supported member is in place.

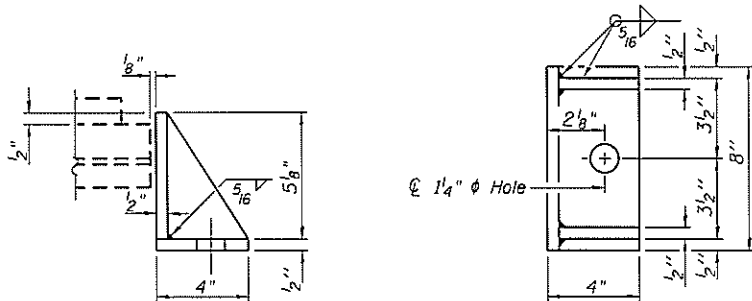
Anchor bolts for side retainers to be installed in holes drilled before or after members are in place.

Drilled and set anchor bolts shall be installed according to Article 521.06 of the Standard Specifications.

Side retainers and other steel members required for the elastomeric bearing assembly shall be included in the cost of Elastomeric Bearing Assembly, Type I.

Two 1/8 in. adjusting shims shall be provided for each bearing in addition to all other plates or shims and placed as shown on bearing details.

H.S. bolts in bearing assembly shall be galvanized according to AASHTO M298 Class 50.



SIDE RETAINER

Equivalent rolled angle with stiffeners will be allowed in lieu of welded plates.

FILL PLATE DIMENSIONS

Beam	W. Abut.	Pier 1	Pier 2	E. Abut.
1	-	-	-	-
2	-	-	-	-
3	1/2" x 1'-9 1/2" x 1'-0"	-	1/8" x 1'-7" x 9"	1/8" x 1'-9 1/2" x 1'-0"
4	1/8" x 1'-9 1/2" x 1'-0"	1/8" x 1'-7" x 9"	-	1/2" x 1'-9 1/2" x 1'-0"
5	-	-	-	-
6	-	-	-	-

BILL OF MATERIAL

Item	Unit	Total
Elastomeric Bearing Assembly, Type I	Each	12
Anchor Bolts, 3/4"	Each	24
Anchor Bolts, 1"	Each	24