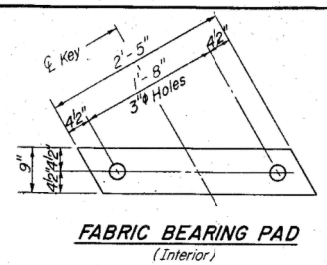
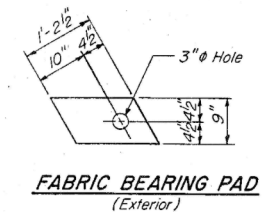


STATE OF ILLINOIS  
DEPARTMENT OF TRANSPORTATION

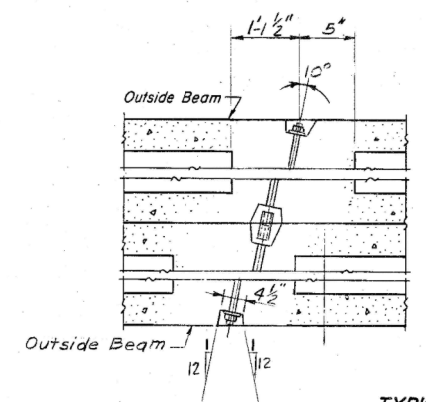
ROUTE NO.	SECTION	COUNTY	TOTAL SHEETS	SHEET NO.
25	38 BR	IROQUOIS	22	8
SHEET NO. 2 4 SHEETS				



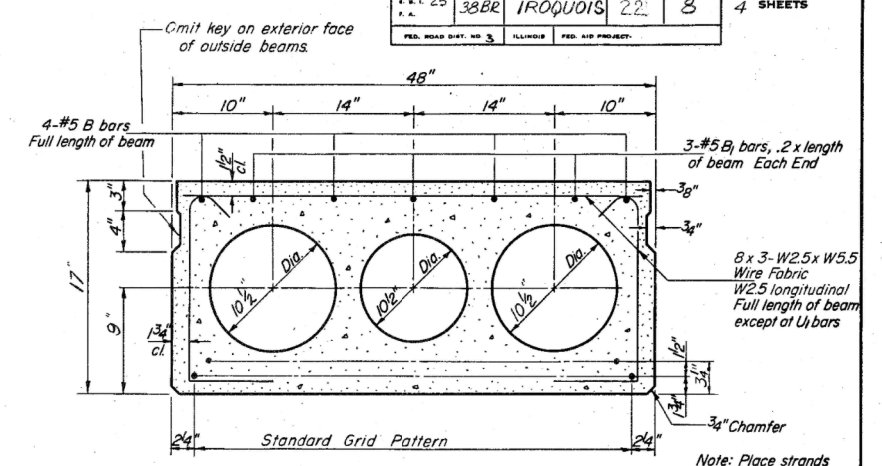
FABRIC BEARING PAD  
(Interior)



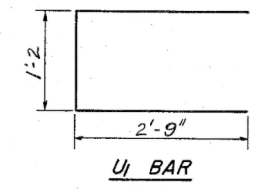
FABRIC BEARING PAD  
(Exterior)



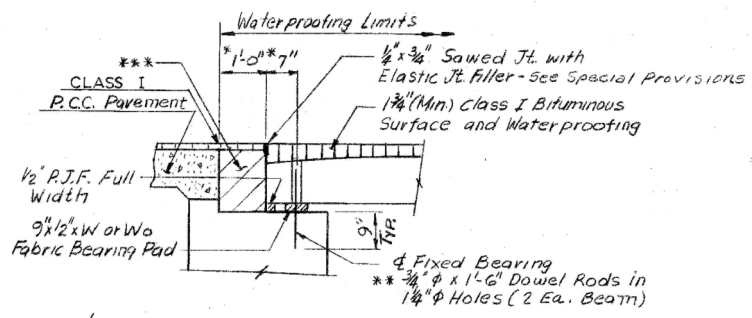
TYPICAL TRANSVERSE TIE ASSEMBLY



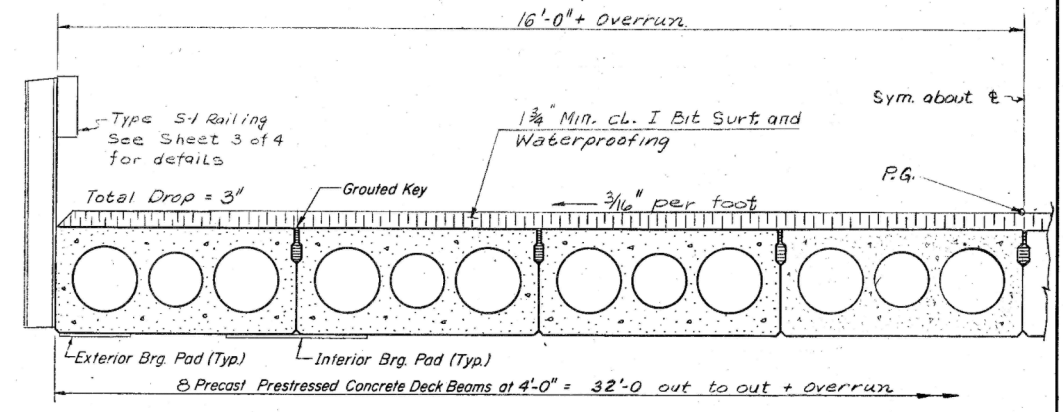
TYPICAL SECTION  
17 - 1/2" Strands, Each Strand Stressed to 28,900 Lbs.  
7 - Strands 1 3/4" up, 10 - Strands 3/4" up.



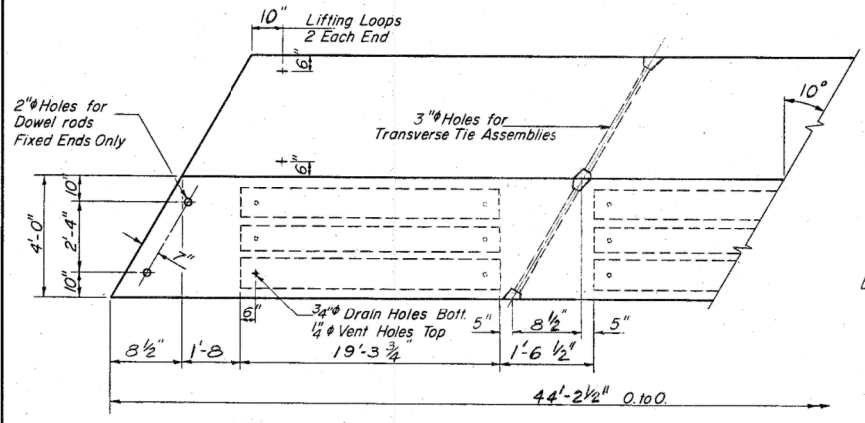
U1 BAR



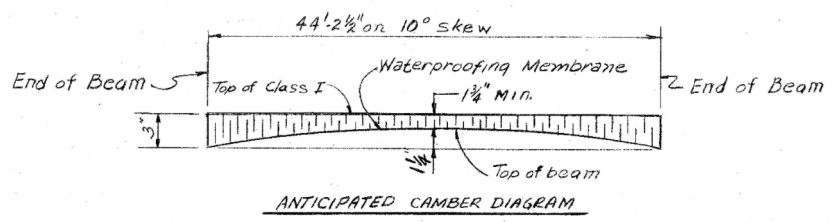
SECTION THRU ABUTMENT (TYP)  
\* Measured at right angle to Abutment  
\*\* Dowel rod to be grouted after beam are in place and allowed to cure (Min. 24 Hrs) prior to grouting the shear keys.



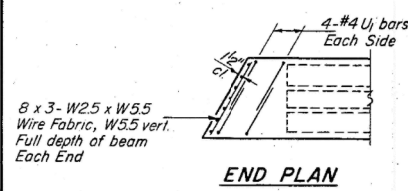
HALF CROSS SECTION



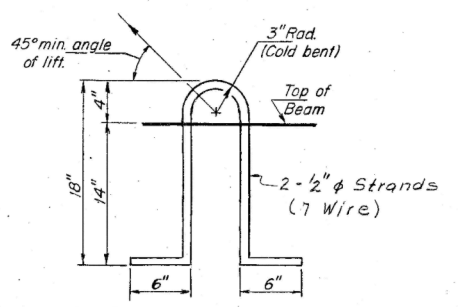
PLAN



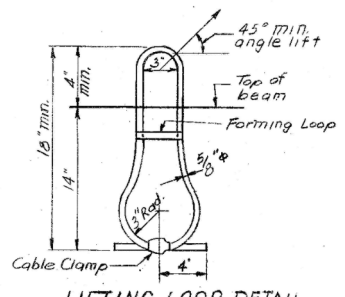
ANTICIPATED CAMBER DIAGRAM



END PLAN



LIFTING LOOP DETAIL  
Alternate (1)



LIFTING LOOP DETAIL  
Alternate (2)

NOTES

Prestressing steel shall be non-galvanized high strength, stress-relieved 7-wire strand, Grade 270. The nominal diameter shall be 1/2" and the nominal cross-sectional area shall be 0.153 sq. in. Lifting loops shall be 3/8" diameter, 6 x 25 class wire rope with fiber core and shall have a minimum ultimate tensile strength of 33,000 lbs. or 2-1/2" - 270 ksi strands, as shown. The 1" rods in the transverse tie assembly shall be tightened to a snug fit and the threads set. Pockets that receive transverse tie bar on outside shall be filled with grout after transverse tie assembly is in place. Reinforcement bars shall conform to AASHTO M-318M-48M-53, Grade 60. The bearing seat surfaces shall be adjusted by shimming to assure firm and even bearing. Two 1/2" fabric adjusting shims of the dimensions of the Exterior Bearing Pad shall be provided for each bearing. Keyway surfaces shall be cleaned to remove form oil or other bond breaking material prior to shipment of the beams. Cleaning shall be done by sandblasting the keyway areas between top of the beam and the bottom edge of the key. A Calcium Nitrite Corrosion Inhibitor, as covered in the Special Provisions, shall be used in the concrete for precast prestressed concrete deck beams. Required Release Strength, f'ci, shall be 4000 p.s.i. An equal substitution of the low-relaxation strands for the stress-relieved strands will be permitted.

BILL OF MATERIAL

Bar	No.	Size	Length	Shape
Precast Prestressed Concrete Deck Beams		Sq. Ft.	1415	
Class X Conc. Superstr.		Cu. yd.	3.6	

\*\*\* - Backwall concrete; for details, See Sht. 4 of 4

P.P.C. DECK BEAMS  
S.P.I. ROUTE 25 SECT. 38 BR  
IROQUOIS COUNTY  
STATION 500+53

DESIGNED	D.J.
CHECKED	W.E.K.
DRAWN	P. WABONSKY
CHECKED	AJM

PD-4-L 4-15-83