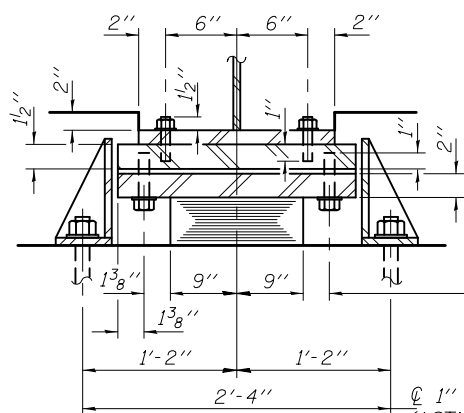
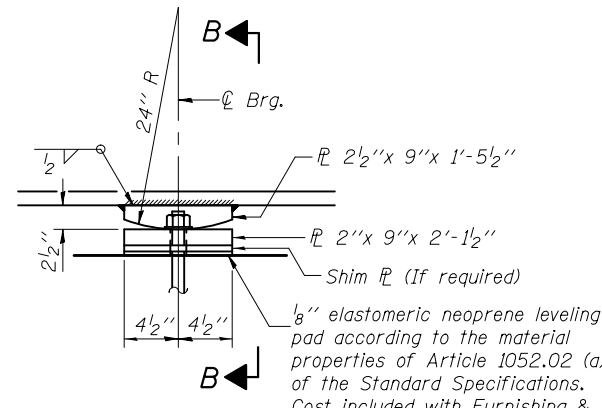


ELEVATION AT ABUTMENTS

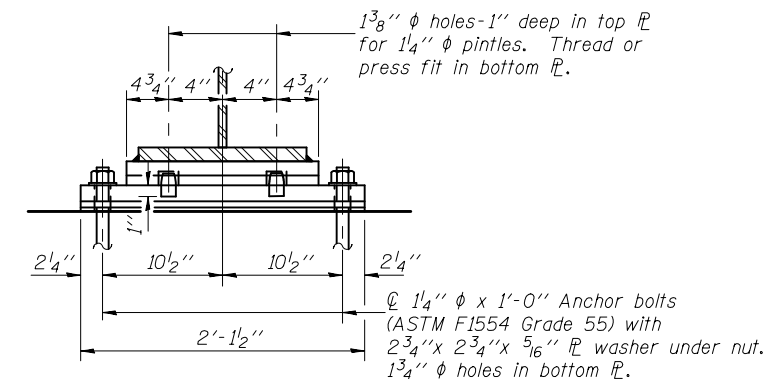


SECTION A-A

2-3/4" ϕ H.S. bolts with lock washers, typ. ea. side. (Coat bolts with anti-seize compound) Tapped holes in top \mathbb{P} . 7/8" ϕ holes in bearing \mathbb{P} .
 1" ϕ x 1'-0" Anchor bolts (ASTM F1554 Grade 55) with 2 1/4" x 2 1/4" x 5/16" \mathbb{P} washer under nut.



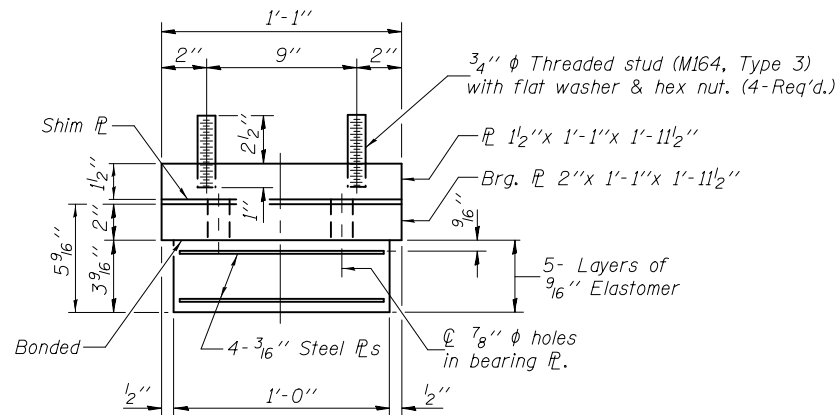
ELEVATION AT PIER



SECTION B-B

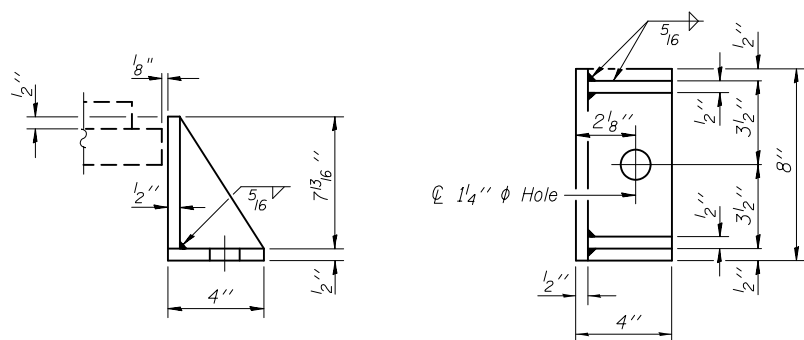
TYPE I ELASTOMERIC EXP. BRG.
(12 Required)

FIXED BEARING
(6 Required)



BEARING ASSEMBLY

Note: Shim plates shall not be placed under Bearing Assembly.



SIDE RETAINER

Equivalent rolled angle with stiffeners will be allowed in lieu of welded plates.

Notes:

Anchor bolts shall be ASTM F1554 all-thread (or an Engineer-approved alternate material) of the grade(s) and diameter(s) specified. The corresponding specified grade of AASHTO M314 anchor bolts may be used in lieu of ASTM F1554.

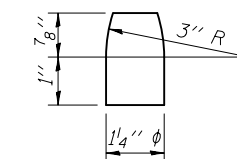
Anchor bolts at fixed bearings may be either cast in place or installed in holes drilled after the supported member is in place.

Drilled and set anchor bolts shall be installed according to Article 521.06 of the Standard Specifications.

The structural steel plates of the Bearing Assembly shall conform to the requirements of AASHTO M 270, Grade 50.

Two 1/8 in. adjusting shims shall be provided for each bearing in addition to all other plates or shims and placed as shown on bearing details.

Side retainers and other steel members such as shims and 1/2" plates required for the elastomeric bearing assembly shall be included in the cost of Elastomeric Bearing Assembly, Type I.



PINTLE
(M 270, Gr. 36)

BILL OF MATERIAL

Item	Unit	Total
Elastomeric Bearing Assembly Type I	Each	12
Anchor Bolts 1"	Each	24
Anchor Bolts 1 1/4"	Each	12

DESIGNED - Dewey H. Couitas
 CHECKED - Frank W. Sharpe
 DRAWN - h.t. duong
 CHECKED - DHC/FWS

EXAMINED - *Joanne F. [Signature]*
 ACTING ENGINEER OF BRIDGE DESIGN
 PASSED - *Carl [Signature]*
 ACTING ENGINEER OF BRIDGES AND STRUCTURES

DATE - OCTOBER 9, 2014
 REVISED
 REVISED

STATE OF ILLINOIS
DEPARTMENT OF TRANSPORTATION

BEARING DETAILS
STRUCTURE NO. 032-0124

SHEET NO. 18 OF 24 SHEETS

F.A.U. RTE.	SECTION	COUNTY	TOTAL SHEETS	SHEET NO.
5966	(32-2) HBR-6	GRUNDY	98	65

CONTRACT NO. 66B27
 ILLINOIS FED. AID PROJECT