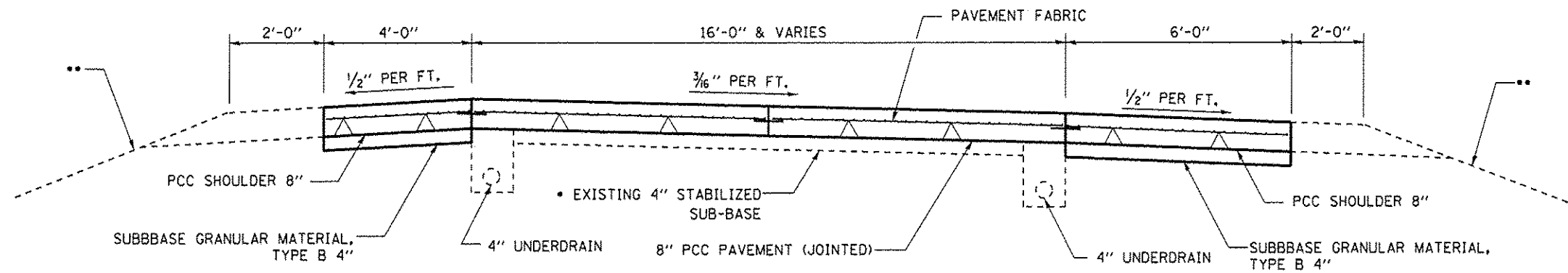


EXISTING TYPICAL SECTION

- LEGEND**
- 8" PCC PAVEMENT REMOVAL
 - 8" HMA SHOULDER REMOVAL
 - EARTH EXCAVATION



PROPOSED TYPICAL SECTION

- EXISTING STABILIZED SUBBASE IS TO REMAIN UNDISTURBED UNLESS UNSUITABLE FOR NEW PAVEMENT.
- GRADE AND SHAPE WITH EXCAVATED MATERIALS TO MATCH EXISTING SLOPE

FILE NAME =	USER NAME = woodshankr1	DESIGNED - HASAN AHMED	REVISED - 6/5/2014 H.A.	STATE OF ILLINOIS DEPARTMENT OF TRANSPORTATION	TYPICAL SECTIONS	F.A.I. RTE.	SECTION	COUNTY	TOTAL SHEETS	SHEET NO.	
ci:\pwwork\pwwidat\woodshankr1\d8368272	0365073-shs-details.dgn	DRAWN - HASAN AHMED	REVISED -			55	(53-DK)	LIVINGSTON	10	5	
	PLOT SCALE = 1/8" = 1'-0"	CHECKED - RON WOODSHANK	REVISED -			CONTRACT NO. 66073					
MODELNAME	PLOT DATE = 8/26/2014	DATE - 5/10/2014	REVISED -			ILLINOIS FED. AID PROJECT					
						SCALE: SHEET 1 OF 1 SHEETS STA. TO STA.					